



akpen®

New Line

TECHNICAL PRODUCT CATALOG

**UPVC & ALUMINIUM
WINDOW & DOOR
ACCESSORIES**

35^{yl}
years

www.akpennew.com





akpen[®]
New Line

“COOPERATION”



35 ^{vil}
years

www.akpennew.com

| | |
|-----------------------------|---------|
| INFO..... | 01-06 |
| TILT AND TURN SYSTEMS..... | 07-49 |
| TILT AND SLIDE SYSTEMS..... | 50-67 |
| MULTIPOINT LOCKS..... | 68-79 |
| TURN - ONLY SYSTEMS..... | 80-90 |
| MORTICE LOCKS..... | 91-97 |
| MINI LOCK SET..... | 98-99 |
| HINGES..... | 100-111 |
| HANDLES..... | 112-139 |
| SAFETY LATCHES..... | 140-141 |
| OTHER HANDLES..... | 142-145 |
| STRIKERS..... | 146-147 |
| MULLION CONNECTORS..... | 148-151 |
| LOCKING PLATES..... | 152 |
| TRANSOM GROUP..... | 153 |
| SLIDING ACCESSORIES | 154 |
| FLYSCREEN ACCESSORIES..... | 155 |
| SCREWS GROUP..... | 156 |
| INSULATING GLASS GROUP..... | 157 |
| OTHER ACCESSORIES..... | 158 |
| ALUMINIUM GROUP..... | 159-167 |



About Us

Our company started its activities with a small workshop in 1988. Nowadays, our company exports to 40 countries employing 370 people and manufacturing products in 26.000 square meters modern and high technology contained closed area factory located in Istanbul Hadimkoy.

Company Akpen, which has adopted the principle of Sustainable Quality Approach and Maximum Customer Satisfaction, has continued its investments in the field of automation and production technologies since 2010 and has become a brand frequently mentioned in the sector with its environmentally friendly high-tech production techniques and developed products.

With more than 30 years of manufacturing experience and experienced staff, it has achieved its goals. Akpen continues to lead his new targets without slowing down and is moving forward with sure steps towards becoming a worldwide known brand.



Akpen Plastik Pencere Aksesuarları Nakliye San. İç ve Dış Tic. A.Ş. proves its product and service quality with its national and international gained certificates and documents.

In case of any quality document needs; please contact with us.



Turn and turn-tilt fittings for windows and patio doors

According to the current product liability legislation dealing with a manufacturer's liability for his products please observe the following information on turn and turn-tilt fittings for window and patio door sashes. The manufacturer will not accept any liability for noncompliance with these specifications.

1. Product Information and intended use Turn and turn-tilt fittings within the meaning of this definition are single handle turn-tilt fittings for windows and patio doors as used in building applications. These interact with a manually operated handle to bring windows and window sashes into a turn or a tilt position as defined by the design of the shears. Turn and turn-tilt fittings are used on vertical installation windows and patio doors made of wood, PVC-U, aluminium or steel and corresponding combinations of materials. Standard turntilt fittings within the meaning of this definition are used for securing window and patio door sashes and to position them in different ventilation positions. Normally it is necessary to overcome the counter force of a seal when closing. Any other type of usage is not in accordance with the intended application. Windows and patio doors for special applications (i.e. burglarresistance or for installation in humid conditions / in environments with corrosive atmospheric substances) require special fittings with separately agreed performance criteria, designed for the particular application. Open window and patio door sashes only have a protective function and do not meet requirements in terms of joint sealing, watertightness under heavy rain, sound proofing, heat insulation or burglar resistance. When it is windy or draughty, windows and window sashes need to be closed and locked. Windy or draughty as used in this definition means conditions when window or patio door sashes open or close unexpectedly by themselves as a result of air pressure or suction. A fixed open position of the window or patio door sashes can only be achieved by means of supplementary locking fittings. Resistance to loads imposed by wind on closed and locked windows depends on the design and construction of the individual windows / patio doors concerned. If wind stresses to DIN EN 12210 (pressure level p3 in particular) have to be withstood, suitable combinations of fittings must be designed and agreed separately for the design of window and frame material concerned. In general, the turn and turn-tilt fittings are able to meet the requirements to DIN 18025 relating to low-threshold design of flats. However, in this case special combinations and assembly of fittings are needed which must be adjusted and approved separately.

2. Misuse

Misuse – i.e. the use of a product in a manner contrary to the manufacturer's instructions – of turn-tilt fittings for windows and patio doors occurs

- if obstacles are placed in the opening area preventing the intended use.
- if sashes of window / patio doors are pushed or hit against the window reveal, either contrary to the manufacturer's instructions or in an uncontrolled way (e.g. by wind), that the fittings, the frame materials or other individual parts of the window sash or the patio door sash are damaged or destructed or subsequent damage occurs.

- if additional loads act on the sashes of windows or patio doors (e. g. children swinging on them).
- if someone grasps in the gap between the frame and sash when closing the window (risk of injury).

3. Liability

All fittings must be selected from the original fitting component range. We accept no liability in case of use of third party or non-approved system components.

Attention: The screw / clamping connection of fitting components, such as corner, shear and sash hinges, must be designed according to the TBDK guidelines. Please adapt the fixing procedure to the load situation.

4. Product Capabilities - Application instructions of the manufacturer The maximum sash weights for the individual types of fitting must not be exceeded. The component with the lowest permissible loading capacity determines the maximum weight of the sash. Please observe the diagrams and component installation instructions.

4.1 Sash sizes and areas of application

The graphs in the application diagram show the permitted sash rebate height to width ratios, as determined by different weights of glass and/or overall glass thicknesses. The resulting sash rebate dimensions or sash formats (portrait / landscape) and the maximum sash weight must under no circumstances be exceeded.

4.2 Application diagram for determination of the permissible sash sizes The application diagrams for this fitting series for the determination of permissible sash sizes are described and explained separately on the following pages!

4.3 Composition of fittings

You must comply with the manufacturer's specifications regarding the configuration of fittings (e.g. the use of additional shears, the layout of fittings for burglary-resistant windows and patio door sashes, etc.).

5. Product maintenance

Security-relevant fitting parts are to be inspected at least once a year to check for wear and to ensure they are firmly secured in position. Fastening screws must be tightened and faulty components must be replaced as required. The following servicing work must also be carried out at least once a year. All mobile parts and locking points for fittings should be greased and tested for function. Only oils and greases not affecting the materials of the fitting may be used. The only cleaning and maintenance materials to be used are those which will not adversely affect the corrosion-resistant properties of the fittings components. Adjustment work to the fittings particularly in the area of the corner drive and the shears as well as the replacement of parts and mounting and removal of opening sashes must be carried out by a trained specialist. General product information

5.1 Maintaining surface quality

- The fittings and rebate spaces must be adequately ventilated, particularly during the construction stage, so that they are not exposed to the direct effects of moisture or condensation. It must be ensured in any case by appropriate measures that there is no possibility for (permanently) humid room air to condense in the

rebate area.

- The fittings must be kept free from deposits and soiling due to building materials (building dust, gypsum plaster, cement etc.). Possible soiling from plaster, mortar etc. must be removed prior to bonding with water.

- Corrosive vapours (e.g. formic acid, acetic acid, ammonia, amine and ammonia compounds, aldehydes, phenols, chlorine, tannic acid etc.) in the rebate space combined with even a small amount of condensation can cause rapid corrosion of the fittings. Therefore, such exhalations in the area of the windows must be avoided.

- Furthermore no sealants that cure with acetic or other acids, or sealants containing any of the above-mentioned substances, must be used. Both direct contact with the sealant and vapours released from it can damage the surface.

- Only use a mild and pH neutral detergent to clean the fittings. Under no circumstances use aggressive acidic cleaners or scouring agents containing the substances listed above.

6. Obligations to give information and instructions For the implementation of information and instruction obligations as well as for the maintenance work the following documents are available. They must be submitted to (intermediate) dealers and manufacturers and to the end customer. Planning documentation Product catalogues Mounting instructions Maintenance and care instructions as well as operating instructions

7. Use of type-related fittings

The variants for the individual fitting systems (e.g. tilt and tophung sash fittings or parallel action fittings providing an additional ventilation position by means of a circumferential gap all around the sash) must be used considering the product information, intended use, misuse, product capabilities, product maintenance and the obligations regarding the information and instruction.

8. Storage

Before the fitting components are assembled, they must be stored on a dry, protected and level surface.

Technical Support:

Akpen Plastik Pencere Aksesuarları
Nakliye Sanayi İç ve Dış Ticaret A.Ş.
Hadımköy Mah. Uçurtma Sk. No:6
Arnavutköy / İstanbul / Turkey
Phone : +90 212 798 34 34 PBX
Fax : +90 212 798 35 28
technicalsupport@akpennew.com

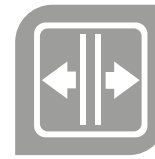
Storage & Warehouse Instructions



Do Not Stow The
Palettes
Rough-And-Tumble



Protection Against
Mechanic Damage



Leave 10cm Space
Between Palettes
When Loading And
Storage



Protection Against
Moisture

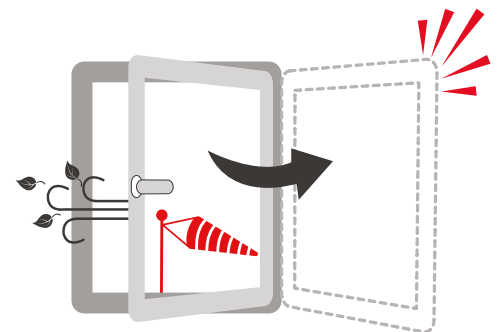
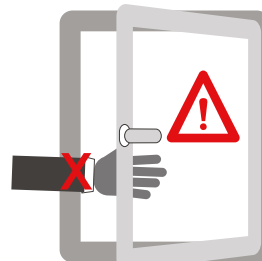
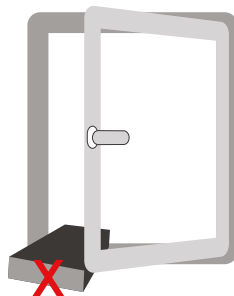
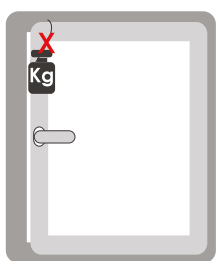


Protection Against
Dust And Dirth



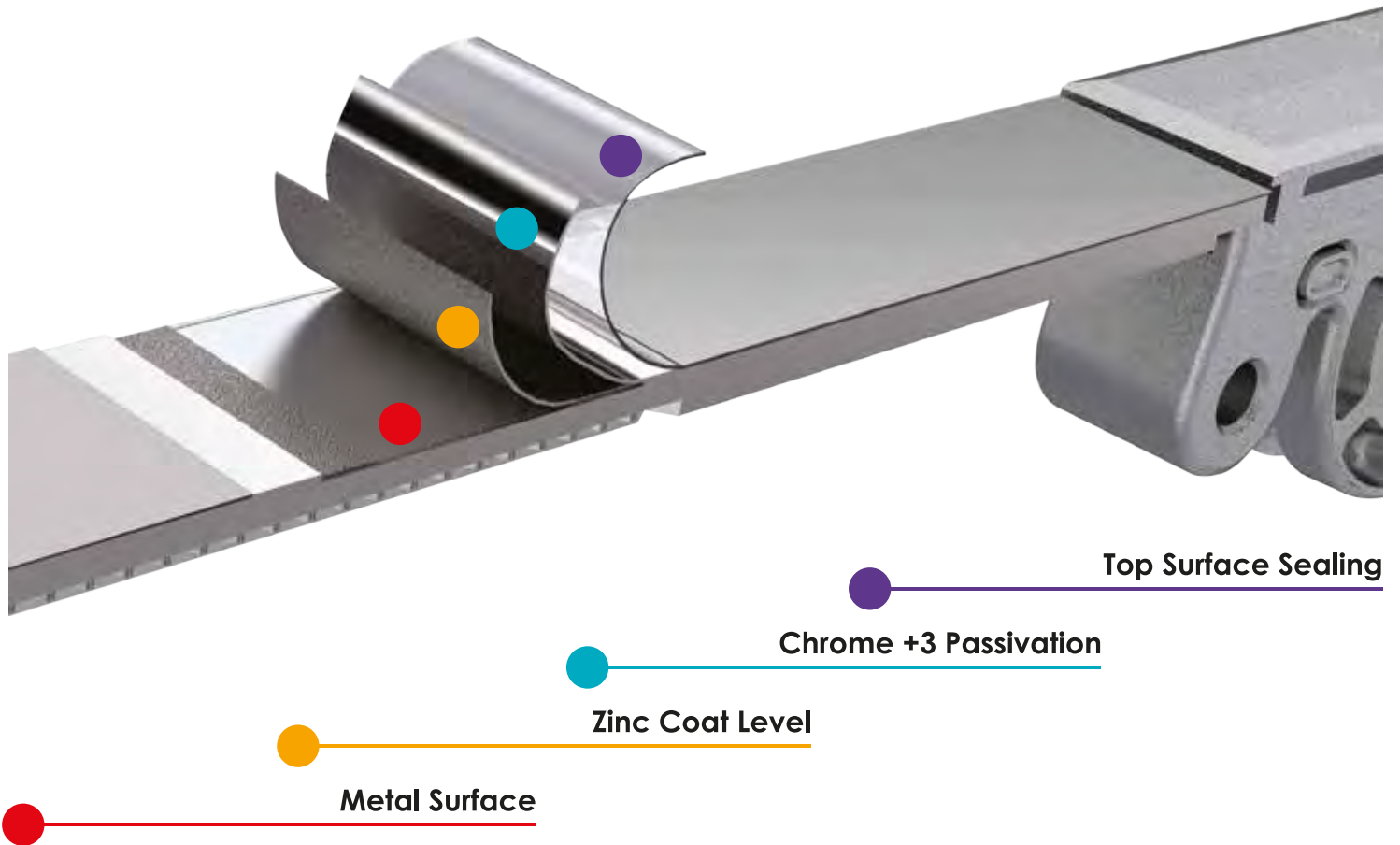
Recycle All Packing
Elements

Safety Instructions



Coating Process Information

Akpen products have maximum corrosion resistance according to EN 9727 standard.



Locking Type Options



ELP
Standard Locking Point



GLP
Security Locking Point



SLP
Sliding Locking Point

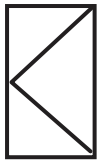


ZLP
Zinc Locking Point



Tilt And Turn Systems

Available Applications



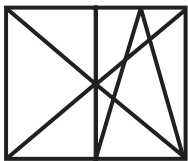
Turn Only



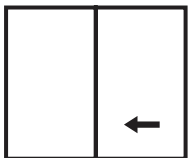
Tilt Only



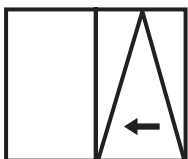
Tilt And Turn



Double Sash
(All Available)

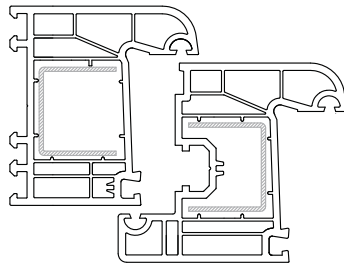


Simple Sliding

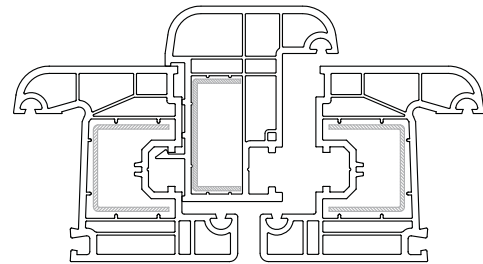


Tilt And Slide

Single Sash Construction



Double Sash Construction

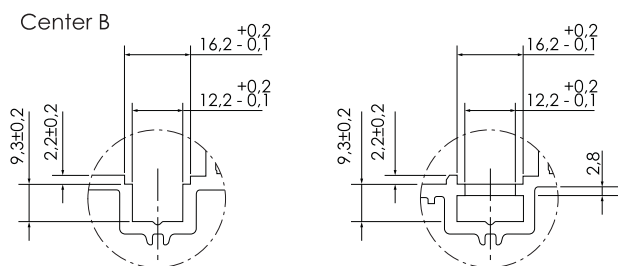
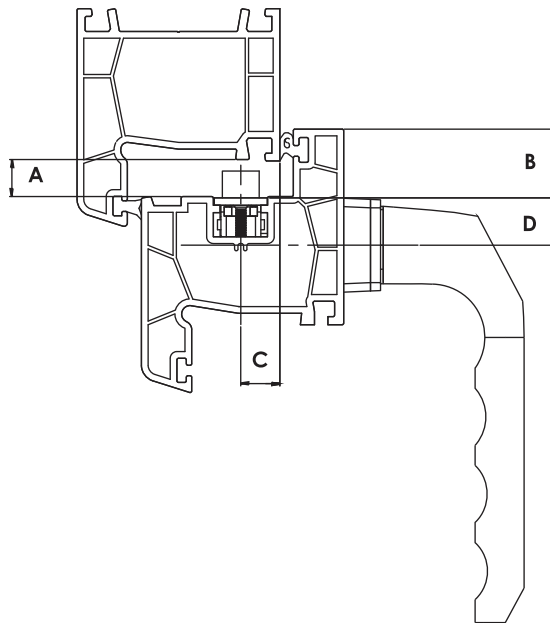


Sash Rebate Gap (A): min. 12 mm

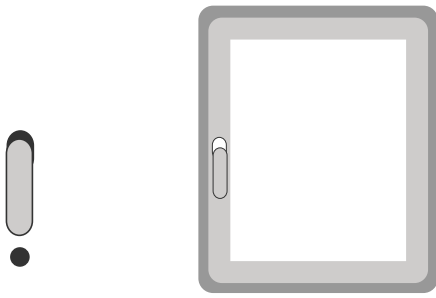
Sash Overlap (B): 20 mm

Sash Groove Position (C): 9 mm / 10 mm / 13 mm / 14 mm

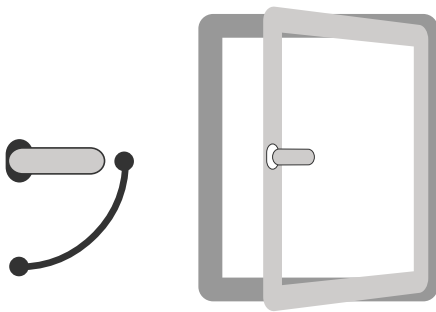
Espagnolette Backset (D): 7,5 mm / 15 mm / 25 mm / 30 mm / 40 mm



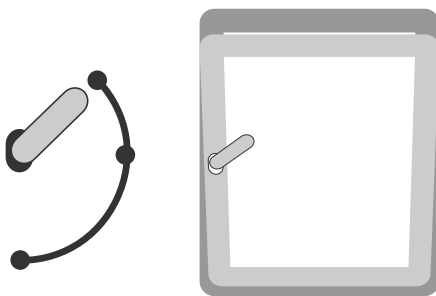
Dimensions for plastic profile according RAL as of February 1998.



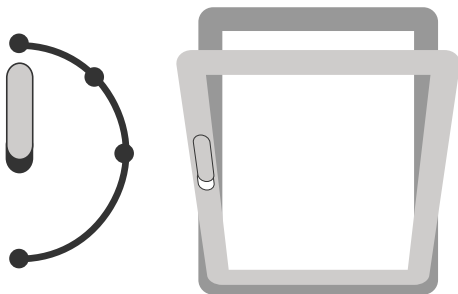
Pos-1: Closed (Locked)



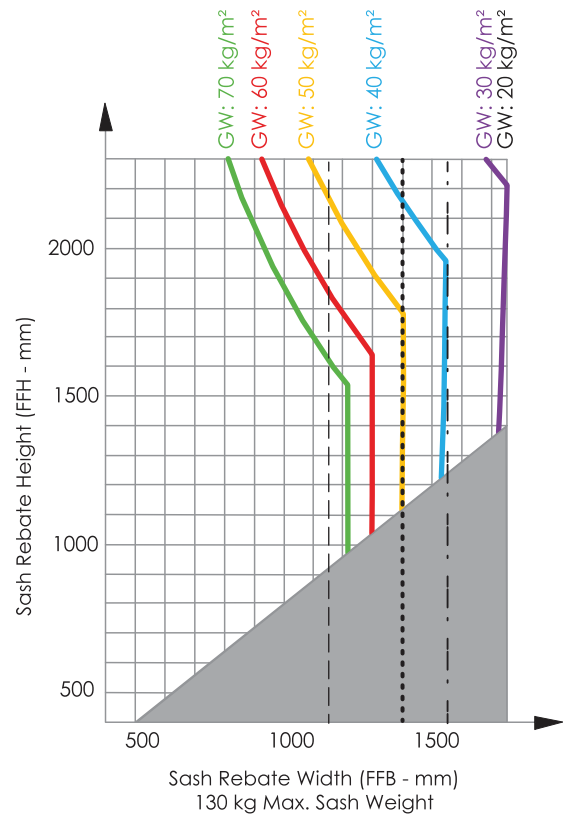
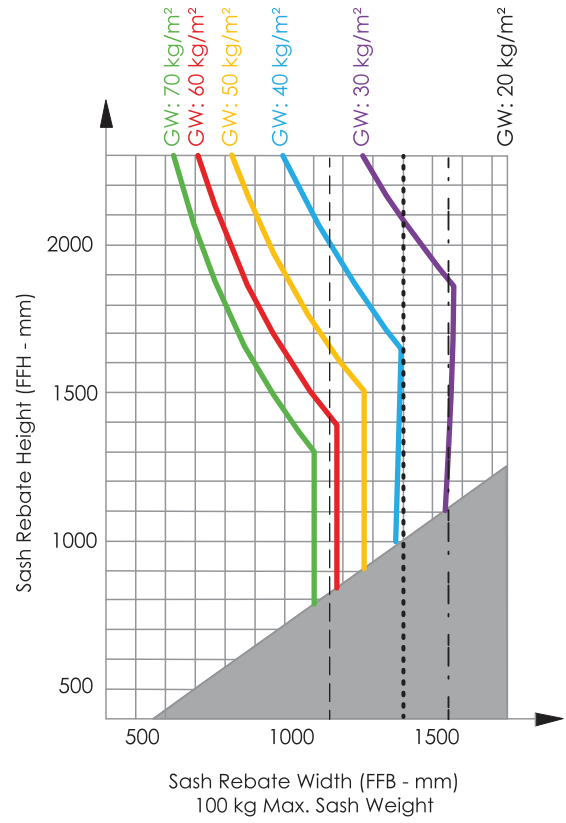
Pos-2: Turn Position



Pos-3: Ventilation Position



Pos-4: Tilt Position



Explanations:

GW: Glass Weight

1mm Thickness Of 1m² Glass Weight Is Considered As 2,5 kg

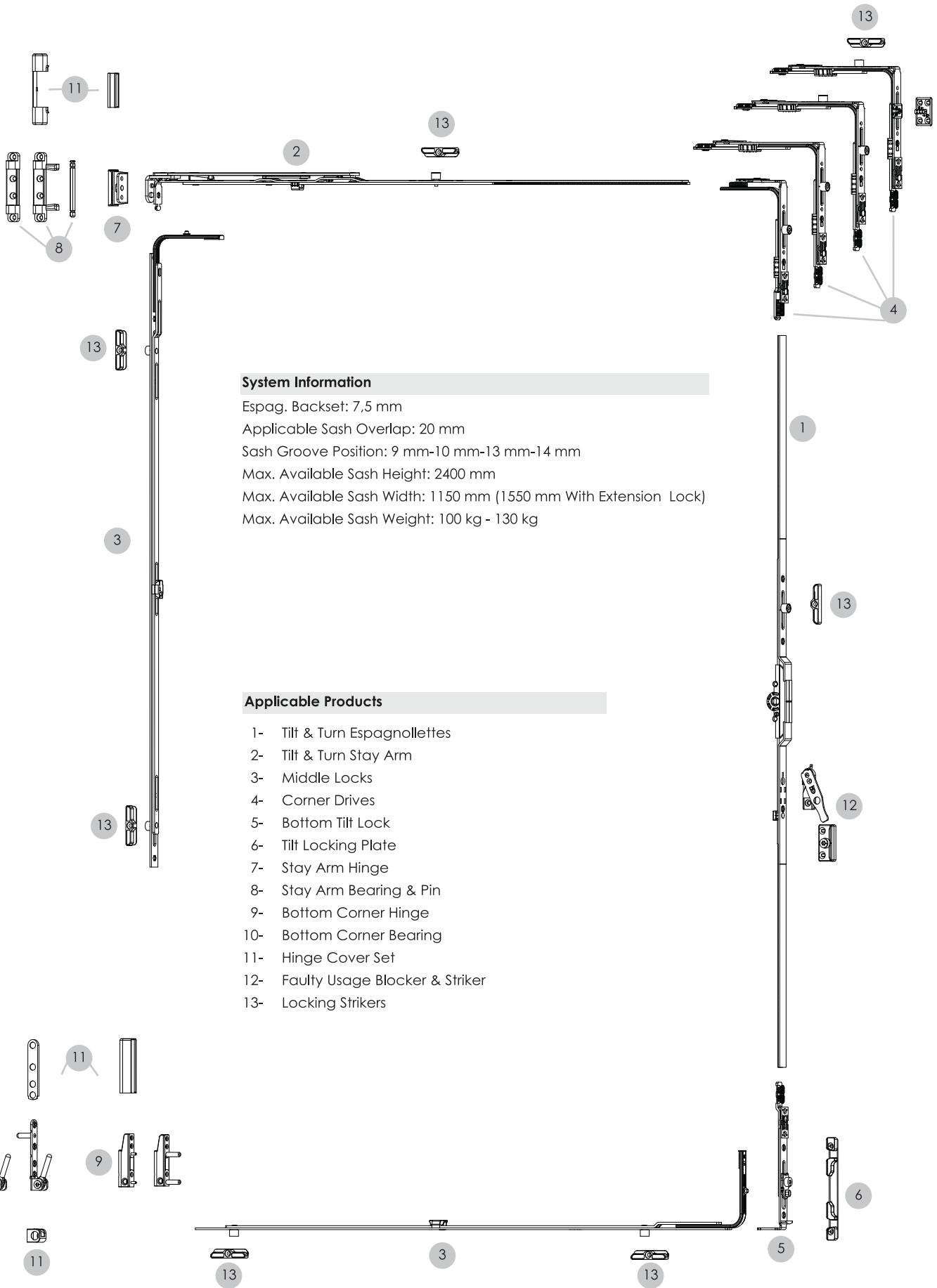
Max. Sash Rebate Width With Stay Arm (900-1150 mm)

Max. Sash Rebate Width With Stay Arm (900-1150 mm) + 250 mm Extension Gear

Max. Sash Rebate Width With Stay Arm (900-1150 mm) + 400 mm Extension Gear

Tilt And Turn Systems

- 7,5 mm Backset Basic Security Level

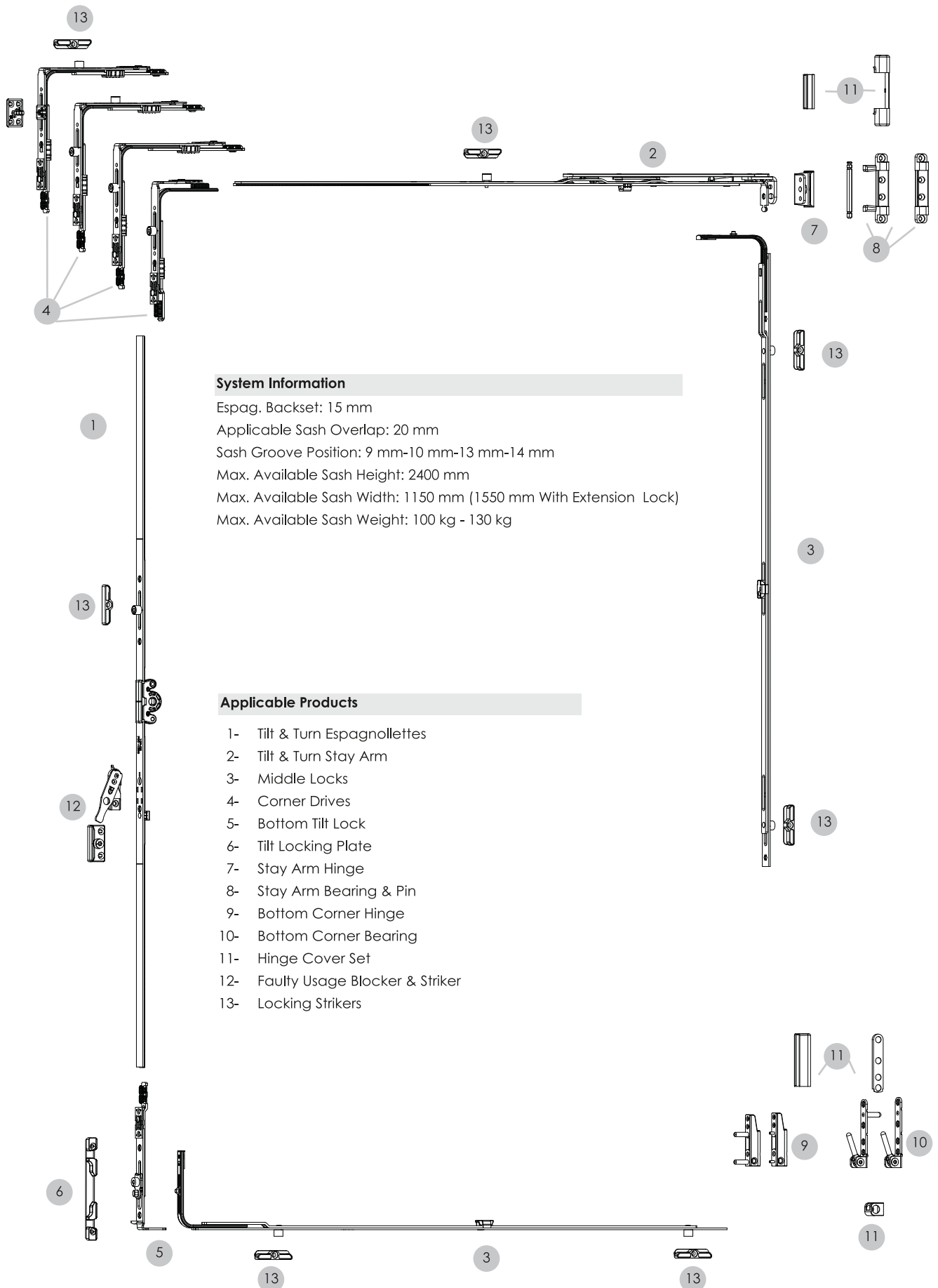


System Information

Espag. Backset: 7,5 mm
 Applicable Sash Overlap: 20 mm
 Sash Groove Position: 9 mm-10 mm-13 mm-14 mm
 Max. Available Sash Height: 2400 mm
 Max. Available Sash Width: 1150 mm (1550 mm With Extension Lock)
 Max. Available Sash Weight: 100 kg - 130 kg

Applicable Products

- 1- Tilt & Turn Espagnollettes
- 2- Tilt & Turn Stay Arm
- 3- Middle Locks
- 4- Corner Drives
- 5- Bottom Tilt Lock
- 6- Tilt Locking Plate
- 7- Stay Arm Hinge
- 8- Stay Arm Bearing & Pin
- 9- Bottom Corner Hinge
- 10- Bottom Corner Bearing
- 11- Hinge Cover Set
- 12- Faulty Usage Blocker & Striker
- 13- Locking Strikers



System Information

Espag. Backset: 15 mm

Applicable Sash Overlap: 20 mm

Sash Groove Position: 9 mm-10 mm-13 mm-14 mm

Max. Available Sash Height: 2400 mm

Max. Available Sash Width: 1150 mm (1550 mm With Extension Lock)

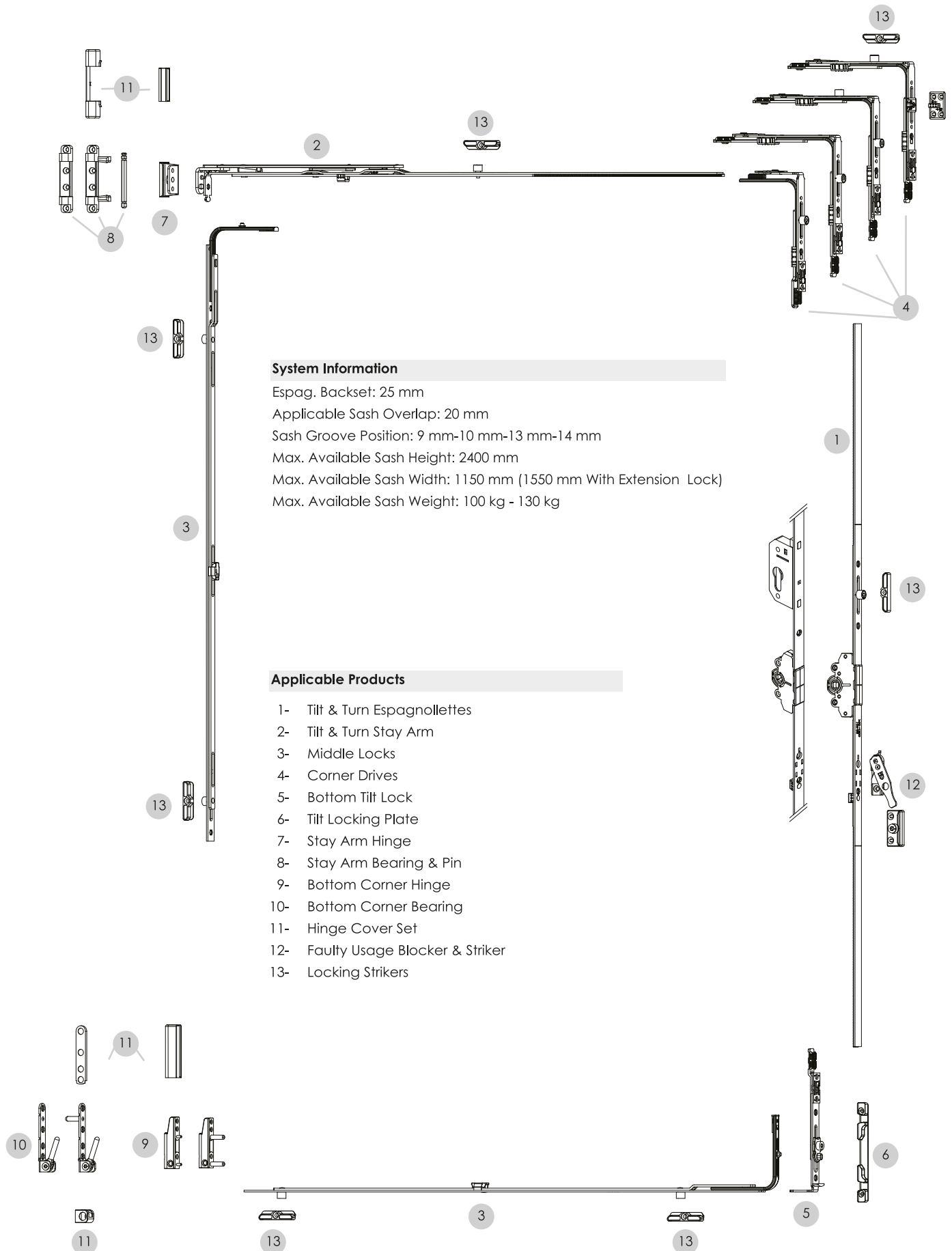
Max. Available Sash Weight: 100 kg - 130 kg

Applicable Products

- 1- Tilt & Turn Espagnollettes
- 2- Tilt & Turn Stay Arm
- 3- Middle Locks
- 4- Corner Drives
- 5- Bottom Tilt Lock
- 6- Tilt Locking Plate
- 7- Stay Arm Hinge
- 8- Stay Arm Bearing & Pin
- 9- Bottom Corner Hinge
- 10- Bottom Corner Bearing
- 11- Hinge Cover Set
- 12- Faulty Usage Blocker & Striker
- 13- Locking Strikers

Tilt And Turn Systems

● 25 mm Backset Basic Security Level

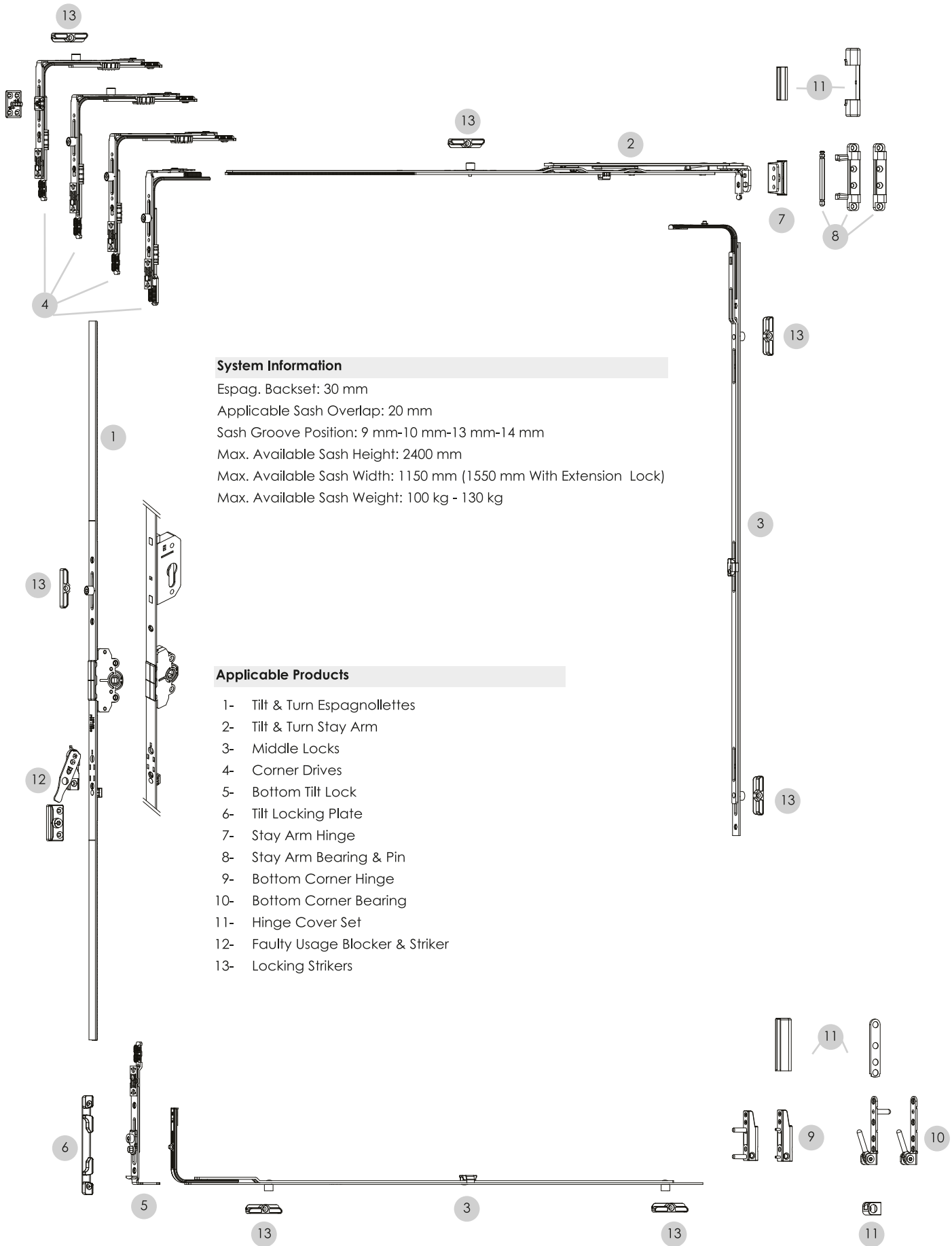


System Information

Espag. Backset: 25 mm
 Applicable Sash Overlap: 20 mm
 Sash Groove Position: 9 mm-10 mm-13 mm-14 mm
 Max. Available Sash Height: 2400 mm
 Max. Available Sash Width: 1150 mm (1550 mm With Extension Lock)
 Max. Available Sash Weight: 100 kg - 130 kg

Applicable Products

- 1- Tilt & Turn Espagnollettes
- 2- Tilt & Turn Stay Arm
- 3- Middle Locks
- 4- Corner Drives
- 5- Bottom Tilt Lock
- 6- Tilt Locking Plate
- 7- Stay Arm Hinge
- 8- Stay Arm Bearing & Pin
- 9- Bottom Corner Hinge
- 10- Bottom Corner Bearing
- 11- Hinge Cover Set
- 12- Faulty Usage Blocker & Striker
- 13- Locking Strikers



System Information

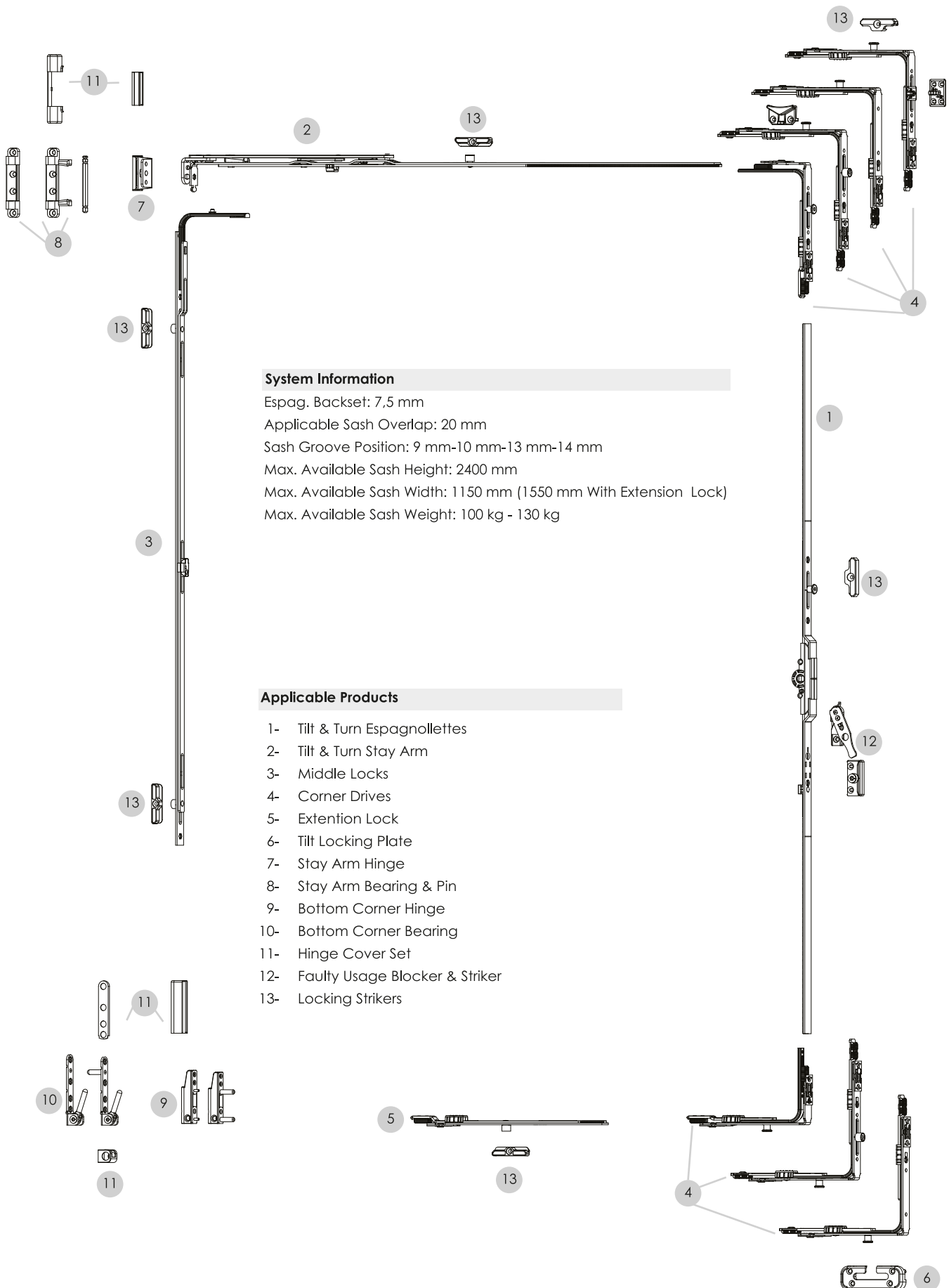
Espag. Backset: 30 mm
 Applicable Sash Overlap: 20 mm
 Sash Groove Position: 9 mm-10 mm-13 mm-14 mm
 Max. Available Sash Height: 2400 mm
 Max. Available Sash Width: 1150 mm (1550 mm With Extension Lock)
 Max. Available Sash Weight: 100 kg - 130 kg

Applicable Products

- 1- Tilt & Turn Espagnolettes
- 2- Tilt & Turn Stay Arm
- 3- Middle Locks
- 4- Corner Drives
- 5- Bottom Tilt Lock
- 6- Tilt Locking Plate
- 7- Stay Arm Hinge
- 8- Stay Arm Bearing & Pin
- 9- Bottom Corner Hinge
- 10- Bottom Corner Bearing
- 11- Hinge Cover Set
- 12- Faulty Usage Blocker & Striker
- 13- Locking Strikers

Tilt And Turn Systems

● 7,5 mm Backset Medium Security Level

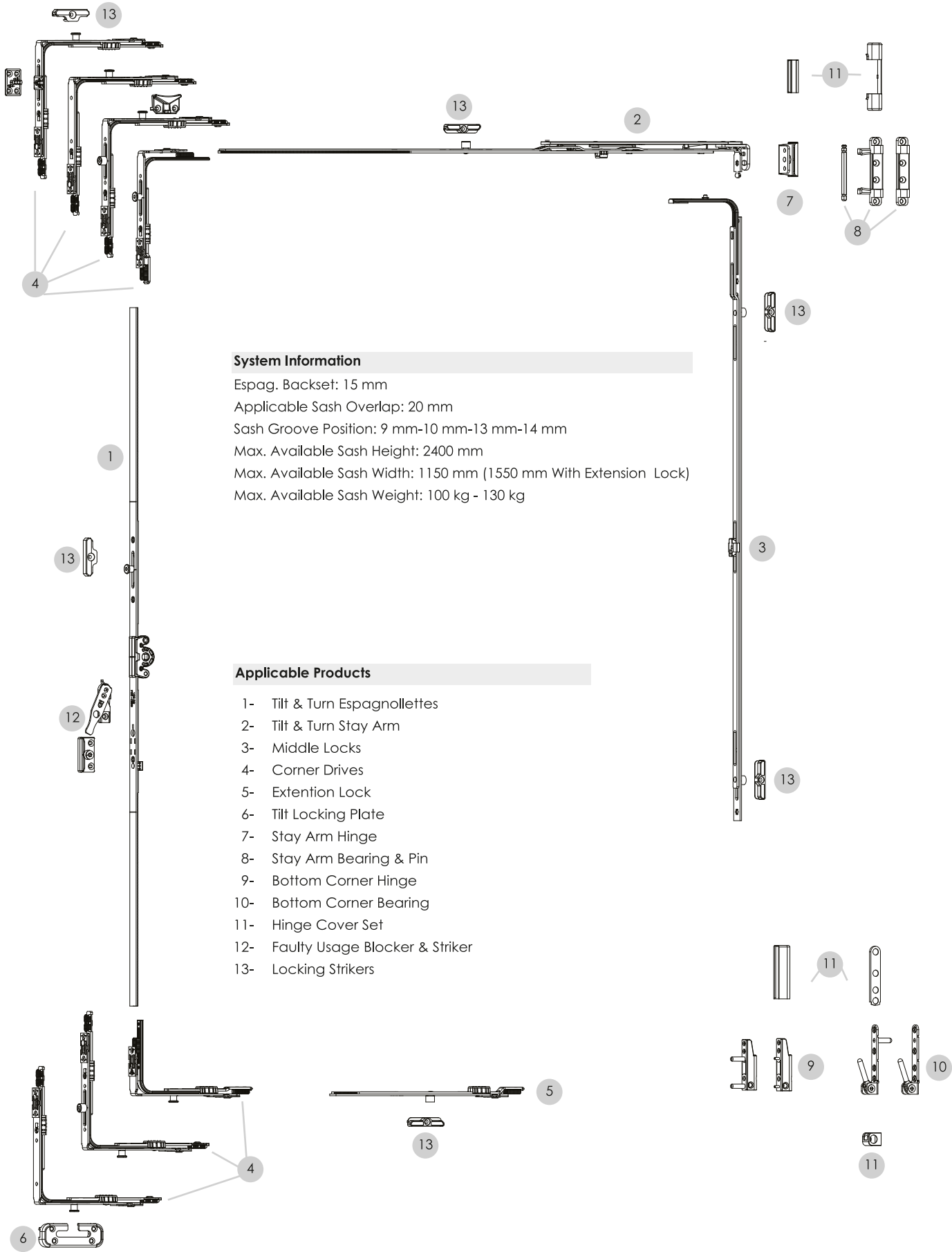


System Information

Espag. Backset: 7,5 mm
 Applicable Sash Overlap: 20 mm
 Sash Groove Position: 9 mm-10 mm-13 mm-14 mm
 Max. Available Sash Height: 2400 mm
 Max. Available Sash Width: 1150 mm (1550 mm With Extension Lock)
 Max. Available Sash Weight: 100 kg - 130 kg

Applicable Products

- 1- Tilt & Turn Espagnollettes
- 2- Tilt & Turn Stay Arm
- 3- Middle Locks
- 4- Corner Drives
- 5- Extension Lock
- 6- Tilt Locking Plate
- 7- Stay Arm Hinge
- 8- Stay Arm Bearing & Pin
- 9- Bottom Corner Hinge
- 10- Bottom Corner Bearing
- 11- Hinge Cover Set
- 12- Faulty Usage Blocker & Striker
- 13- Locking Strikers



System Information

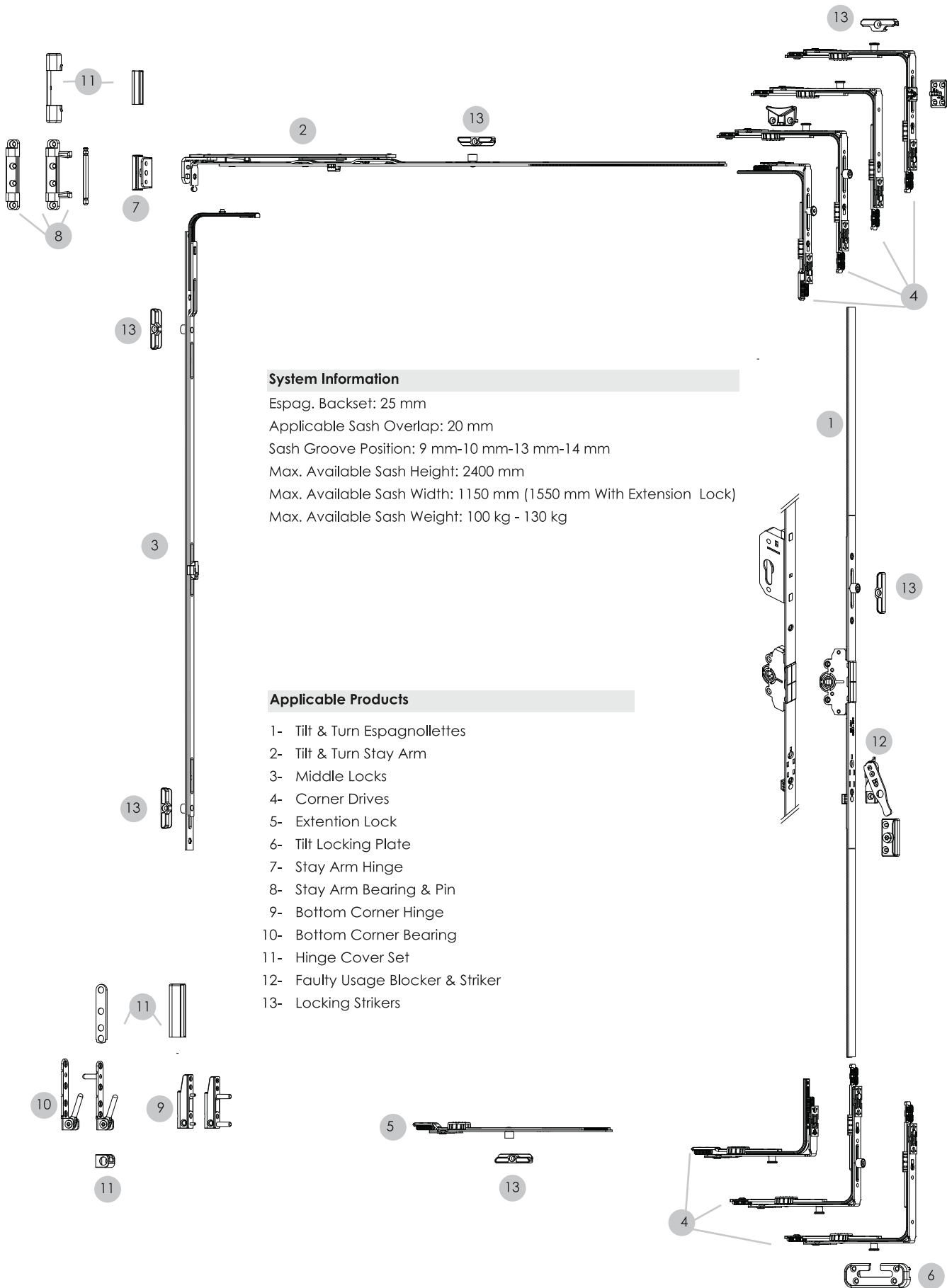
Espag. Backset: 15 mm
 Applicable Sash Overlap: 20 mm
 Sash Groove Position: 9 mm-10 mm-13 mm-14 mm
 Max. Available Sash Height: 2400 mm
 Max. Available Sash Width: 1150 mm (1550 mm With Extension Lock)
 Max. Available Sash Weight: 100 kg - 130 kg

Applicable Products

- 1- Tilt & Turn Espagnollettes
- 2- Tilt & Turn Stay Arm
- 3- Middle Locks
- 4- Corner Drives
- 5- Extension Lock
- 6- Tilt Locking Plate
- 7- Stay Arm Hinge
- 8- Stay Arm Bearing & Pin
- 9- Bottom Corner Hinge
- 10- Bottom Corner Bearing
- 11- Hinge Cover Set
- 12- Faulty Usage Blocker & Striker
- 13- Locking Strikers

Tilt And Turn Systems

● 25 mm Backset Medium Security Level

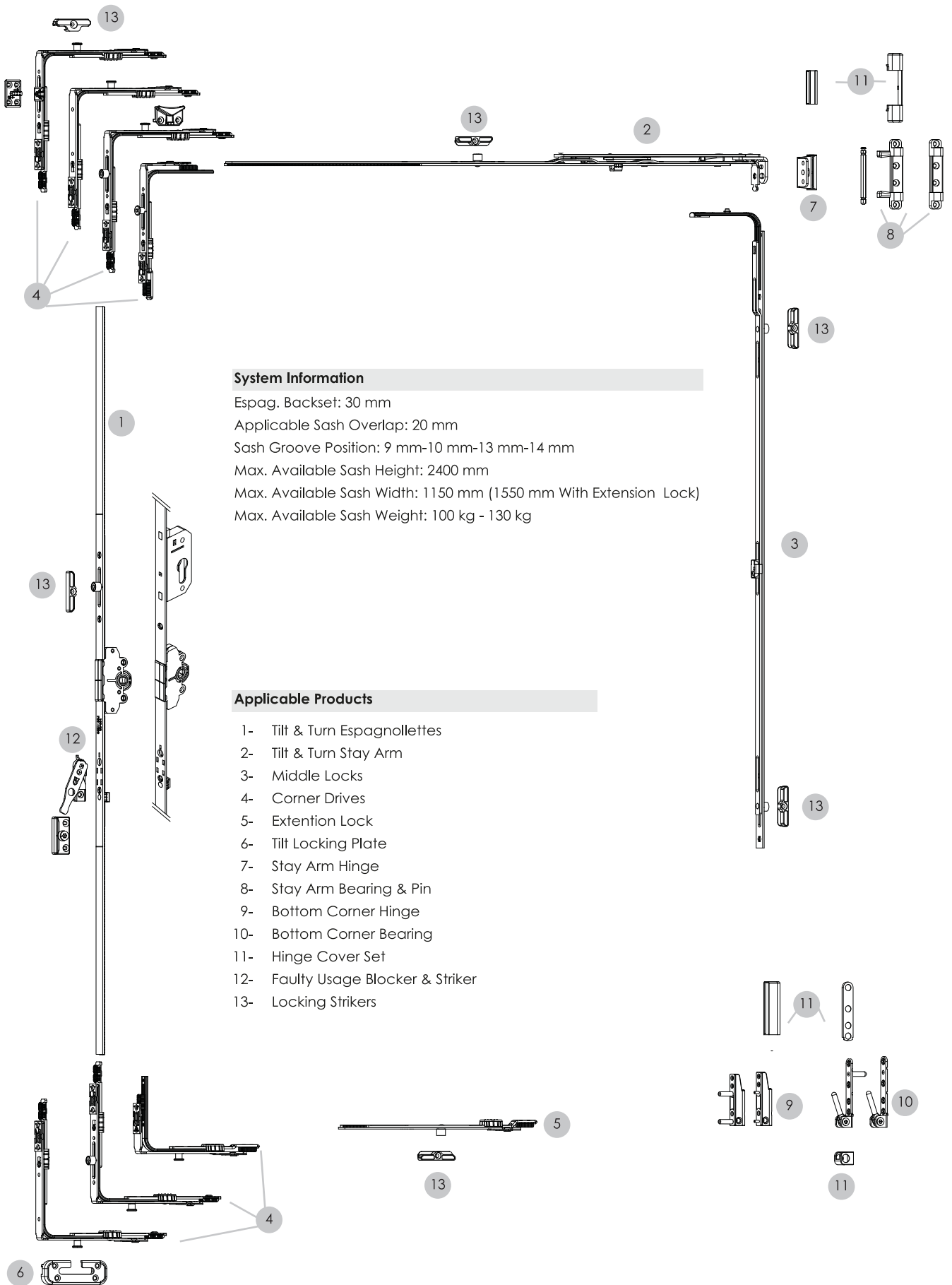


System Information

- Espag. Backset: 25 mm
- Applicable Sash Overlap: 20 mm
- Sash Groove Position: 9 mm-10 mm-13 mm-14 mm
- Max. Available Sash Height: 2400 mm
- Max. Available Sash Width: 1150 mm (1550 mm With Extension Lock)
- Max. Available Sash Weight: 100 kg - 130 kg

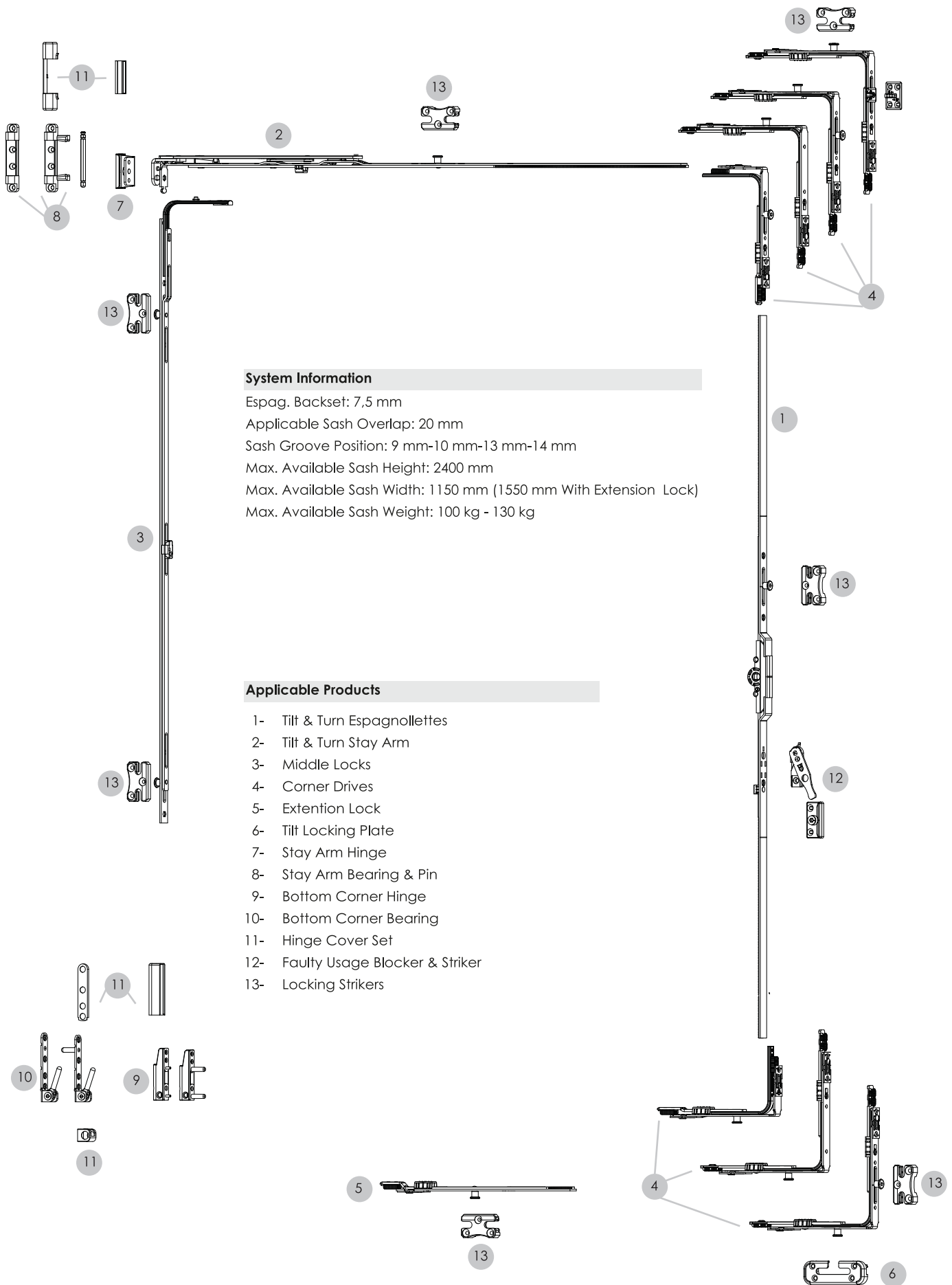
Applicable Products

- 1- Tilt & Turn Espagnollettes
- 2- Tilt & Turn Stay Arm
- 3- Middle Locks
- 4- Corner Drives
- 5- Extension Lock
- 6- Tilt Locking Plate
- 7- Stay Arm Hinge
- 8- Stay Arm Bearing & Pin
- 9- Bottom Corner Hinge
- 10- Bottom Corner Bearing
- 11- Hinge Cover Set
- 12- Faulty Usage Blocker & Striker
- 13- Locking Strikers



Tilt And Turn Systems

7,5 mm Backset High Security Level

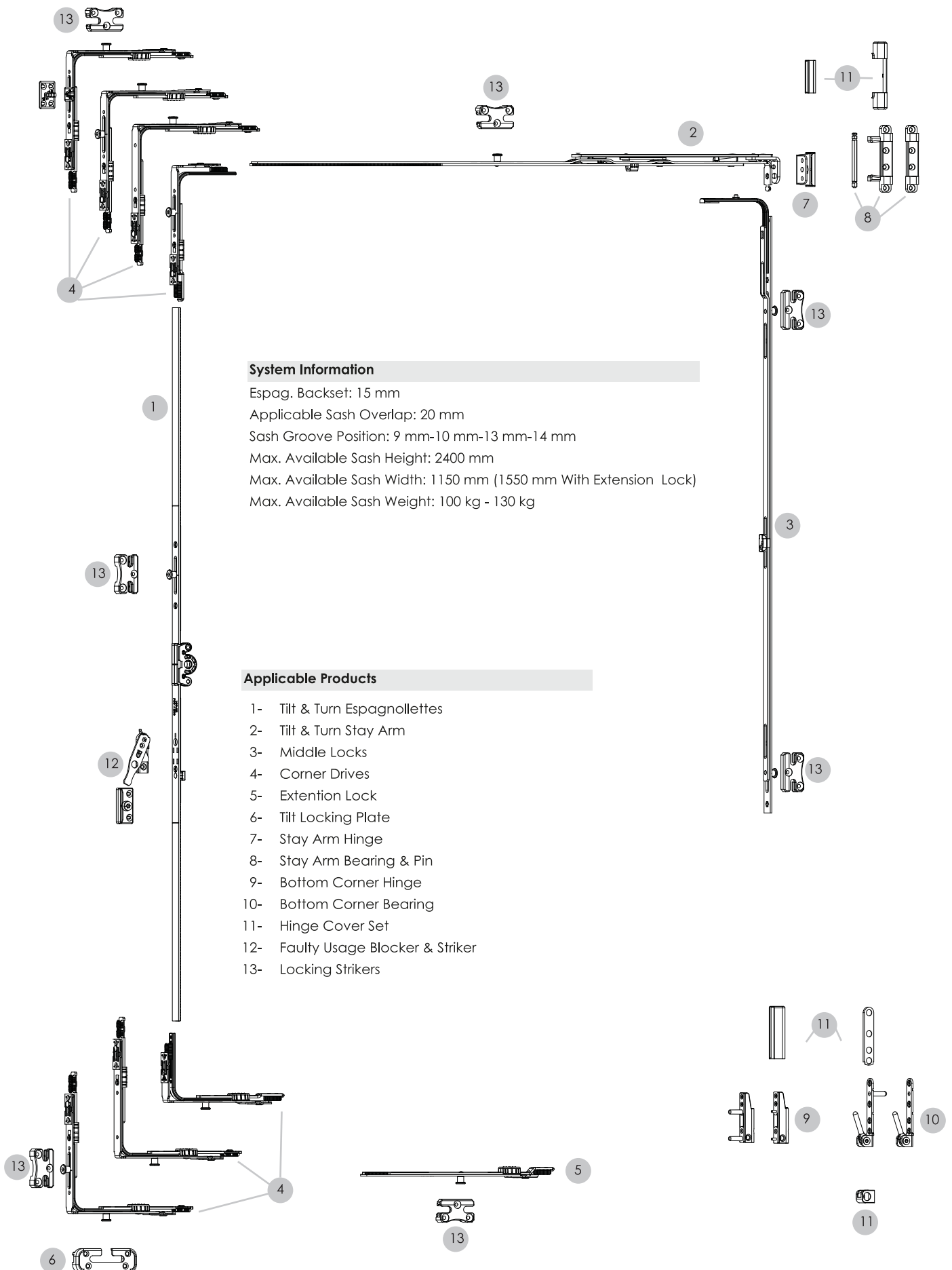


System Information

Espag. Backset: 7,5 mm
 Applicable Sash Overlap: 20 mm
 Sash Groove Position: 9 mm-10 mm-13 mm-14 mm
 Max. Available Sash Height: 2400 mm
 Max. Available Sash Width: 1150 mm (1550 mm With Extension Lock)
 Max. Available Sash Weight: 100 kg - 130 kg

Applicable Products

- 1- Tilt & Turn Espagnollettes
- 2- Tilt & Turn Stay Arm
- 3- Middle Locks
- 4- Corner Drives
- 5- Extension Lock
- 6- Tilt Locking Plate
- 7- Stay Arm Hinge
- 8- Stay Arm Bearing & Pin
- 9- Bottom Corner Hinge
- 10- Bottom Corner Bearing
- 11- Hinge Cover Set
- 12- Faulty Usage Blocker & Striker
- 13- Locking Strikers



System Information

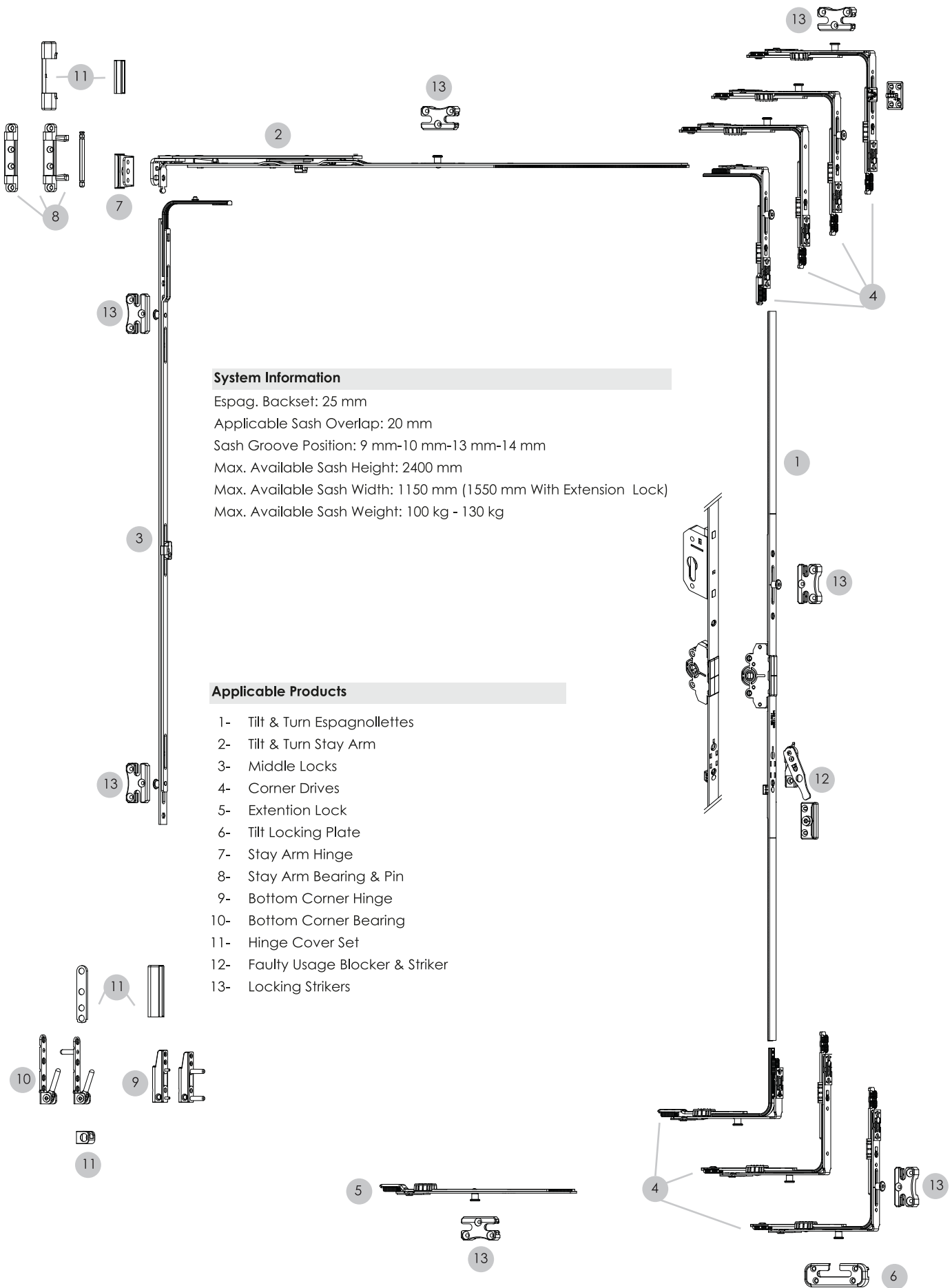
- Espag. Backset: 15 mm
- Applicable Sash Overlap: 20 mm
- Sash Groove Position: 9 mm-10 mm-13 mm-14 mm
- Max. Available Sash Height: 2400 mm
- Max. Available Sash Width: 1150 mm (1550 mm With Extension Lock)
- Max. Available Sash Weight: 100 kg - 130 kg

Applicable Products

- 1- Tilt & Turn Espagnollettes
- 2- Tilt & Turn Stay Arm
- 3- Middle Locks
- 4- Corner Drives
- 5- Extension Lock
- 6- Tilt Locking Plate
- 7- Stay Arm Hinge
- 8- Stay Arm Bearing & Pin
- 9- Bottom Corner Hinge
- 10- Bottom Corner Bearing
- 11- Hinge Cover Set
- 12- Faulty Usage Blocker & Striker
- 13- Locking Strikers

Tilt And Turn Systems

● 25 mm Backset High Security Level

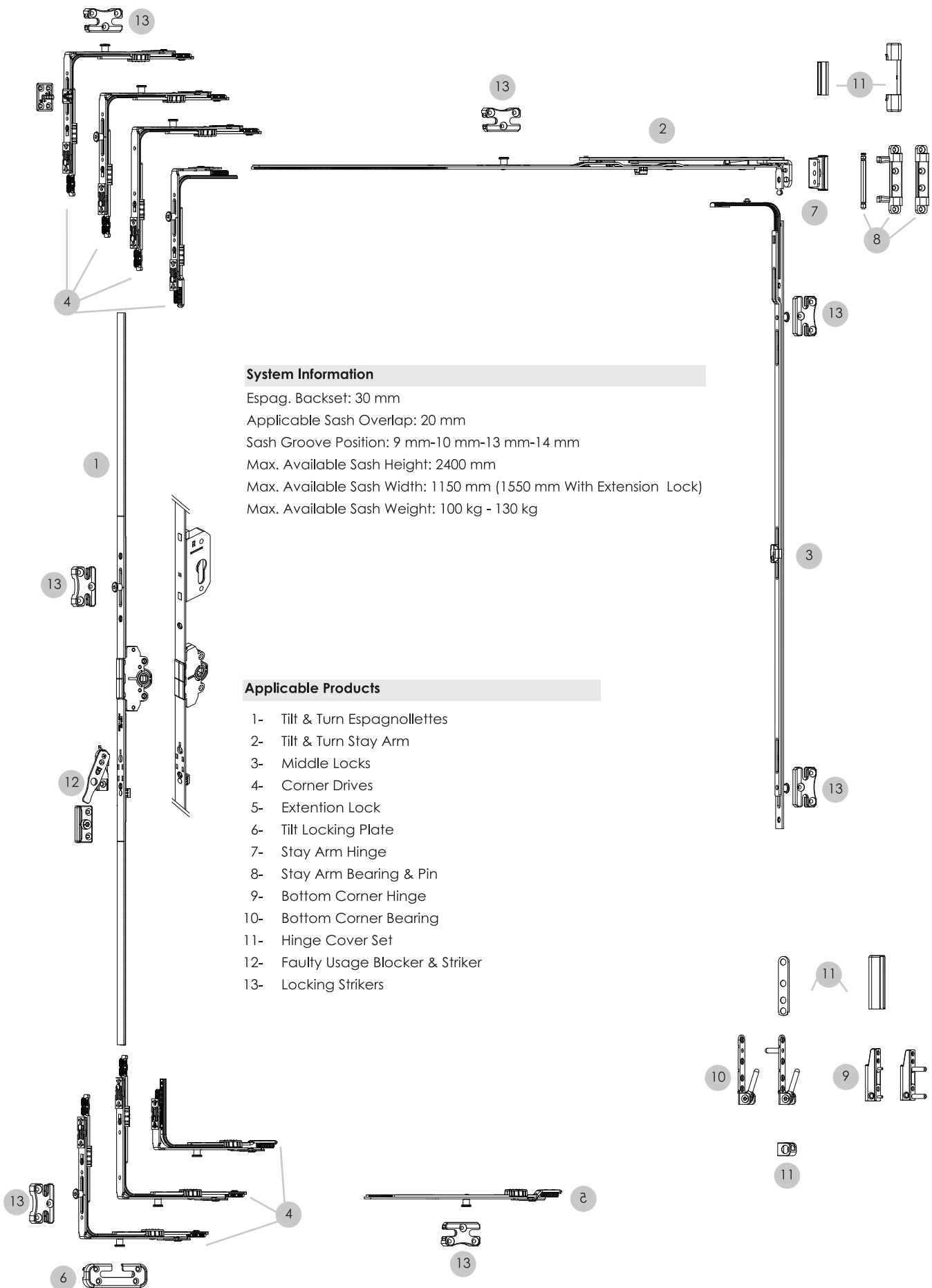


System Information

Espag. Backset: 25 mm
 Applicable Sash Overlap: 20 mm
 Sash Groove Position: 9 mm-10 mm-13 mm-14 mm
 Max. Available Sash Height: 2400 mm
 Max. Available Sash Width: 1150 mm (1550 mm With Extension Lock)
 Max. Available Sash Weight: 100 kg - 130 kg

Applicable Products

- 1- Tilt & Turn Espagnollettes
- 2- Tilt & Turn Stay Arm
- 3- Middle Locks
- 4- Corner Drives
- 5- Extension Lock
- 6- Tilt Locking Plate
- 7- Stay Arm Hinge
- 8- Stay Arm Bearing & Pin
- 9- Bottom Corner Hinge
- 10- Bottom Corner Bearing
- 11- Hinge Cover Set
- 12- Faulty Usage Blocker & Striker
- 13- Locking Strikers



System Information

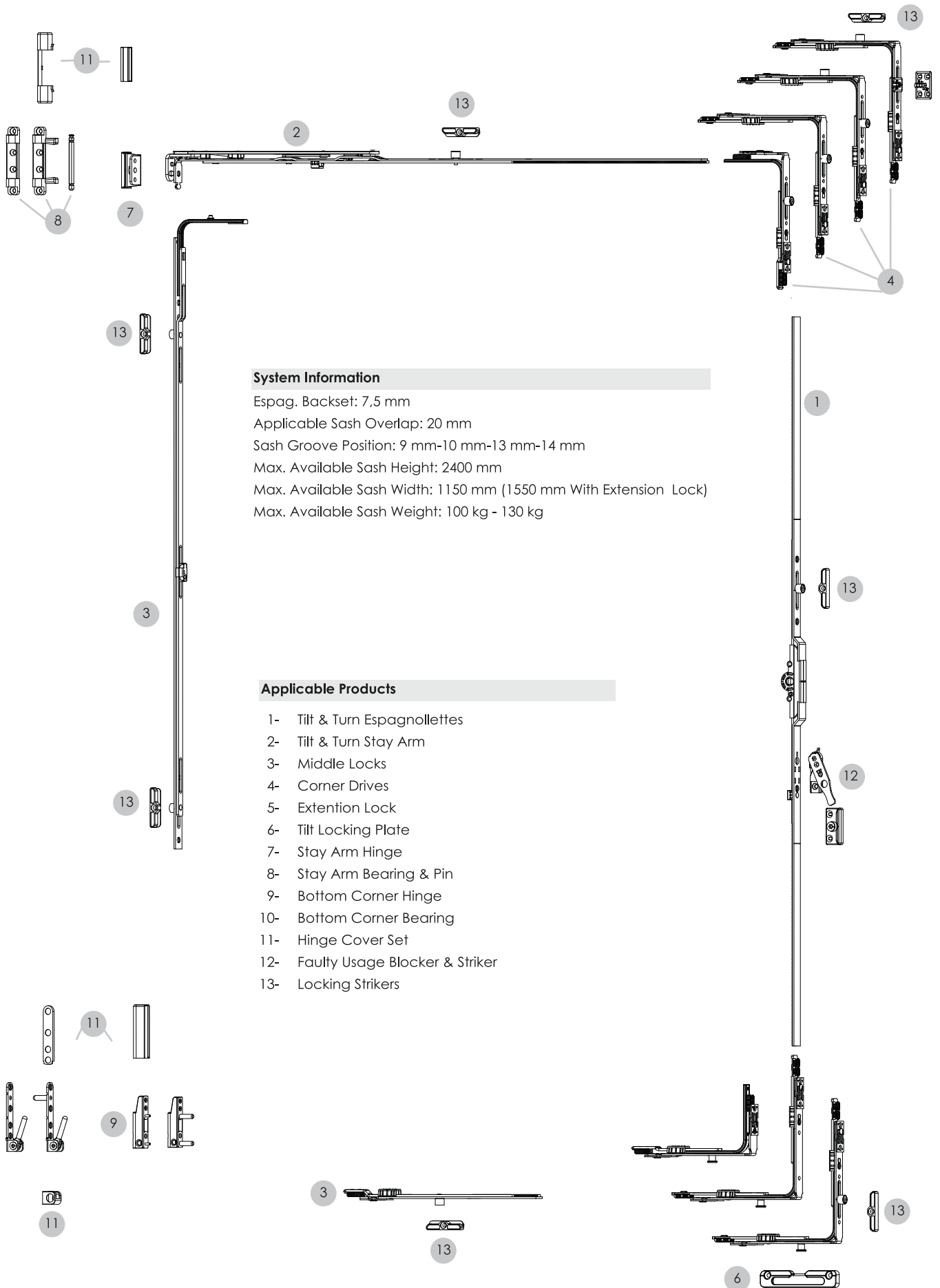
Espag. Backset: 30 mm
 Applicable Sash Overlap: 20 mm
 Sash Groove Position: 9 mm-10 mm-13 mm-14 mm
 Max. Available Sash Height: 2400 mm
 Max. Available Sash Width: 1150 mm (1550 mm With Extension Lock)
 Max. Available Sash Weight: 100 kg - 130 kg

Applicable Products

- 1- Tilt & Turn Espagnollettes
- 2- Tilt & Turn Stay Arm
- 3- Middle Locks
- 4- Corner Drives
- 5- Extension Lock
- 6- Tilt Locking Plate
- 7- Stay Arm Hinge
- 8- Stay Arm Bearing & Pin
- 9- Bottom Corner Hinge
- 10- Bottom Corner Bearing
- 11- Hinge Cover Set
- 12- Faulty Usage Blocker & Striker
- 13- Locking Strikers

Tilt And Turn Systems

7,5 mm Backset Tilt First System

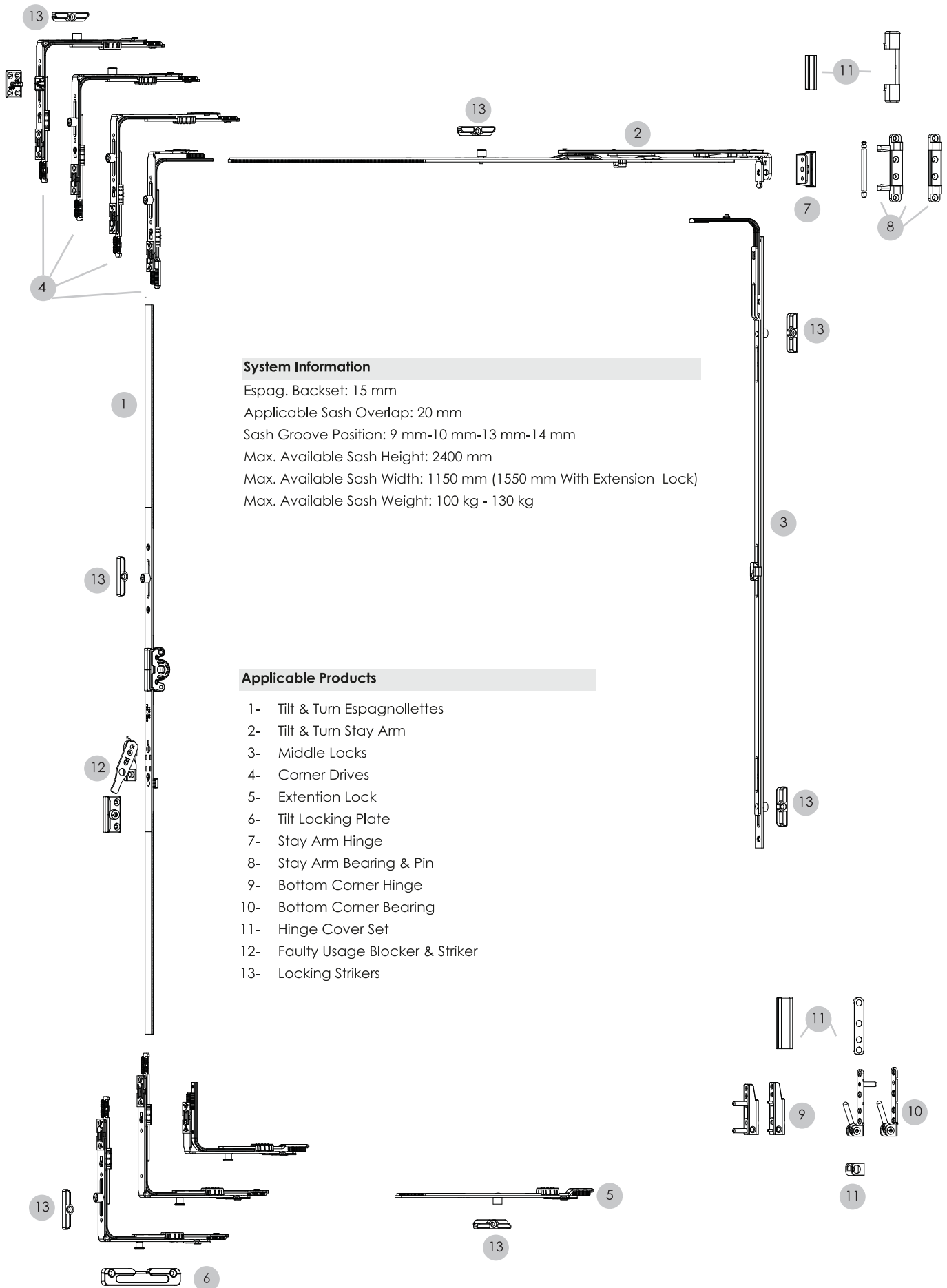


System Information

Espag. Backset: 7,5 mm
 Applicable Sash Overlap: 20 mm
 Sash Groove Position: 9 mm-10 mm-13 mm-14 mm
 Max. Available Sash Height: 2400 mm
 Max. Available Sash Width: 1150 mm (1550 mm With Extension Lock)
 Max. Available Sash Weight: 100 kg - 130 kg

Applicable Products

- 1- Tilt & Turn Espagnollettes
- 2- Tilt & Turn Stay Arm
- 3- Middle Locks
- 4- Corner Drives
- 5- Extension Lock
- 6- Tilt Locking Plate
- 7- Stay Arm Hinge
- 8- Stay Arm Bearing & Pin
- 9- Bottom Corner Hinge
- 10- Bottom Corner Bearing
- 11- Hinge Cover Set
- 12- Faulty Usage Blocker & Striker
- 13- Locking Strikers



System Information

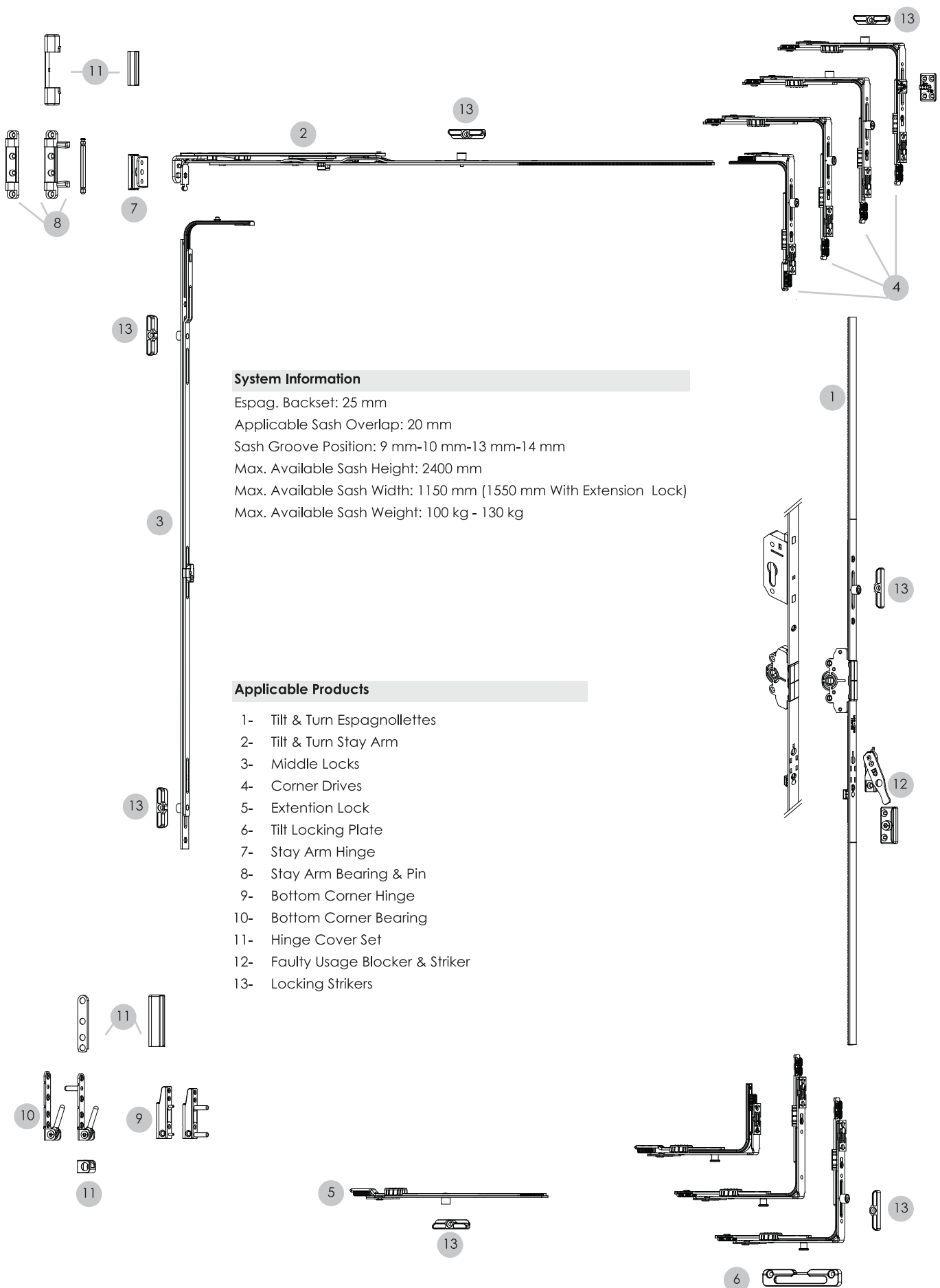
Espag. Backset: 15 mm
 Applicable Sash Overlap: 20 mm
 Sash Groove Position: 9 mm-10 mm-13 mm-14 mm
 Max. Available Sash Height: 2400 mm
 Max. Available Sash Width: 1150 mm (1550 mm With Extension Lock)
 Max. Available Sash Weight: 100 kg - 130 kg

Applicable Products

- 1- Tilt & Turn Espagnollettes
- 2- Tilt & Turn Stay Arm
- 3- Middle Locks
- 4- Corner Drives
- 5- Extension Lock
- 6- Tilt Locking Plate
- 7- Stay Arm Hinge
- 8- Stay Arm Bearing & Pin
- 9- Bottom Corner Hinge
- 10- Bottom Corner Bearing
- 11- Hinge Cover Set
- 12- Faulty Usage Blocker & Striker
- 13- Locking Strikers

Tilt And Turn Systems

25 mm Backset Tilt First System

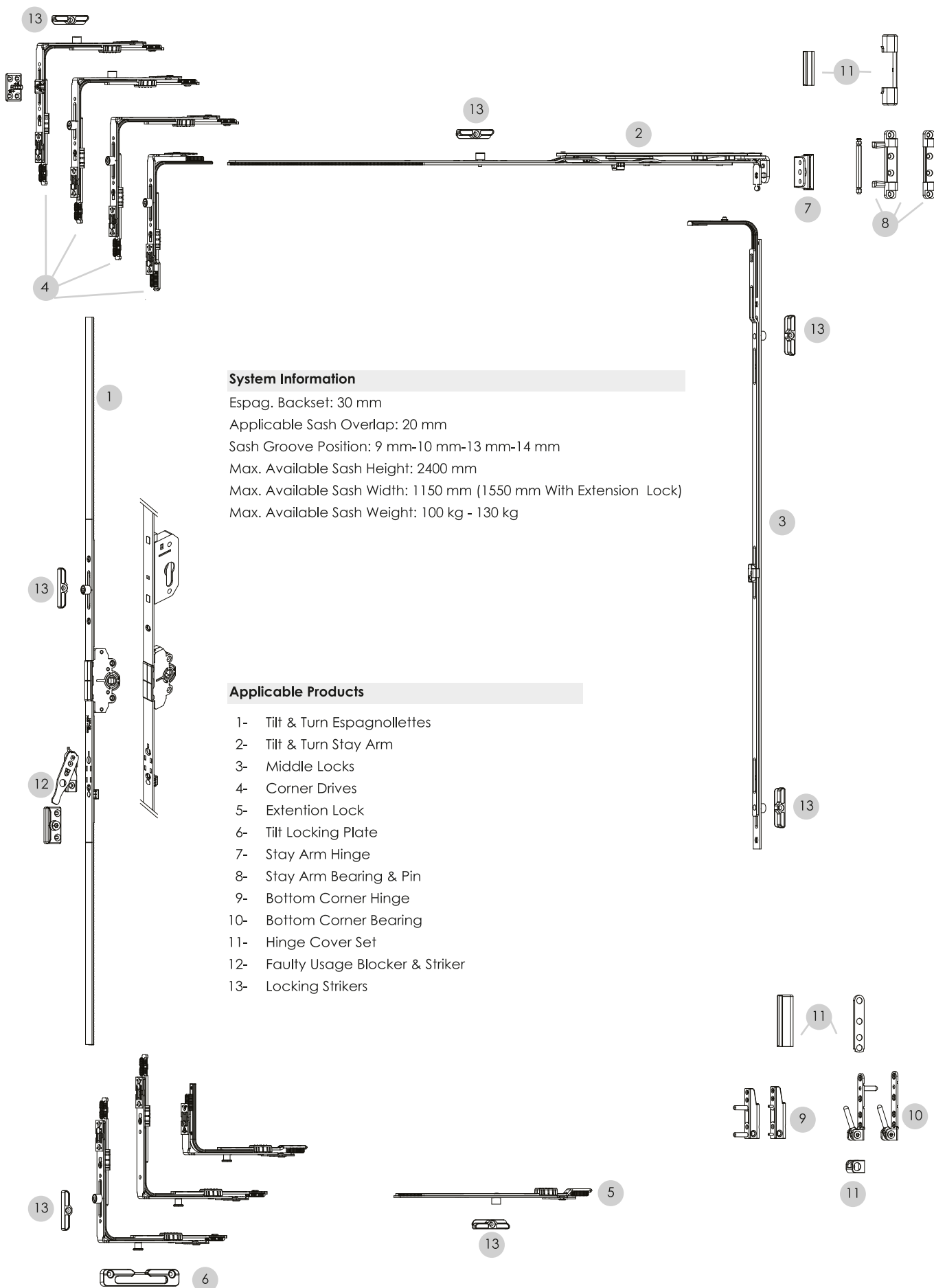


System Information

Espag. Backset: 25 mm
 Applicable Sash Overlap: 20 mm
 Sash Groove Position: 9 mm-10 mm-13 mm-14 mm
 Max. Available Sash Height: 2400 mm
 Max. Available Sash Width: 1150 mm (1550 mm With Extension Lock)
 Max. Available Sash Weight: 100 kg - 130 kg

Applicable Products

- 1- Tilt & Turn Espagnollettes
- 2- Tilt & Turn Stay Arm
- 3- Middle Locks
- 4- Corner Drives
- 5- Extension Lock
- 6- Tilt Locking Plate
- 7- Stay Arm Hinge
- 8- Stay Arm Bearing & Pin
- 9- Bottom Corner Hinge
- 10- Bottom Corner Bearing
- 11- Hinge Cover Set
- 12- Faulty Usage Blocker & Striker
- 13- Locking Strikers



System Information

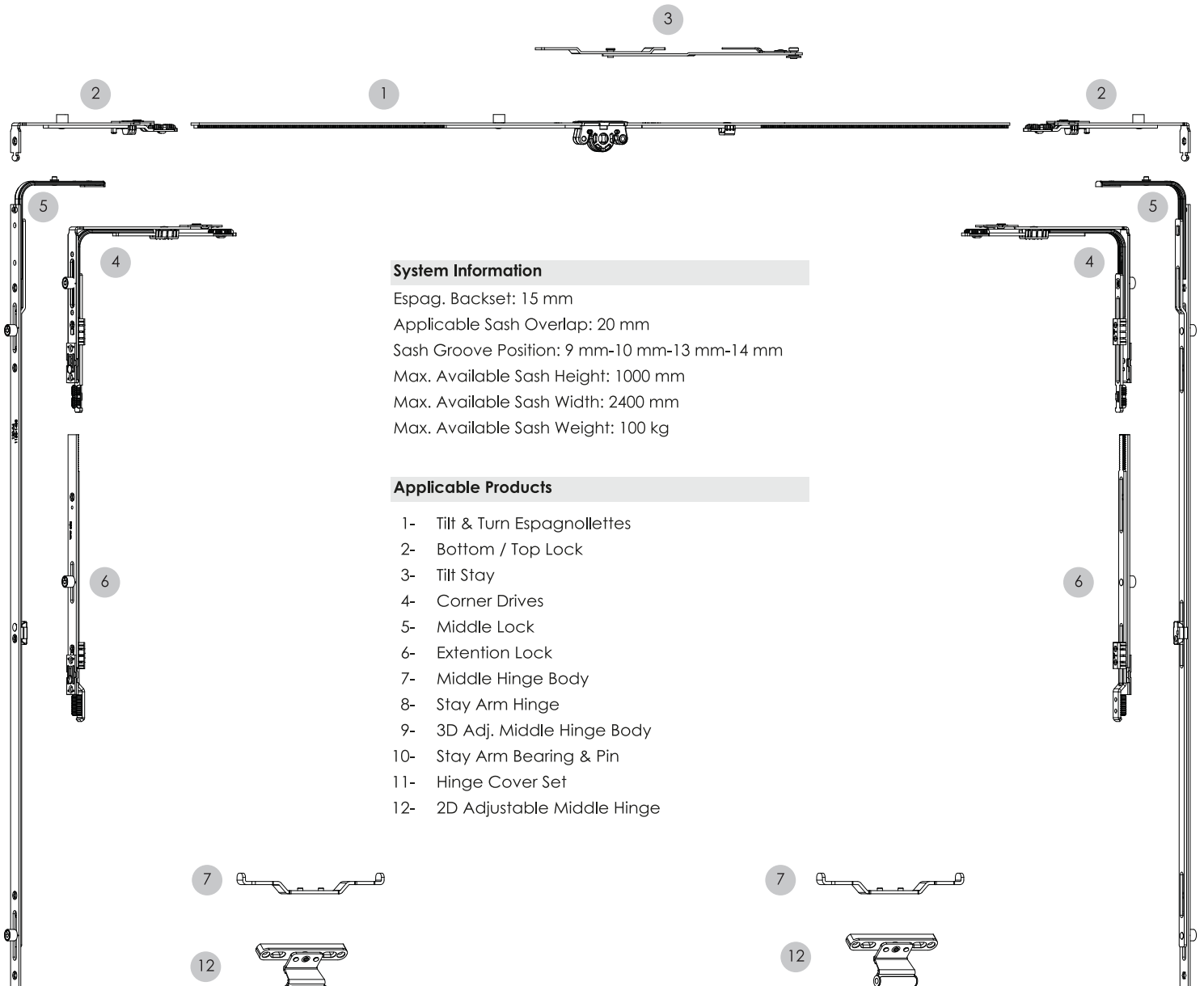
Espag. Backset: 30 mm
 Applicable Sash Overlap: 20 mm
 Sash Groove Position: 9 mm-10 mm-13 mm-14 mm
 Max. Available Sash Height: 2400 mm
 Max. Available Sash Width: 1150 mm (1550 mm With Extension Lock)
 Max. Available Sash Weight: 100 kg - 130 kg

Applicable Products

- 1- Tilt & Turn Espagnollettes
- 2- Tilt & Turn Stay Arm
- 3- Middle Locks
- 4- Corner Drives
- 5- Extension Lock
- 6- Tilt Locking Plate
- 7- Stay Arm Hinge
- 8- Stay Arm Bearing & Pin
- 9- Bottom Corner Hinge
- 10- Bottom Corner Bearing
- 11- Hinge Cover Set
- 12- Faulty Usage Blocker & Striker
- 13- Locking Strikers

Tilt And Turn Systems

15 mm Backset Tilt Only System

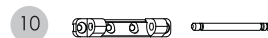
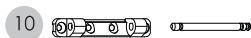


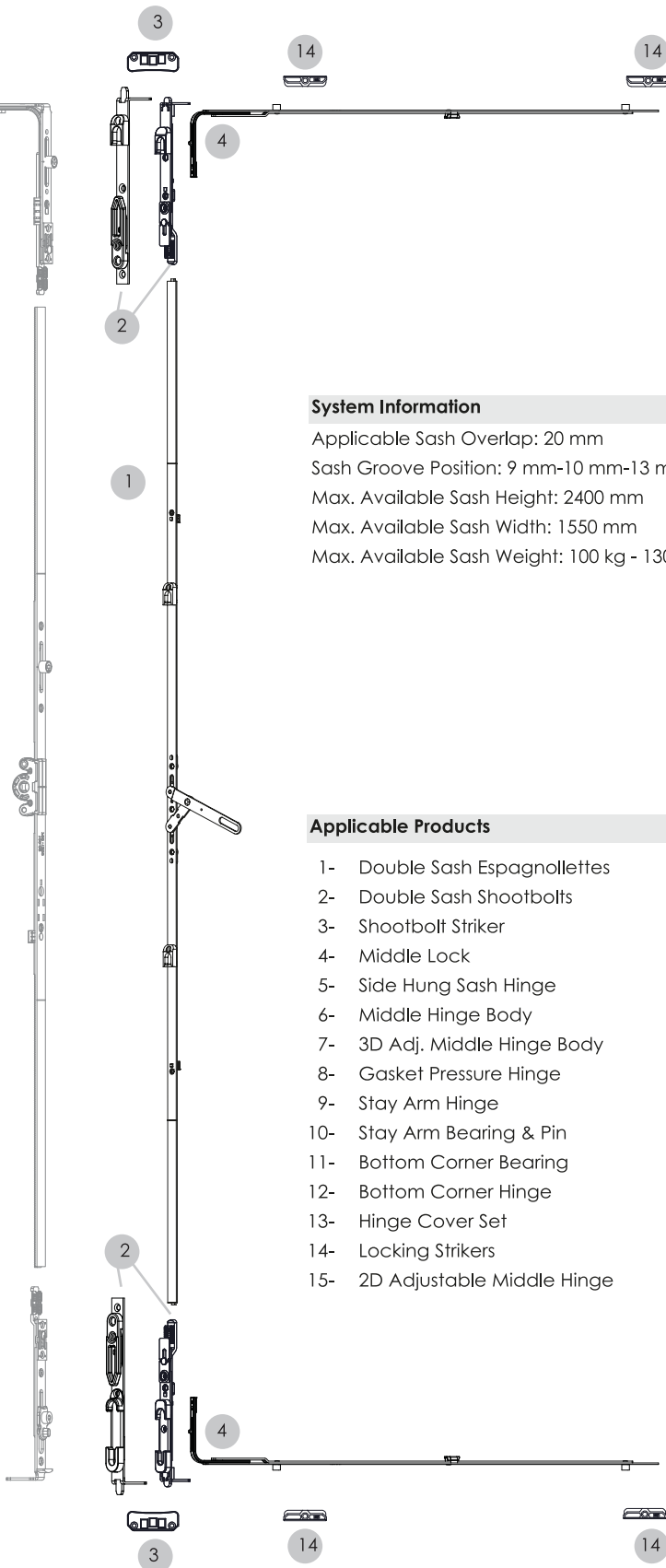
System Information

Espag. Backset: 15 mm
 Applicable Sash Overlap: 20 mm
 Sash Groove Position: 9 mm-10 mm-13 mm-14 mm
 Max. Available Sash Height: 1000 mm
 Max. Available Sash Width: 2400 mm
 Max. Available Sash Weight: 100 kg

Applicable Products

- 1- Tilt & Turn Espagnollettes
- 2- Bottom / Top Lock
- 3- Tilt Stay
- 4- Corner Drives
- 5- Middle Lock
- 6- Extension Lock
- 7- Middle Hinge Body
- 8- Stay Arm Hinge
- 9- 3D Adj. Middle Hinge Body
- 10- Stay Arm Bearing & Pin
- 11- Hinge Cover Set
- 12- 2D Adjustable Middle Hinge



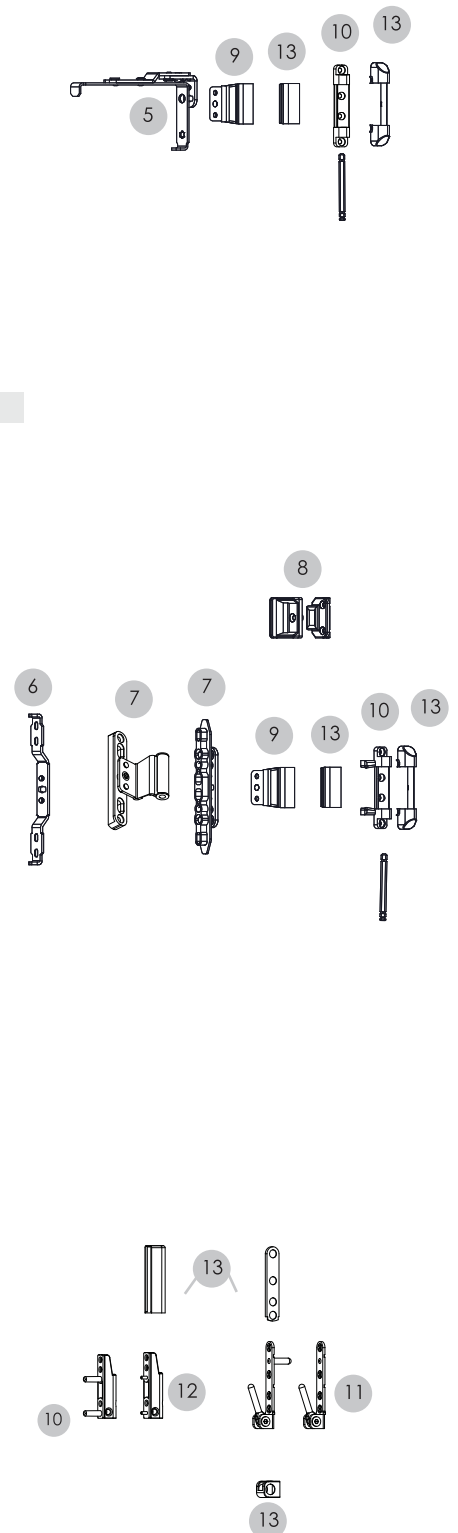


System Information

Applicable Sash Overlap: 20 mm
 Sash Groove Position: 9 mm-10 mm-13 mm-14 mm
 Max. Available Sash Height: 2400 mm
 Max. Available Sash Width: 1550 mm
 Max. Available Sash Weight: 100 kg - 130 kg

Applicable Products

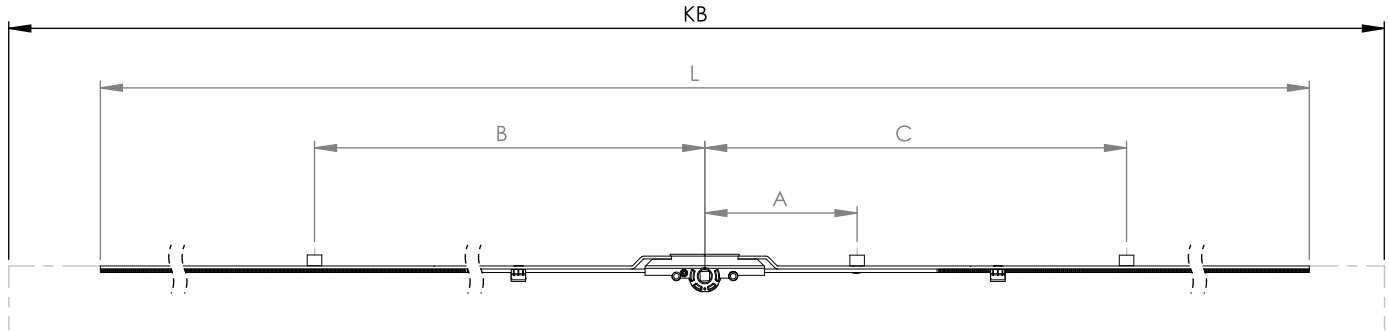
- 1- Double Sash Espagnolettes
- 2- Double Sash Shootbolts
- 3- Shootbolt Striker
- 4- Middle Lock
- 5- Side Hung Sash Hinge
- 6- Middle Hinge Body
- 7- 3D Adj. Middle Hinge Body
- 8- Gasket Pressure Hinge
- 9- Stay Arm Hinge
- 10- Stay Arm Bearing & Pin
- 11- Bottom Corner Bearing
- 12- Bottom Corner Hinge
- 13- Hinge Cover Set
- 14- Locking Strikers
- 15- 2D Adjustable Middle Hinge


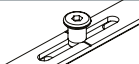






Tilt And Turn Systems

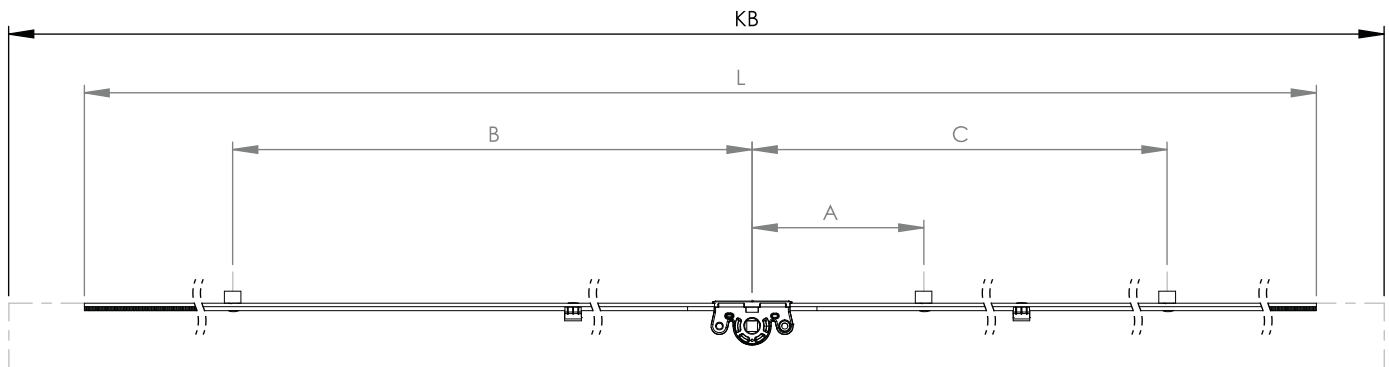
● Espagnolettes







● 7,5 mm Backset Espagnolette



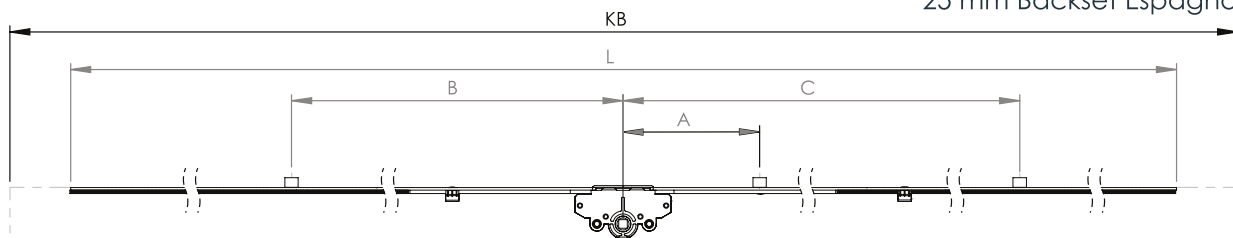
|  |  | KB | L | A | B | C |  |  |  | Qty.  | Kg |
|---|---|-----------|------|-----|-----|-----|---|---|---|--|----|
| 01.TTS102.00.00 | - | 450-550 | 250 | - | - | - | - | - | - | 20 | - |
| 01.TTS102.00.01 | - | 550-700 | 400 | - | - | - | 2 | - | - | 20 | - |
| 01.TTS102.01.02 | 01.TTS102.02.02 | 700-1200 | 900 | 111 | - | - | 3 | 1 | ✓ | 20 | - |
| 01.TTS102.01.03 | 01.TTS102.02.03 | 900-1400 | 1100 | 111 | - | - | 5 | 1 | ✓ | 20 | - |
| 01.TTS102.01.04 | 01.TTS102.02.04 | 1200-1700 | 1400 | 248 | 248 | - | 8 | 2 | ✓ | 20 | - |
| 01.TTS102.01.05 | 01.TTS102.02.05 | 1700-2200 | 1900 | 350 | 350 | - | 8 | 2 | ✓ | 20 | - |
| 01.TTS102.01.06 | 01.TTS102.02.06 | 1900-2400 | 2100 | 111 | 500 | 500 | 9 | 3 | ✓ | 20 | - |

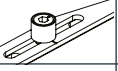
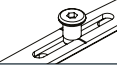

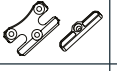


● 15 mm Backset Espagnolette



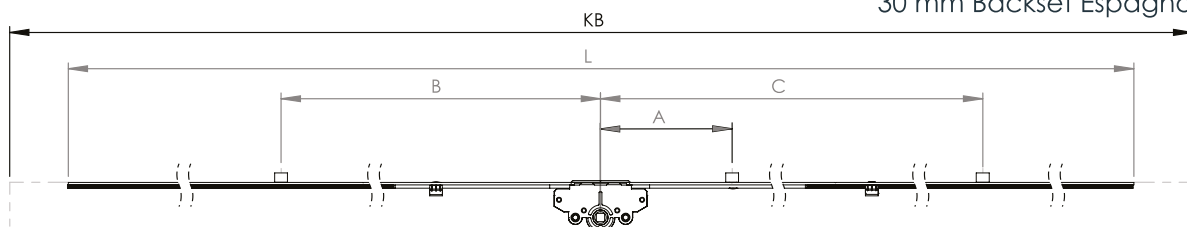
|  |  | KB | L | A | B | C |  |  |  | Qty.  | Kg |
|---|---|-----------|------|-----|-----|-----|---|---|---|--|-------|
| 01.TTS100.00.00 | - | 450-550 | 250 | - | - | - | - | - | - | 20 | 4,50 |
| 01.TTS100.00.01 | - | 550-700 | 400 | - | - | - | 2 | - | - | 20 | 8,85 |
| 01.TTS100.01.02 | 01.TTS100.02.02 | 700-1200 | 900 | 111 | - | - | 3 | 1 | ✓ | 20 | 10,60 |
| 01.TTS100.01.03 | 01.TTS100.02.03 | 900-1400 | 1100 | 111 | - | - | 5 | 1 | ✓ | 20 | 13,32 |
| 01.TTS100.01.04 | 01.TTS100.02.04 | 1200-1700 | 1400 | 248 | 248 | - | 8 | 2 | ✓ | 20 | 18,35 |
| 01.TTS100.01.05 | 01.TTS100.02.05 | 1700-2200 | 1900 | 350 | 350 | - | 8 | 2 | ✓ | 20 | 20,18 |
| 01.TTS100.01.06 | 01.TTS100.02.06 | 1900-2400 | 2100 | 111 | 500 | 500 | 9 | 3 | ✓ | 20 | - |

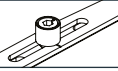
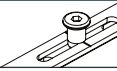

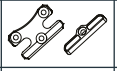


25 mm Backset Espagnolette



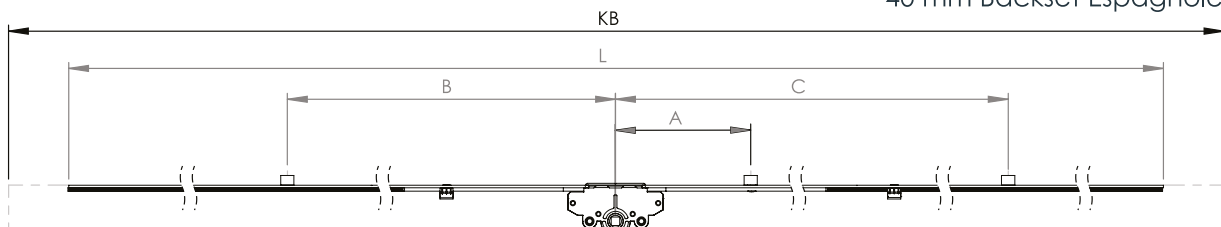
|  |  | KB | L | A | B | C |  |  |  | Qty.  | Kg |
|---|---|-----------|------|-----|-----|-----|--|---|---|--|-------|
| 01.TTS105.00.00 | - | 450-550 | 250 | - | - | - | - | - | - | 20 | - |
| 01.TTS105.00.01 | - | 550-700 | 400 | - | - | - | 2 | - | ✓ | 20 | - |
| 01.TTS105.01.02 | 01.TTS105.02.02 | 700-1200 | 900 | 111 | - | - | 3 | 1 | ✓ | 20 | - |
| 01.TTS105.01.03 | 01.TTS105.02.03 | 900-1400 | 1100 | 111 | - | - | 5 | 1 | ✓ | 20 | 14,55 |
| 01.TTS105.01.04 | 01.TTS105.02.04 | 1200-1700 | 1400 | 248 | 248 | - | 8 | 2 | ✓ | 20 | 20,20 |
| 01.TTS105.01.05 | 01.TTS105.02.05 | 1700-2200 | 1900 | 350 | 350 | - | 8 | 2 | ✓ | 20 | 22,00 |
| 01.TTS105.01.06 | 01.TTS105.02.06 | 1900-2400 | 2100 | 111 | 500 | 500 | 9 | 3 | ✓ | 20 | - |

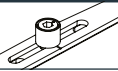
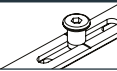




30 mm Backset Espagnolette



|  |  | KB | L | A | B | C |  |  |  | Qty.  | Kg |
|---|---|-----------|------|-----|-----|-----|--|---|---|--|-------|
| 01.TTS101.00.00 | - | 450-550 | 250 | - | - | - | - | - | - | 20 | - |
| 01.TTS101.00.01 | - | 550-700 | 400 | - | - | - | 2 | - | ✓ | 20 | - |
| 01.TTS101.01.02 | 01.TTS101.02.02 | 700-1200 | 900 | 111 | - | - | 3 | 1 | ✓ | 20 | - |
| 01.TTS101.01.03 | 01.TTS101.02.03 | 900-1400 | 1100 | 111 | - | - | 5 | 1 | ✓ | 20 | 14,55 |
| 01.TTS101.01.04 | 01.TTS101.02.04 | 1200-1700 | 1400 | 248 | 248 | - | 8 | 2 | ✓ | 20 | 20,20 |
| 01.TTS101.01.05 | 01.TTS101.02.05 | 1700-2200 | 1900 | 350 | 350 | - | 8 | 2 | ✓ | 20 | 22,00 |
| 01.TTS101.01.06 | 01.TTS101.02.06 | 1900-2400 | 2100 | 111 | 500 | 500 | 9 | 3 | ✓ | 20 | - |

40 mm Backset Espagnolette

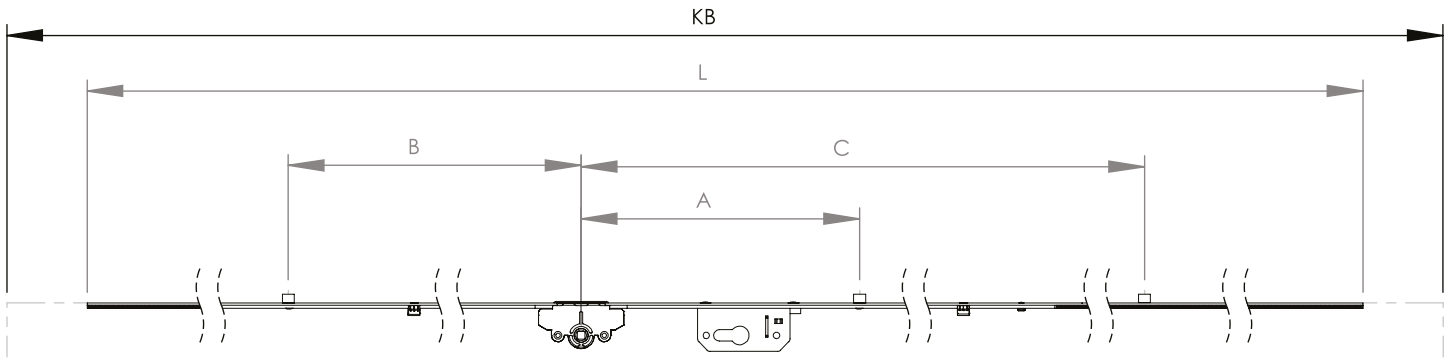


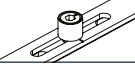
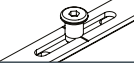

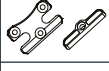


|  |  | KB | L | A | B | C |  |  |  | Qty.  | Kg |
|---|---|-----------|------|-----|-----|-----|--|---|---|--|-------|
| 01.TTS104.00.00 | - | 450-550 | 250 | - | - | - | - | - | - | 20 | - |
| 01.TTS104.00.01 | - | 550-700 | 400 | - | - | - | 2 | - | ✓ | 20 | - |
| 01.TTS104.01.02 | 01.TTS104.02.02 | 700-1200 | 900 | 111 | - | - | 3 | 1 | ✓ | 20 | - |
| 01.TTS104.01.03 | 01.TTS104.02.03 | 900-1400 | 1100 | 111 | - | - | 5 | 1 | ✓ | 20 | 14,55 |
| 01.TTS104.01.04 | 01.TTS104.02.04 | 1200-1700 | 1400 | 248 | 248 | - | 8 | 2 | ✓ | 20 | 20,20 |
| 01.TTS104.01.05 | 01.TTS104.02.05 | 1700-2200 | 1900 | 350 | 350 | - | 8 | 2 | ✓ | 20 | 22,00 |
| 01.TTS104.01.06 | 01.TTS104.02.06 | 1900-2400 | 2100 | 111 | 500 | 500 | 9 | 3 | ✓ | 20 | - |

Tilt And Turn Systems

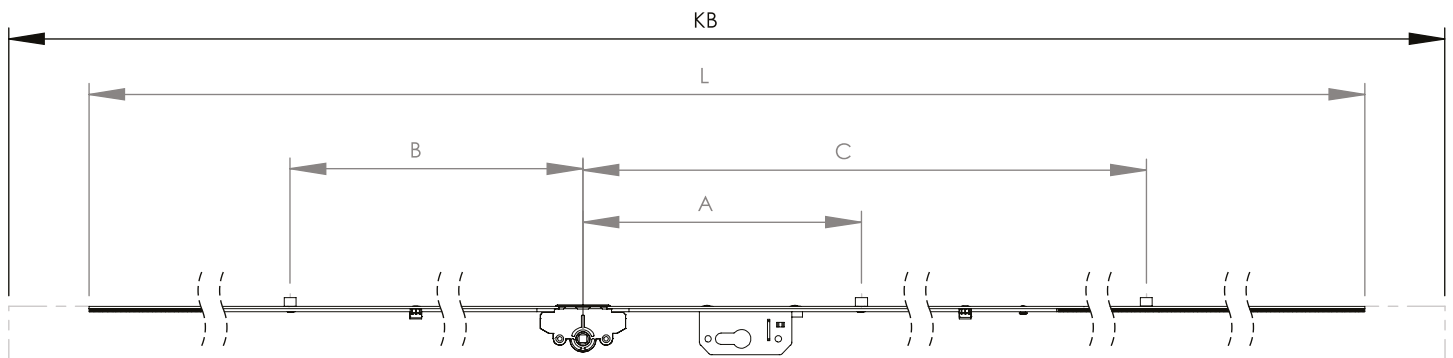
- Espagnolettes

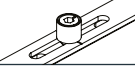
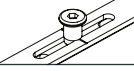

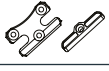


- 25 mm Backset Lockable Espagnolette



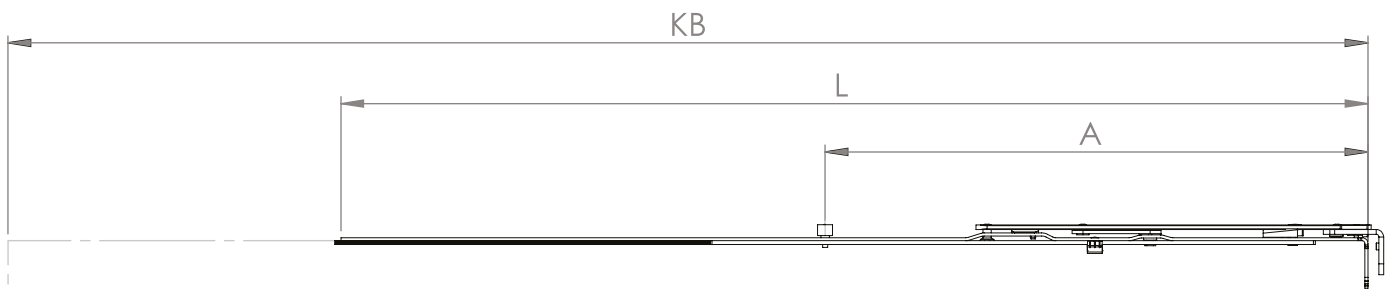
|  |  | KB | L | A | B | C |  |  |  | Qty. |  | Kg |
|---|---|-------------|------|-----|-----|-----|---|---|---|------|---|----|
| 01.TTS106.01.04 | 01.TTS106.02.04 | 1200 - 1700 | 1400 | 258 | 258 | - | 8 | 2 | ✓ | 20 | - | - |
| 01.TTS106.01.05 | 01.TTS106.02.05 | 1700 - 2200 | 1900 | 350 | 350 | - | 8 | 2 | ✓ | 20 | - | - |
| 01.TTS106.01.06 | 01.TTS106.02.06 | 1900 - 2400 | 2100 | 112 | 501 | 501 | 9 | 3 | ✓ | 20 | - | - |

- 30 mm Backset Lockable Espagnolette



|  |  | KB | L | A | B | C |  |  |  | Qty. |  | Kg |
|---|---|-------------|------|-----|-----|-----|---|---|---|------|---|----|
| 01.TTS103.01.04 | 01.TTS103.02.04 | 1200 - 1700 | 1400 | 258 | 258 | - | 8 | 2 | ✓ | 20 | - | - |
| 01.TTS103.01.05 | 01.TTS103.02.05 | 1700 - 2200 | 1900 | 350 | 350 | - | 8 | 2 | ✓ | 20 | - | - |
| 01.TTS103.01.06 | 01.TTS103.02.06 | 1900 - 2400 | 2100 | 112 | 501 | 501 | 9 | 3 | ✓ | 20 | - | - |

Stay Arm



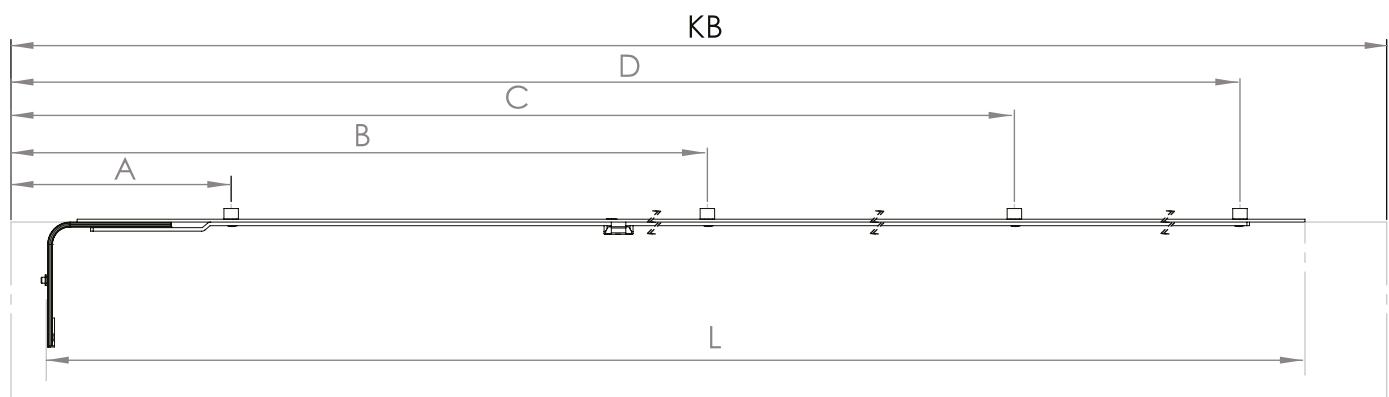
Tilt & Turn Stay Arm

| | | KB | L | A | | | Qty. | | Kg |
|-----------------|-----------------|----------|------|-----|---|---|------|--|-------|
| 01.TTS200.00.01 | - | 350-600 | 450 | - | 4 | - | 20 | | 6,40 |
| 01.TTS200.00.02 | - | 400-650 | 500 | - | 4 | - | 20 | | 7,30 |
| 01.TTS200.01.03 | 01.TTS200.02.03 | 650-900 | 750 | 395 | 6 | 1 | 20 | | 9,84 |
| 01.TTS200.01.04 | 01.TTS200.02.04 | 900-1150 | 1000 | 592 | 9 | 1 | 20 | | 12,69 |

Tilt First Stay Arm

| | | KB | L | A | | | Qty. | | Kg |
|-----------------|-----------------|----------|------|-----|---|---|------|--|-------|
| 01.TTS201.00.01 | - | 350-600 | 450 | - | 4 | - | 20 | | 6,40 |
| 01.TTS201.00.02 | - | 400-650 | 500 | - | 4 | - | 20 | | 7,30 |
| 01.TTS201.01.03 | 01.TTS201.02.03 | 650-900 | 750 | 395 | 6 | 1 | 20 | | 9,84 |
| 01.TTS201.01.04 | 01.TTS201.02.04 | 900-1150 | 1000 | 592 | 9 | 1 | 20 | | 12,69 |

Middle Lock

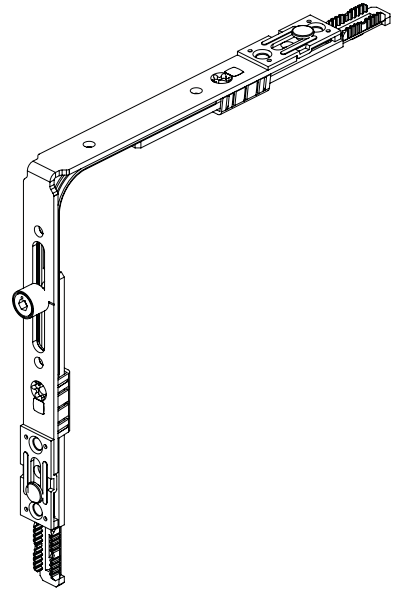
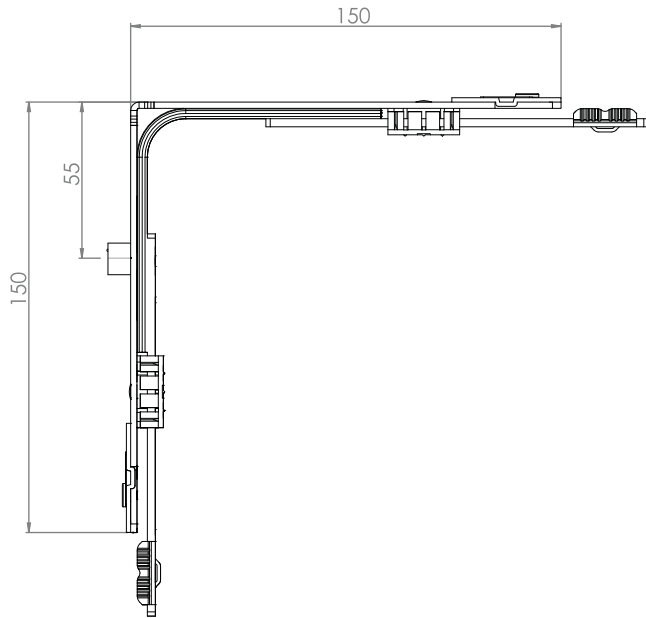


| | | KB | L | A | B | C | D | | | Qty. | | Kg |
|-----------------|-----------------|-----------|--------|-------|-------|------|------|----|---|------|--|-------|
| 01.TTS300.01.01 | 01.TTS300.02.01 | 280-600 | 192,5 | 147,5 | - | - | - | 1 | 1 | 20 | | 1,83 |
| 01.TTS300.01.02 | 01.TTS300.02.02 | 600-850 | 337,5 | 295 | - | - | - | 1 | 1 | 20 | | 3,27 |
| 01.TTS300.01.03 | 01.TTS300.02.03 | 850-1150 | 527 | 147,5 | 485 | - | - | 5 | 2 | 20 | | 4,90 |
| 01.TTS300.01.04 | 01.TTS300.02.04 | 850-1400 | 697,5 | 147,5 | 655 | - | - | 5 | 2 | 20 | | 6,20 |
| 01.TTS300.01.05 | 01.TTS300.02.05 | 1150-1400 | 775 | 147,5 | 732,5 | - | - | 5 | 2 | 20 | | 7,75 |
| 01.TTS300.01.06 | 01.TTS300.02.06 | 1300-1650 | 1025 | 147,5 | 485 | 982 | - | 8 | 3 | 20 | | 9,50 |
| 01.TTS300.01.07 | 01.TTS300.02.07 | 1650-1900 | 1270,5 | 147,5 | 732,5 | 1228 | - | 8 | 3 | 20 | | 11,85 |
| 01.TTS300.01.08 | 01.TTS300.02.07 | 1900-2200 | 1672 | 147,5 | 732,5 | 1228 | 1629 | 11 | 4 | 20 | | 15,50 |

Tilt And Turn Systems

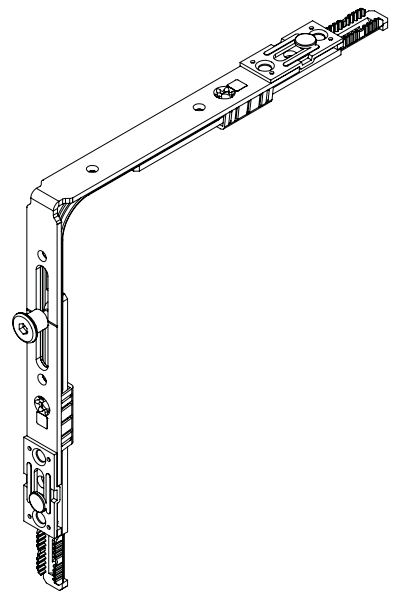
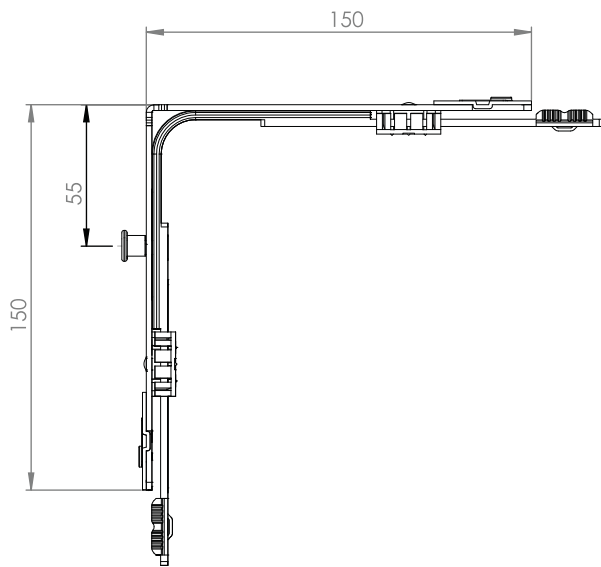
- Corner Drives

- Corner Drive - 1 Standard Pin (1-ELP)



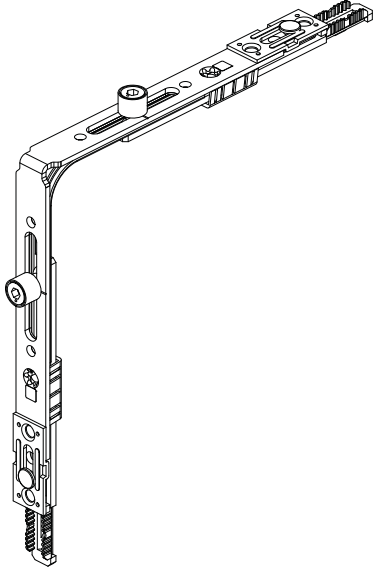
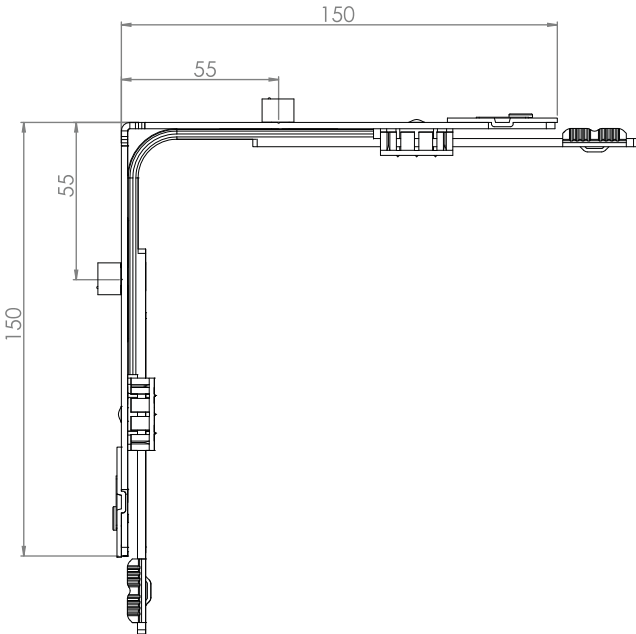
| | | | | | Qty. | Kg |
|-----------------|---|---|---|-----|-------|----|
| 01.TTS401.00.01 | ✓ | 4 | 1 | 100 | 15,75 | |

- Corner Drive - 1 Security Pin (1-GLP)



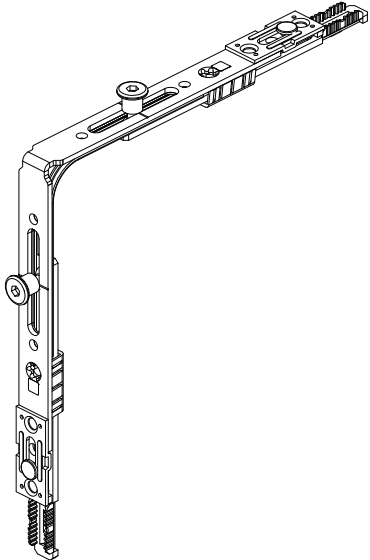
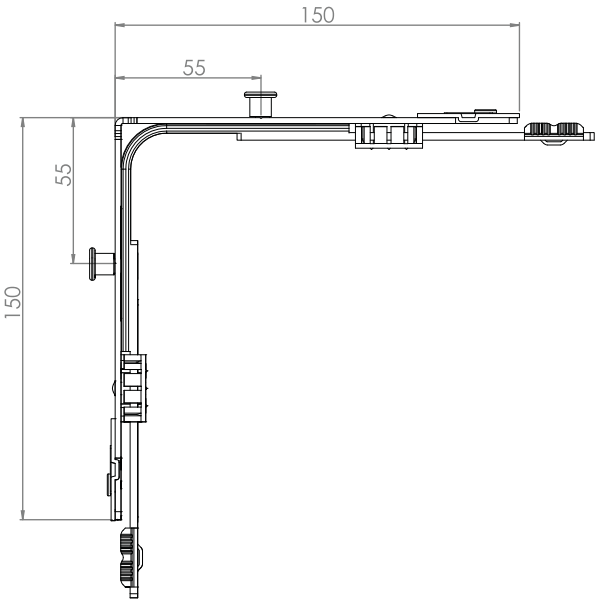
| | | | | | Qty. | Kg |
|-----------------|---|---|---|-----|-------|----|
| 01.TTS401.00.02 | ✓ | 4 | 1 | 100 | 15,75 | |

Corner Drive - 2 Standard Pin (2-ELP) ●



| | | | | | |
|-----------------|---|---|---|-------------|-----------|
| | | | | Qty. | Kg |
| 01.TTS401.00.11 | ✓ | 4 | 2 | 100 | 15,75 |

Corner Drive - 2 Security Pin (2-GLP) ●

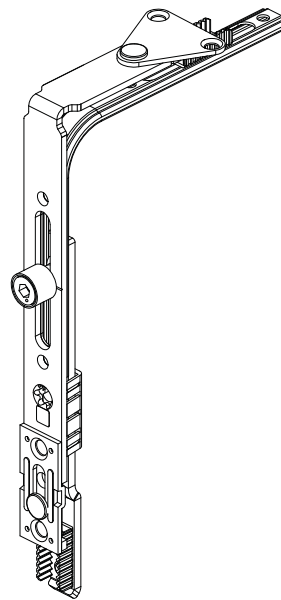
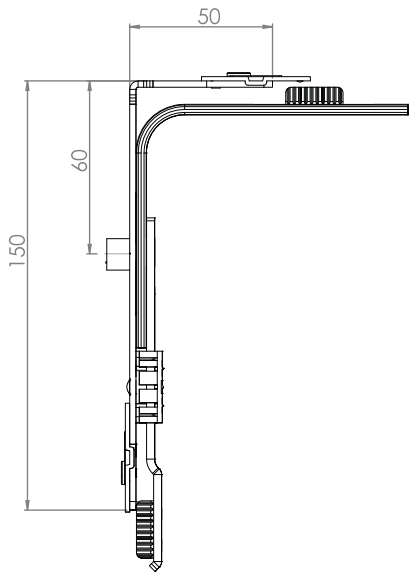


| | | | | | |
|-----------------|---|---|---|-------------|-----------|
| | | | | Qty. | Kg |
| 01.TTS401.00.22 | ✓ | 4 | 2 | 100 | 15,75 |

Tilt And Turn Systems

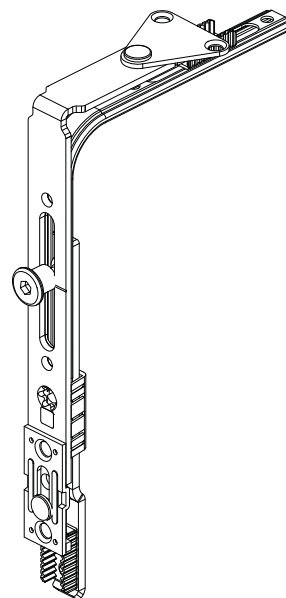
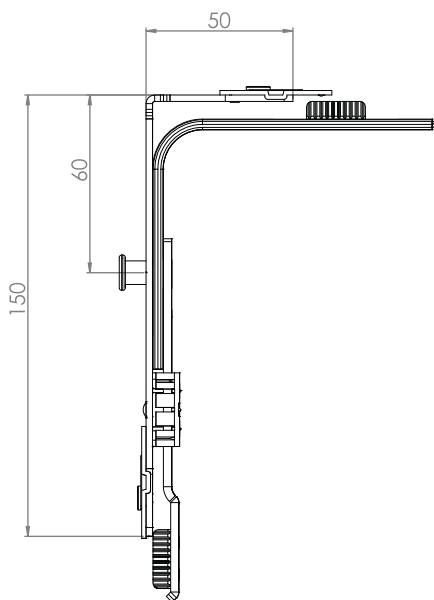
- Corner Drives

- Corner Drive Narrow - 1 Standard Pin (1-ELP)



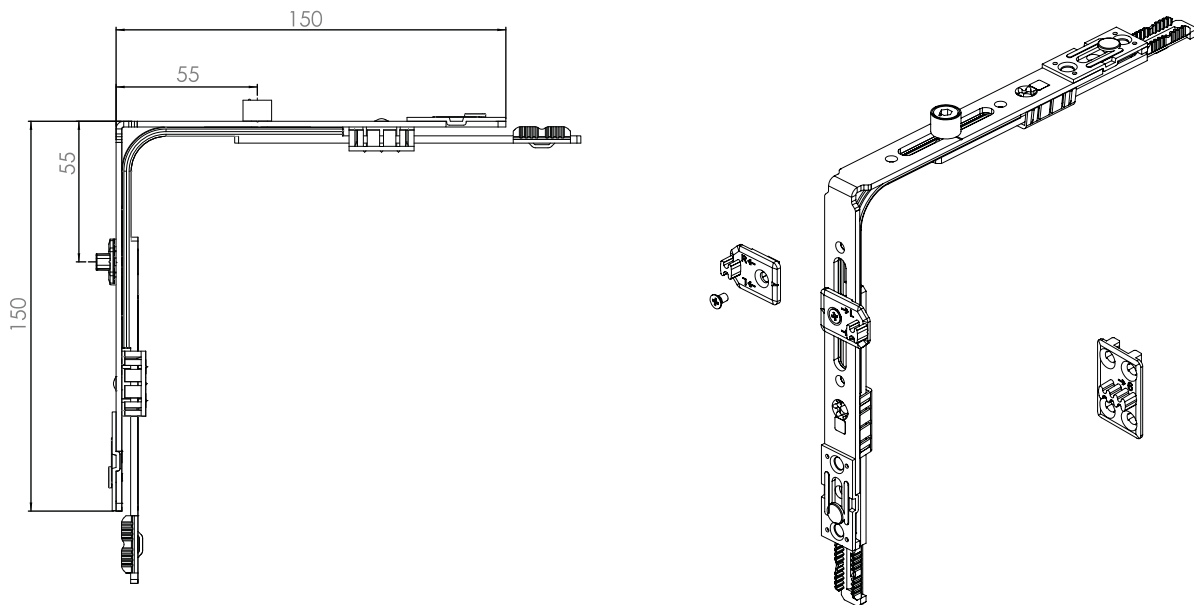
| | | | | | Qty. | Kg |
|-----------------|---|---|---|-----|-------|----|
| 01.TTS401.01.01 | ✓ | 4 | 1 | 100 | 15,75 | |

- Corner Drive Narrow - 1 Security Pin (1-GLP)



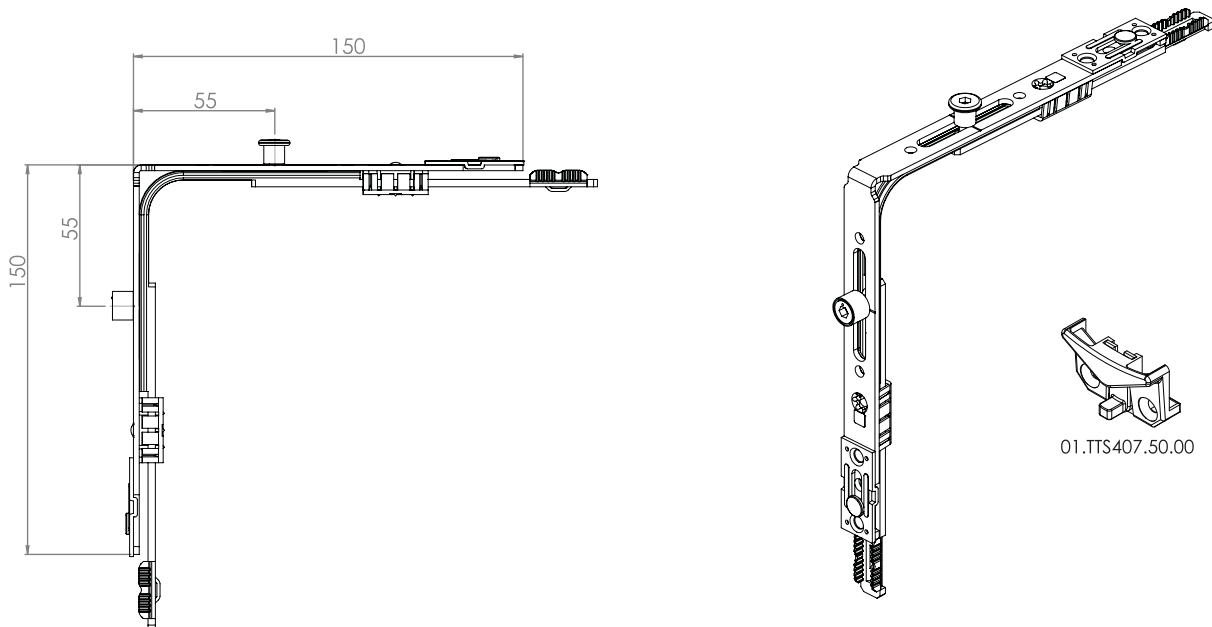
| | | | | | Qty. | Kg |
|-----------------|---|---|---|-----|-------|----|
| 01.TTS401.01.02 | ✓ | 4 | 1 | 100 | 15,75 | |

Corner Drive Gradual Ventilation - 1 Standard Pin (1-ELP) ●



| | | | | | Qty. | Kg |
|-----------------|---|---|---|-----|-------|----|
| 01.TTS401.00.13 | ✓ | 4 | 1 | 100 | 15,75 | |

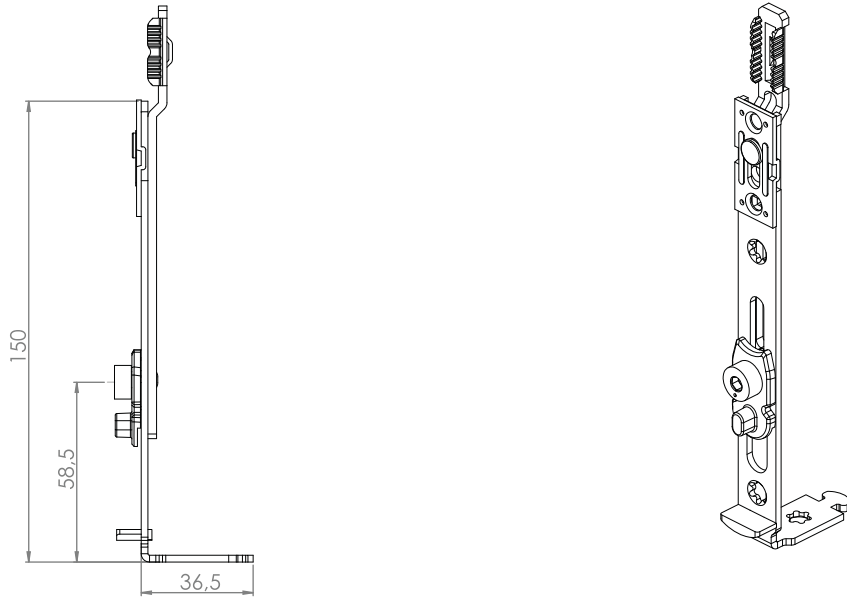
Corner Drive - 1 Standard Pin + 1 Security Pin (1-ELP + 1-GLP) ●



| | | | | | | Qty. | Kg |
|-----------------|---|---|---|---|-----|-------|----|
| 01.TTS401.00.12 | ✓ | ✓ | 4 | 2 | 100 | 15,75 | |

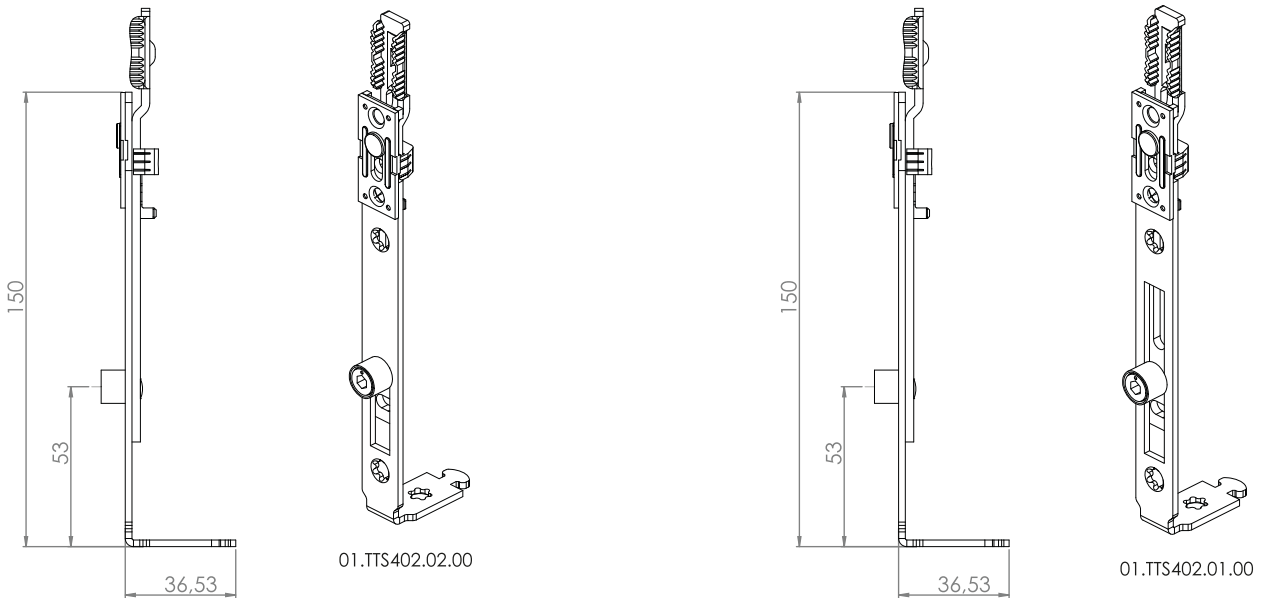
Tilt And Turn Systems

- Bottom Tilt Lock

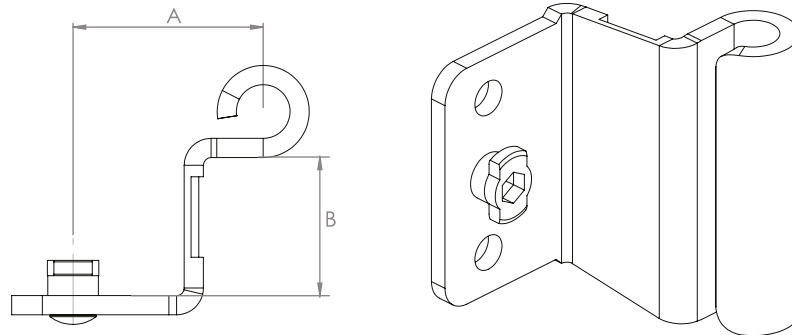




| | | | | Qty. | Kg |
|-----------------|---|---|---|------|------|
| 01.TTS402.00.00 | ✓ | 4 | 1 | 100 | 4,40 |

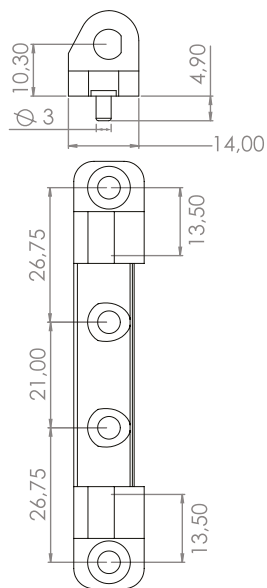
- Bottom And Top End Lock



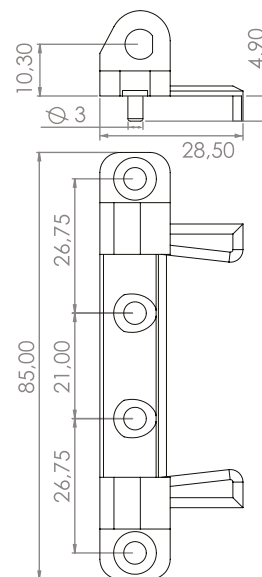
| | | | | Qty. | Kg |
|-----------------|---|---|---|------|------|
| 01.TTS402.01.00 | ✓ | 4 | 1 | 100 | 4,40 |
| 01.TTS402.02.00 | ✓ | 4 | 1 | 100 | 4,40 |





|  | A | B | Qty.  | Kg |
|---|----|----|--|------|
| 01.TTS403.01.00 | 9 | 20 | 100 | 5,71 |
| 01.TTS403.02.00 | 13 | 20 | 100 | 5,95 |
| 01.TTS403.04.00 | 14 | 20 | 100 | 6,00 |



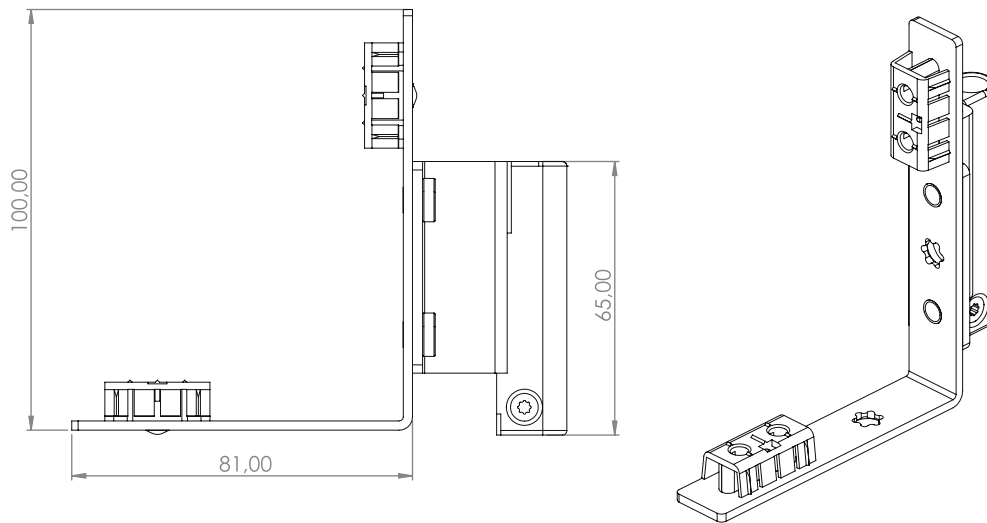
01.TTS.405.01.00





01.TTS.405.00.00

|  | Qty.  | Kg |
|---|--|------|
| 01.TTS405.00.00 | 100 | 6,02 |
| 01.TTS405.01.00 | 100 | 5,60 |

Rebate Hinge ●



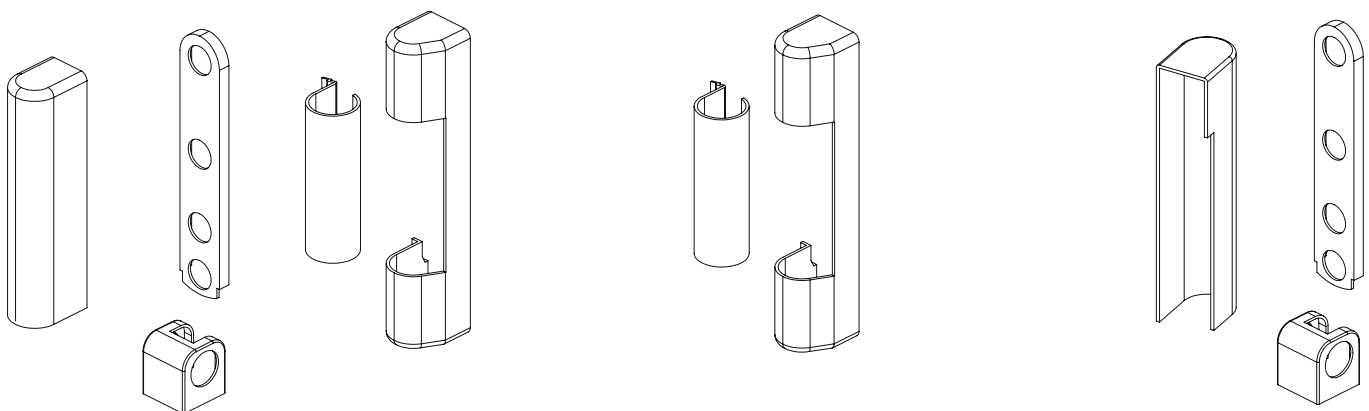
|  | A | Qty.  | Kg |
|---|----------|--|------|
| 01.TTS600.R1.00 | 13 Right | 100 | 14,7 |
| 01.TTS600.L1.00 | 13 Left | 100 | 14,7 |
| 01.TTS600.R2.00 | 9 Right | 100 | 14,7 |
| 01.TTS600.L2.00 | 9 Left | 100 | 14,7 |



Hinge Cover Set ●

01.TTS408.00.01

01.TTS408.01.01

01.TTS408.L2.01 (LEFT)
01.TTS408.R2.01 (RIGHT)

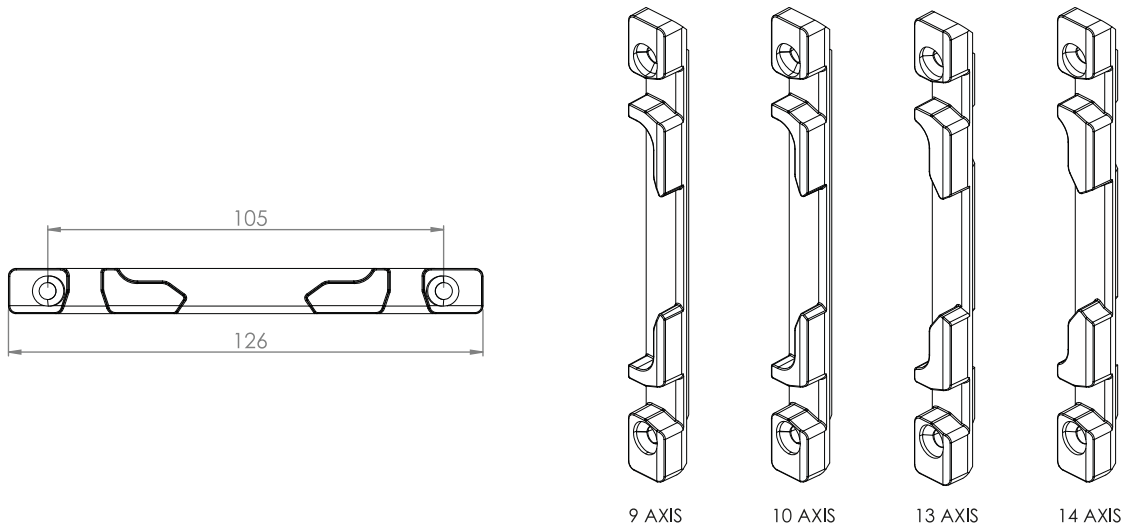




|  | Qty.  | Kg |
|---|--|------|
| 01.TTS408.00.01 | 100 | 1,14 |
| 01.TTS408.01.01 | 100 | 0,60 |
| 01.TTS408.L2.01 | 100 | 1,14 |
| 01.TTS408.R2.01 | 100 | 1,14 |

Tilt And Turn Systems

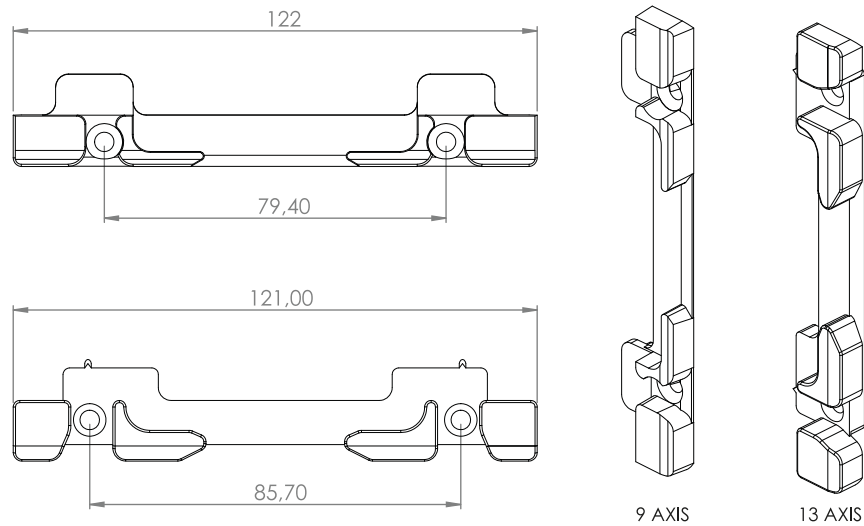
Tilt Locking Plates



Pivot Tilt Locking Plates



|  | A | Qty.  | Kg |
|---|----|--|------|
| 01.TTS407.11.00 | 9 | 100 | 4,40 |
| 01.TTS407.13.00 | 10 | 100 | 3,85 |
| 01.TTS407.12.00 | 13 | 100 | 4,17 |
| 01.TTS407.14.00 | 14 | 100 | 4,20 |

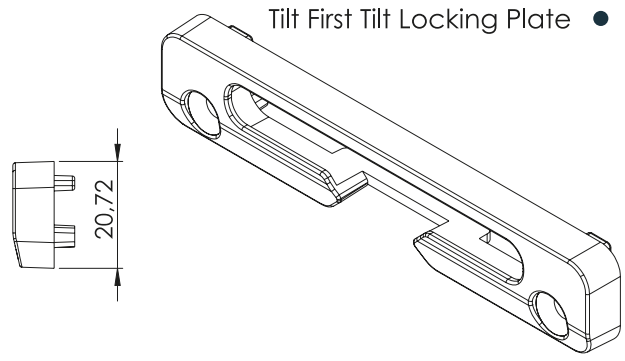
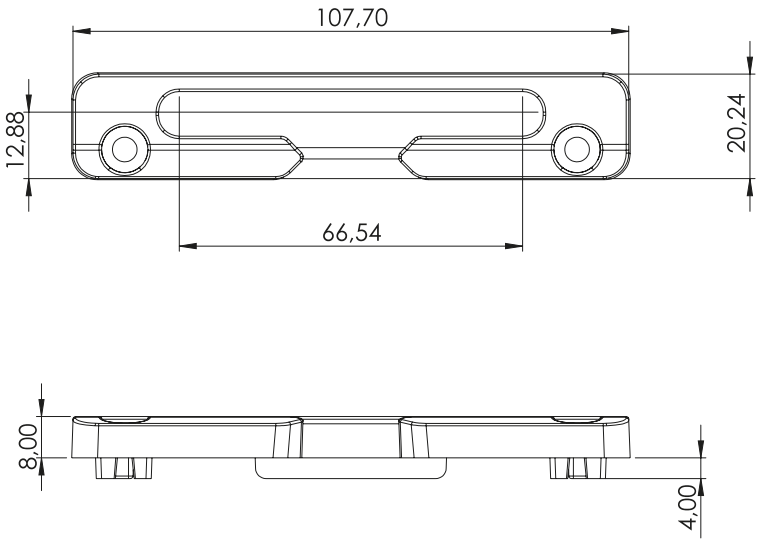
Pivot Tilt Locking Plates - For Aluminium



|  | Axis | Qty.  | Kg |
|---|------|--|-----|
| 01.TTS407.16.00 | 13 | 100 | 4,2 |
| 01.TTS407.15.00 | 9 | 100 | 4,4 |

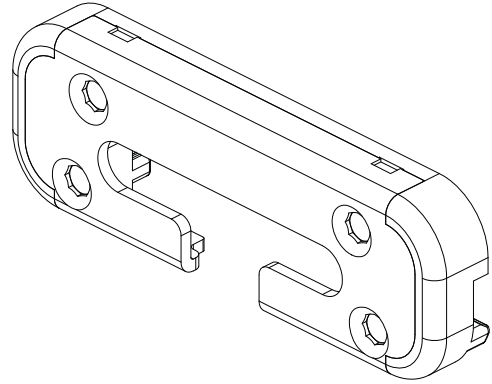
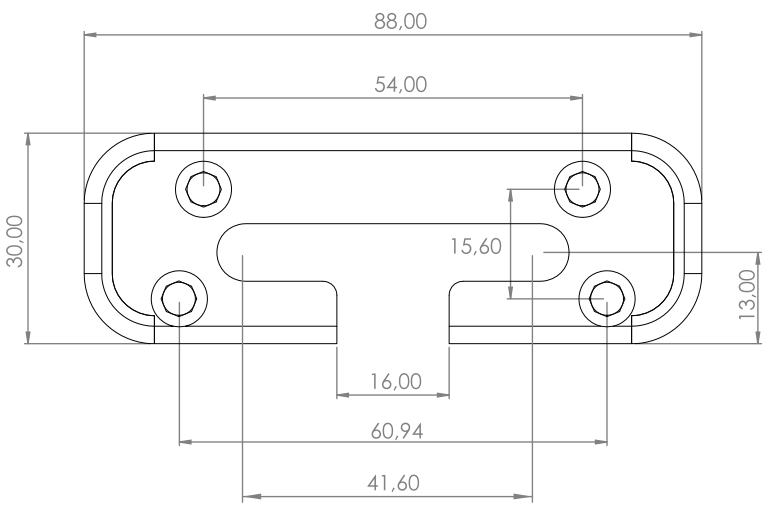
Tilt Locking Plates

Tilt First Tilt Locking Plate



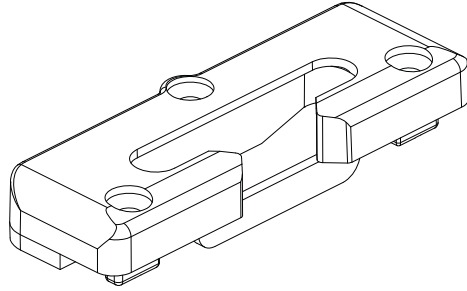
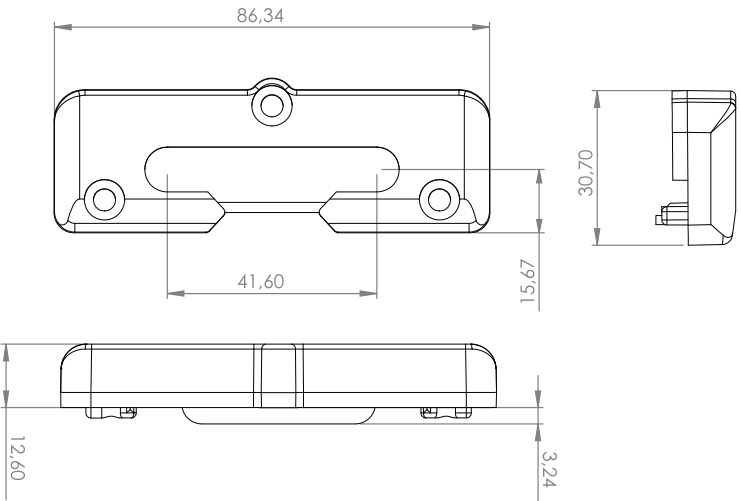
| | Axis | Qty. | Kg |
|-----------------|------|------|------|
| 01.TTS407.42.00 | 13 | 100 | 4,49 |

Security Tilt Locking Plate - Steel



| | Axis | Qty. | Kg |
|-----------------|------|------|------|
| 01.TTS407.21.00 | 9 | 100 | 4,49 |
| 01.TTS407.22.00 | 13 | 100 | 4,38 |

Security Tilt Locking Plate - Zinc

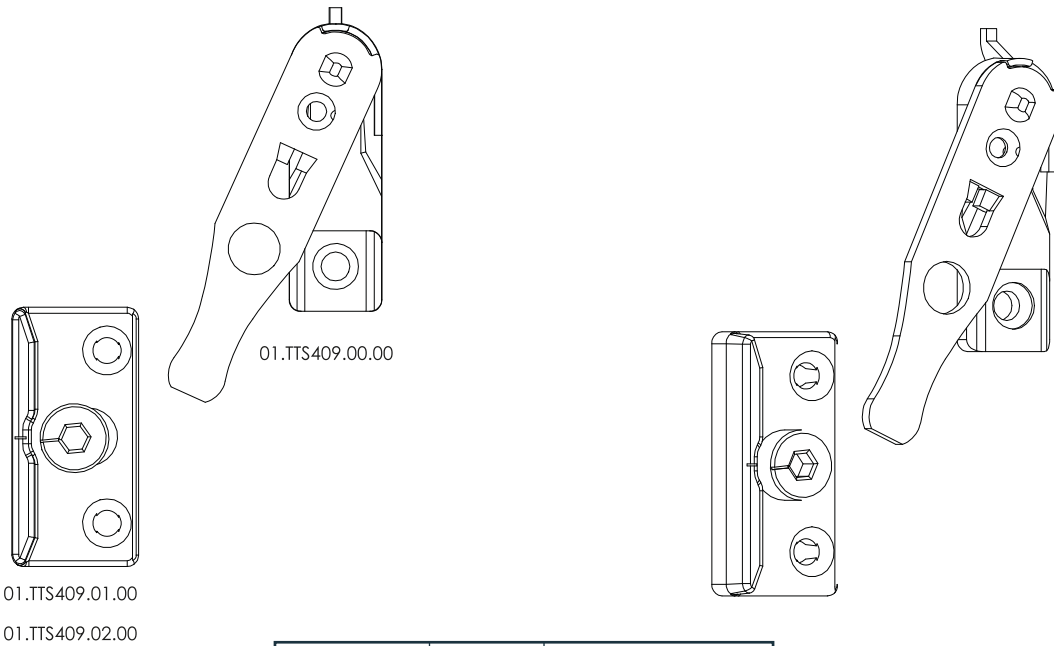




| | Axis | Qty. | Kg |
|-----------------|------|------|------|
| 01.TTS407.32.00 | 13 | 100 | 7,35 |

Tilt And Turn Systems

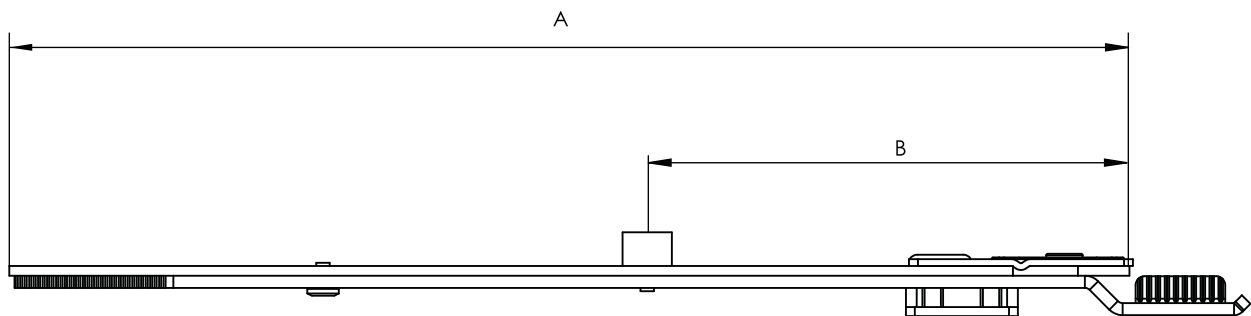
- Faulty Usage Blocker & Extension Lock



- Faulty Usage Blocker & Sash Lifter

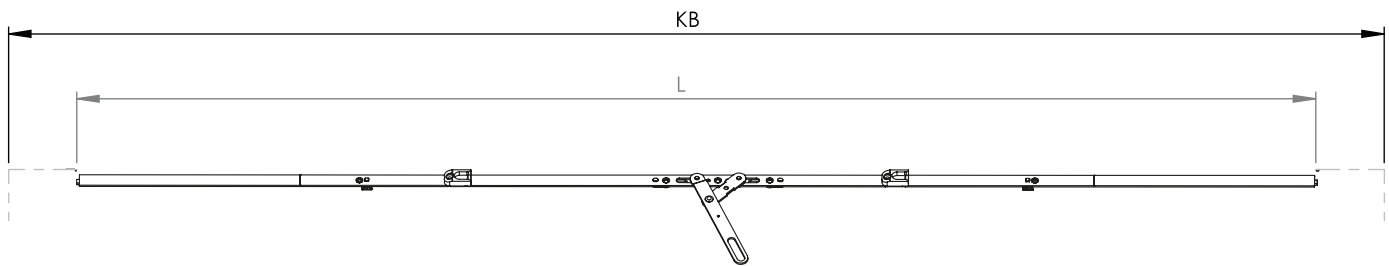





|  | Axis | Qty.  | Kg |
|--|------|---|------|
| 01.TTS409.01.00 | 9 | 100 | 2,85 |
| 01.TTS409.02.00 | 13 | 100 | 2,87 |
| 01.TTS409.00.00 | - | 100 | 3,42 |

- Extension Gears

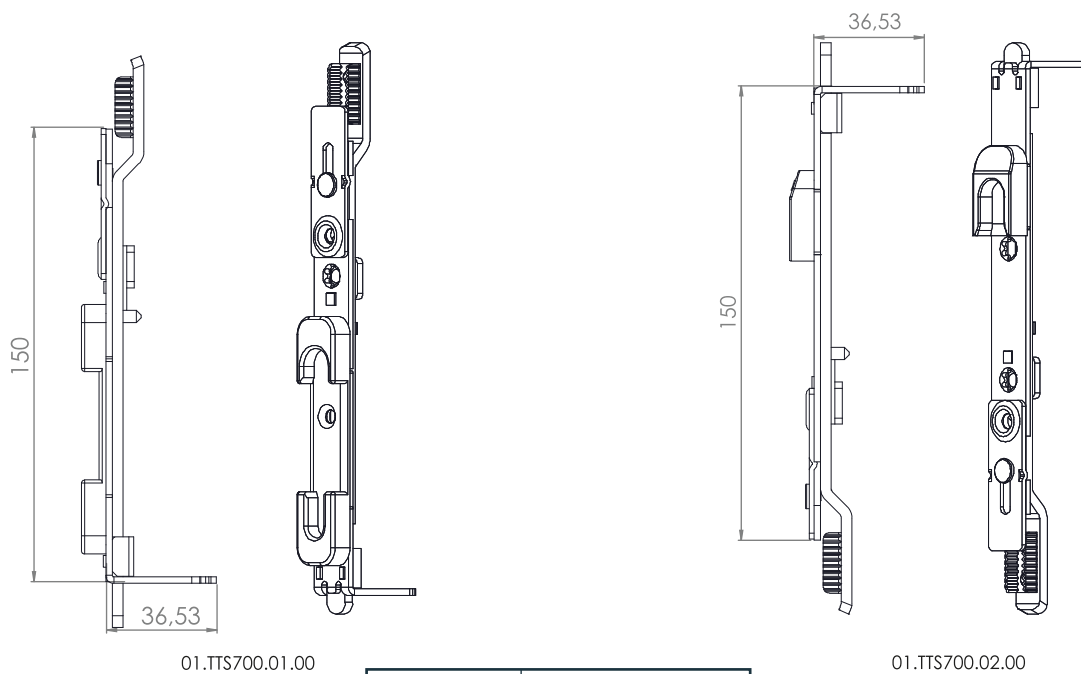


|  | | B | Qty.  | Kg |
|---|-----|----|---|----|
| 01.TTS410.01.01 | 250 | 81 | 100 | - |
| 01.TTS410.02.00 | 500 | 81 | 100 | - |





|  | KB | L |  | Qty.  | Kg |
|---|-----------|------|---|--|-------|
| 01.TTS500.00.01 | 500-700 | 400 | 2 | 10 | 2,50 |
| 01.TTS500.00.02 | 700-1200 | 900 | 2 | 10 | 5,00 |
| 01.TTS500.00.03 | 900-1400 | 1100 | 2 | 10 | 5,75 |
| 01.TTS500.00.04 | 1200-1700 | 1400 | 2 | 10 | 7,30 |
| 01.TTS500.00.05 | 1700-2200 | 1900 | 3 | 10 | 9,750 |
| 01.TTS500.00.06 | 1900-2400 | 2100 | 3 | 10 | 12,00 |

Espagnollette Operated Bottom And Top Shootbolt ●



01.TTS700.01.00

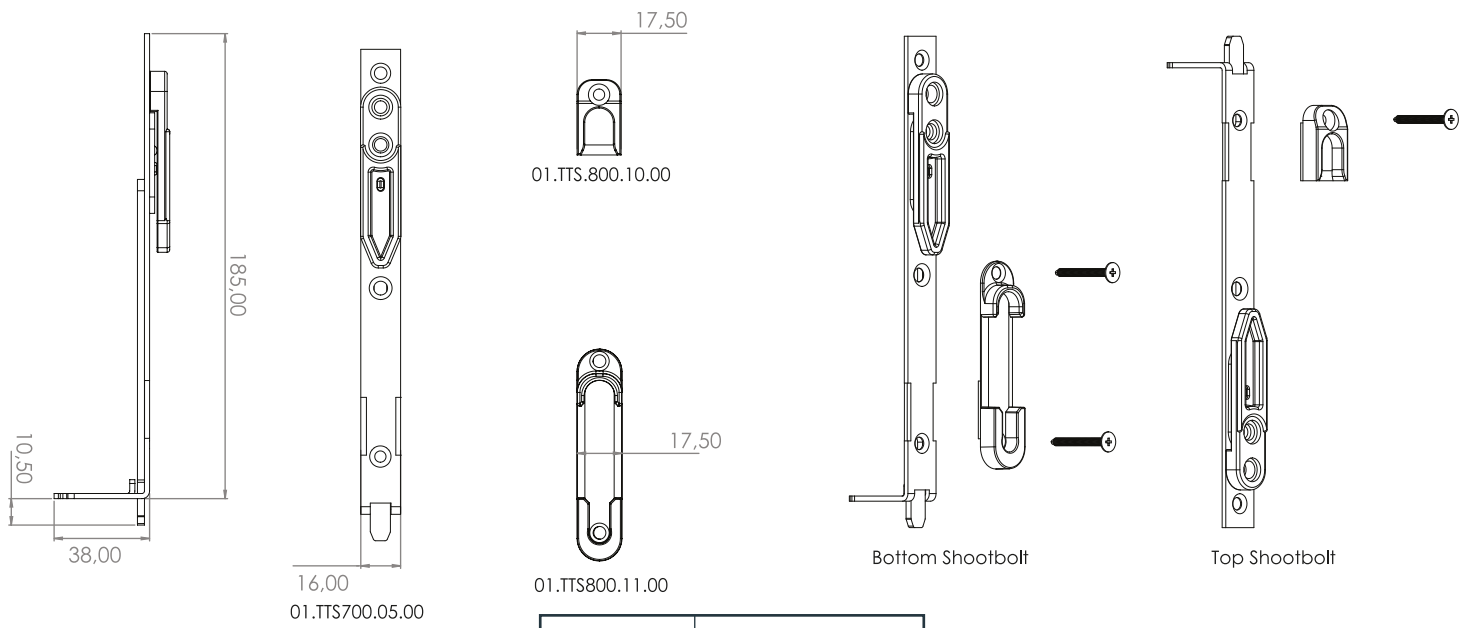
01.TTS700.02.00

|  | Qty.  | Kg |
|---|--|-------|
| 01.TTS700.01.00 | 100 | 13,35 |
| 01.TTS700.02.00 | 100 | 11,45 |

Tilt And Turn Systems

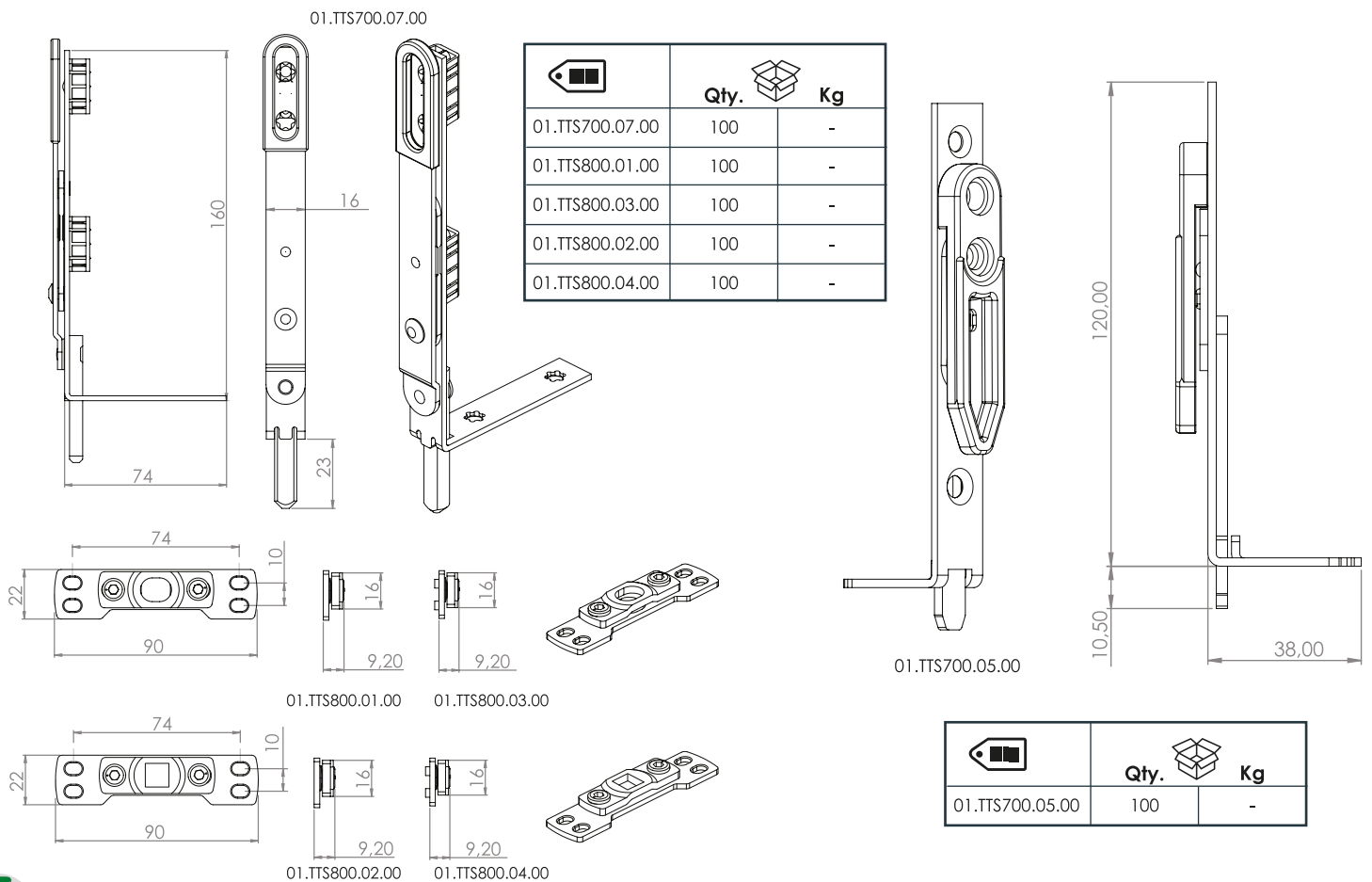
● Double Sash Systems

● Lever Operated Bottom And Top Shootbolt



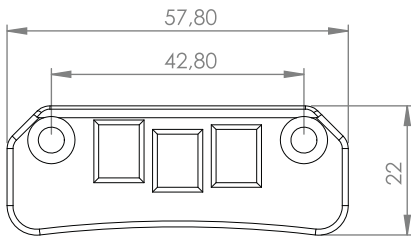
| | Qty. | Kg |
|-----------------|------|----|
| 01.TTS700.05.00 | 100 | - |
| 01.TTS800.10.00 | 100 | - |
| 01.TTS800.11.00 | 100 | - |

● Lever Operated Shootbolt (Small)

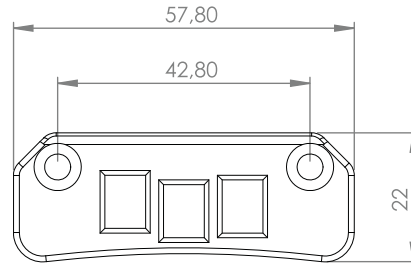


| | Qty. | Kg |
|-----------------|------|----|
| 01.TTS700.05.00 | 100 | - |

Shootbolt Striker



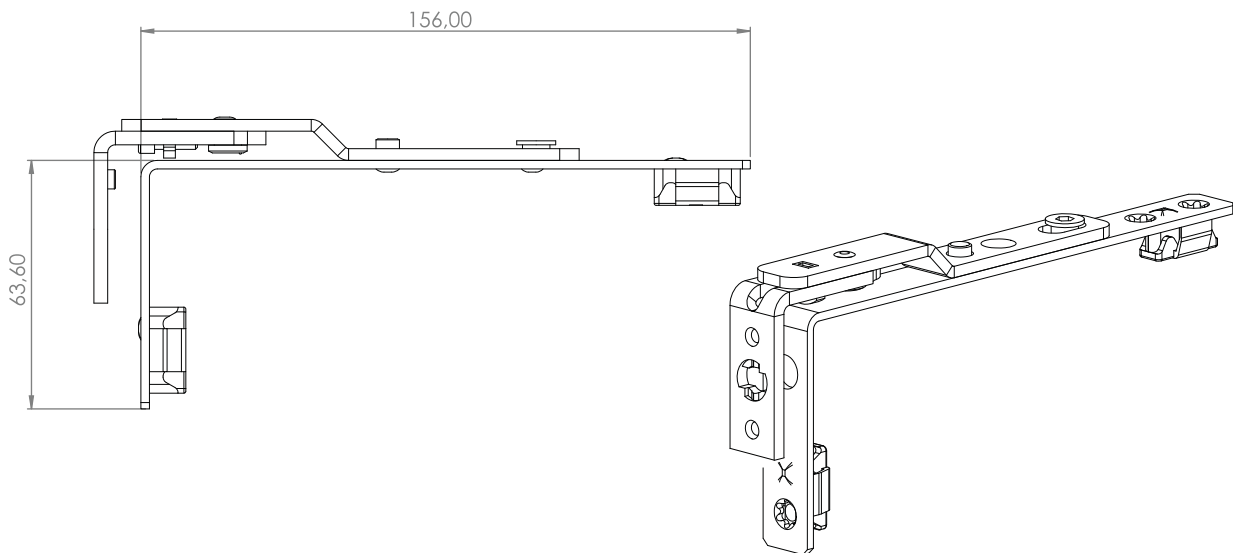
01.TTS800.06.00





01.TTS800.07.00

|  | Axis | Qty.  | Kg |
|---|------|--|------|
| 01.TTS800.06.00 | 9 | 100 | 4,49 |
| 01.TTS800.07.00 | 13 | 100 | 4,38 |

Side Hung Sash Hinge

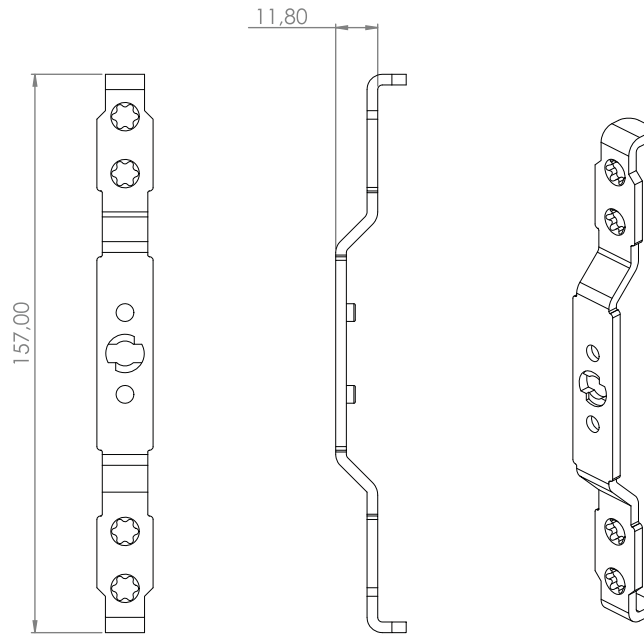




|  | Qty.  | Kg |
|---|--|--------|
| 01.TTS600.00.00 | 100 | 11,080 |

Tilt And Turn Systems

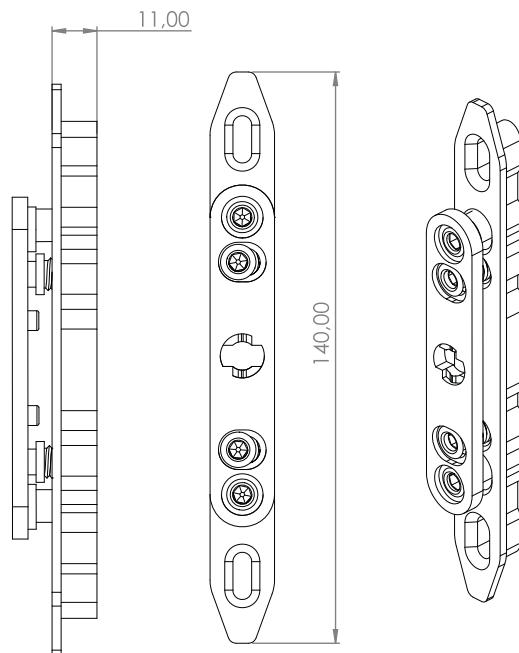
- Double Sash Systems



- Middle Hinge Body



|  | Qty.  | Kg |
|---|--|--------|
| 01.TTS600.02.00 | 100 | 11,080 |

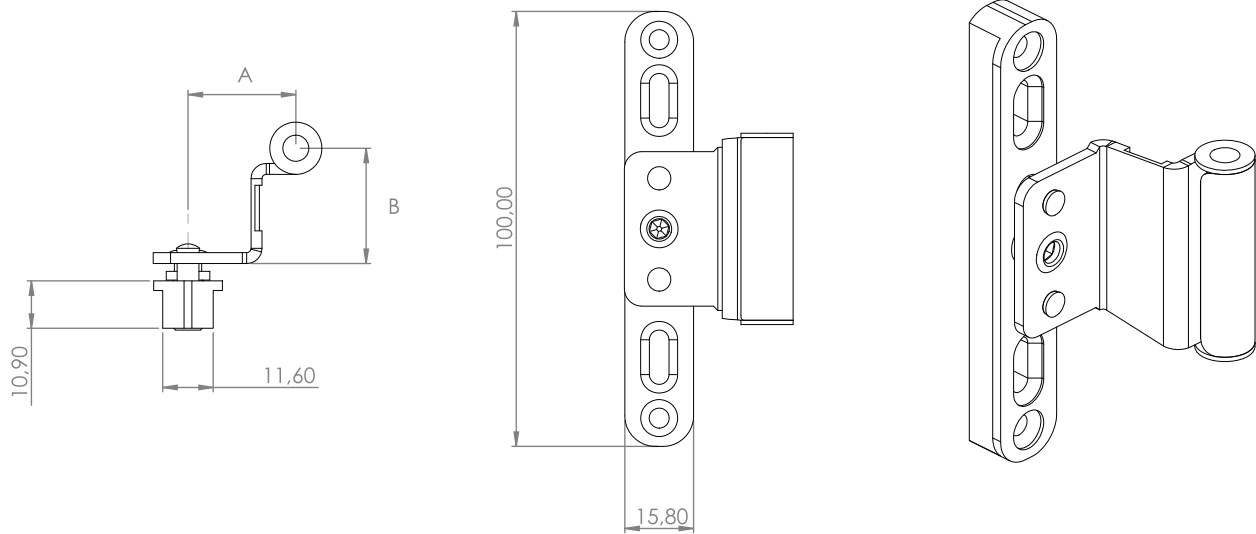
- 3D Adj. Middle Hinge Body





|  | Qty.  | Kg |
|---|--|--------|
| 01.TTS600.01.00 | 100 | 11,080 |

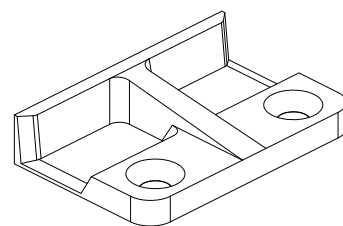
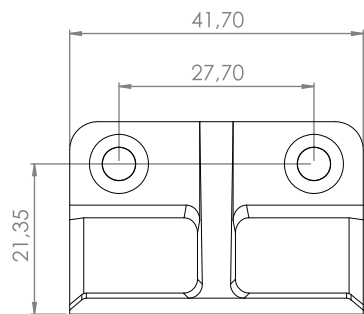
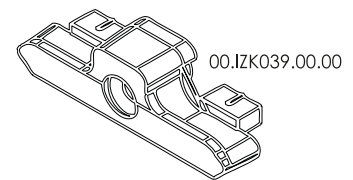
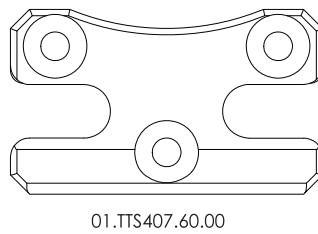
Double Sash Systems ●



2D Adjustable Middle Hinge ●



|  | Axis | Qty.  | Kg |
|---|------|---|----|
| 01.TTS600.09.00 | 9 | 100 | - |
| 01.TTS600.13.00 | 13 | 100 | - |

Locking Plates ●

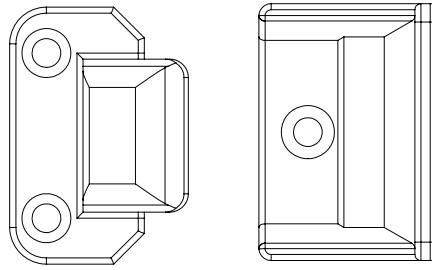




|  | Axis | Qty.  | Kg |
|---|------|--|-------|
| 01.TTS407.60.00 | 13 | 100 | 3,89 |
| 01.TTS800.08.00 | - | 500 | 10,30 |
| 00.IZK039.00.00 | 13 | 500 | 8,30 |

Tilt And Turn Systems

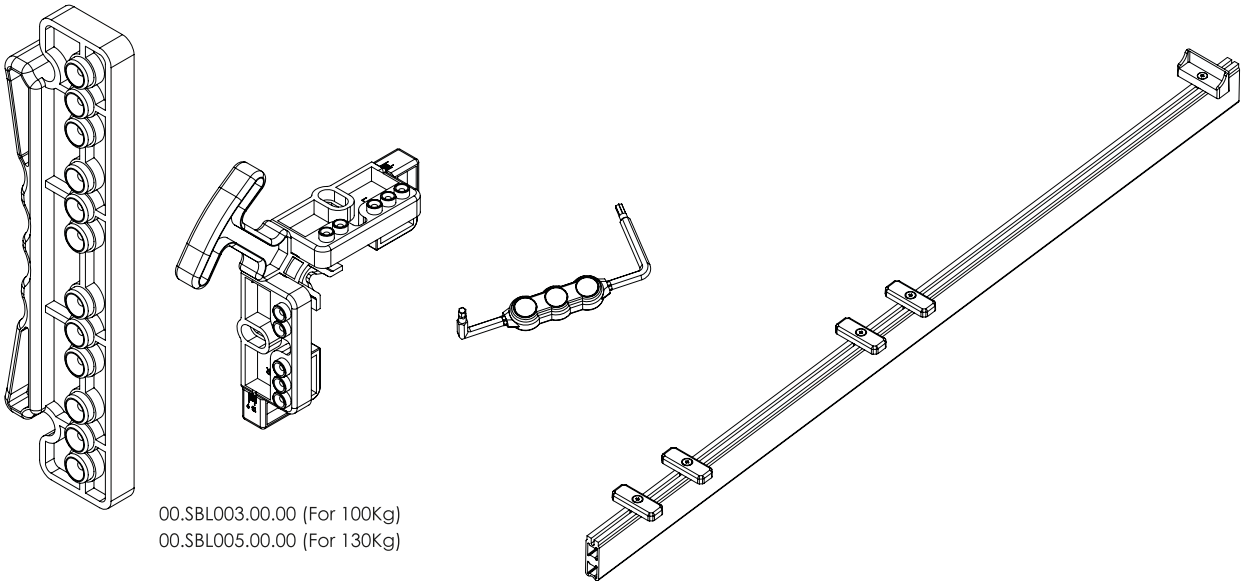
- Double Sash Systems

- Gasket Pressure Hinge





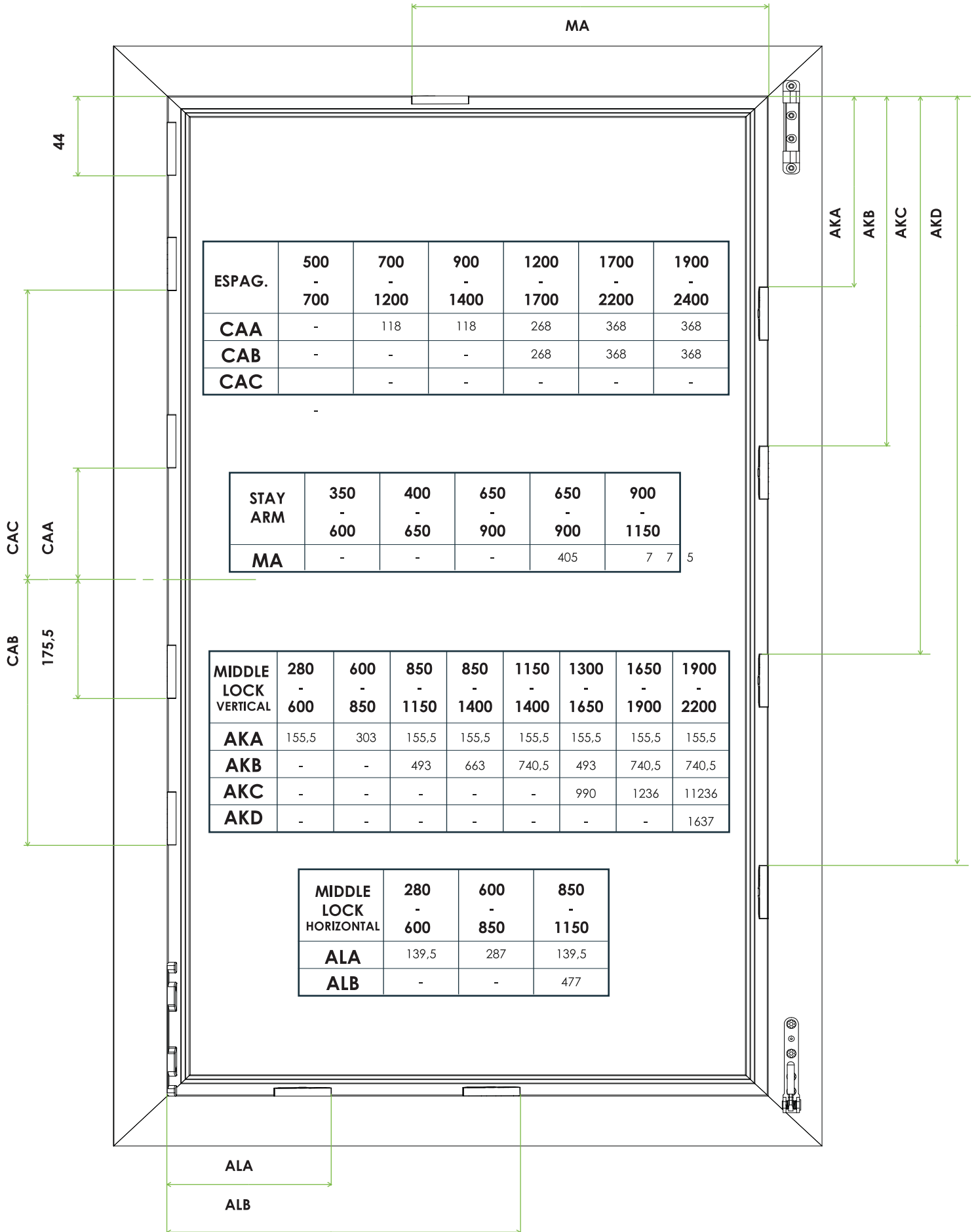
|  | Axis | Qty.  | Kg |
|--|------|---|-------|
| 01.TTS600.04.00 | 9 | 100 | 1,715 |
| 01.TTS600.05.00 | 13 | 100 | 1,730 |

- Assembly Instruments



00.SBL003.00.00 (For 100Kg)
00.SBL005.00.00 (For 130Kg)

|  | Axis | Qty.  | Kg |
|---|------|--|-------|
| 00.SBL003.00.00 | 9 | 100 | 1,715 |
| 00.SBL005.00.00 | 13 | 100 | 1,730 |





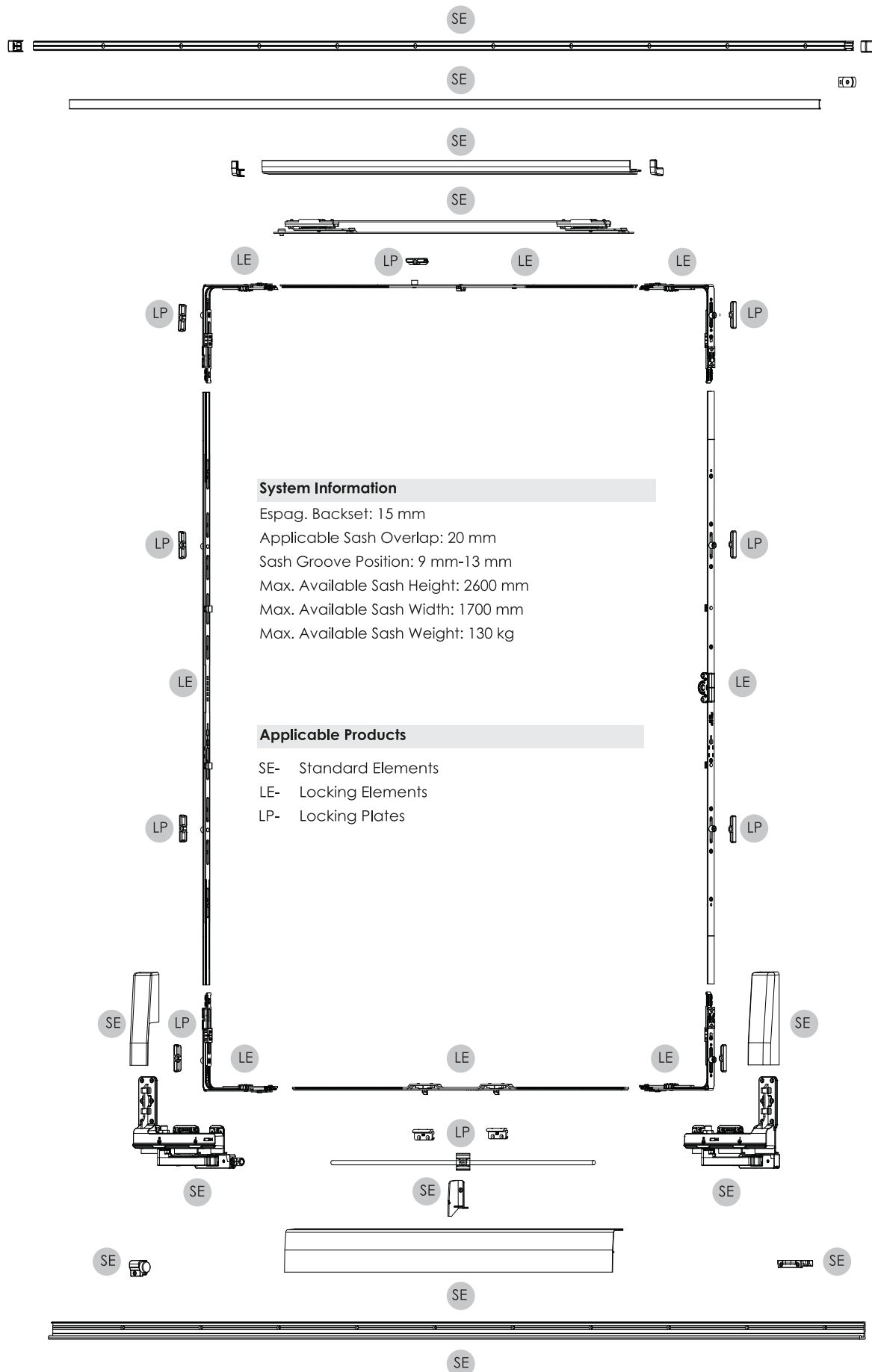


A014

TILT AND SLIDE SYSTEM HANDLE

Tilt And Slide Systems

15 mm Backset Basic Security Level Semi Automatic System



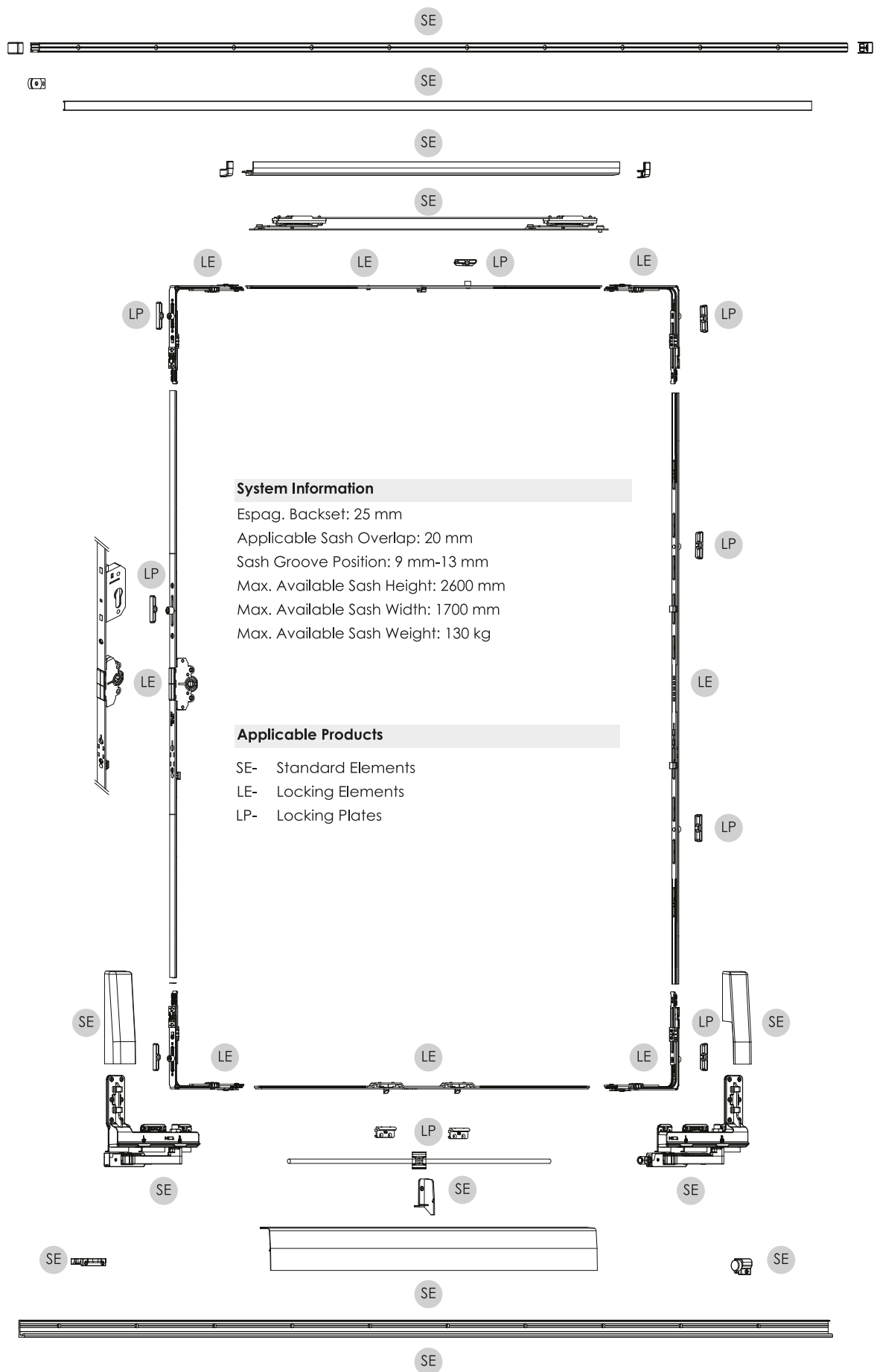
System Information

Espag. Backset: 15 mm
 Applicable Sash Overlap: 20 mm
 Sash Groove Position: 9 mm-13 mm
 Max. Available Sash Height: 2600 mm
 Max. Available Sash Width: 1700 mm
 Max. Available Sash Weight: 130 kg

Applicable Products

SE- Standard Elements
 LE- Locking Elements
 LP- Locking Plates

25 mm Backset Basic Security Level Semi Automatic System



System Information

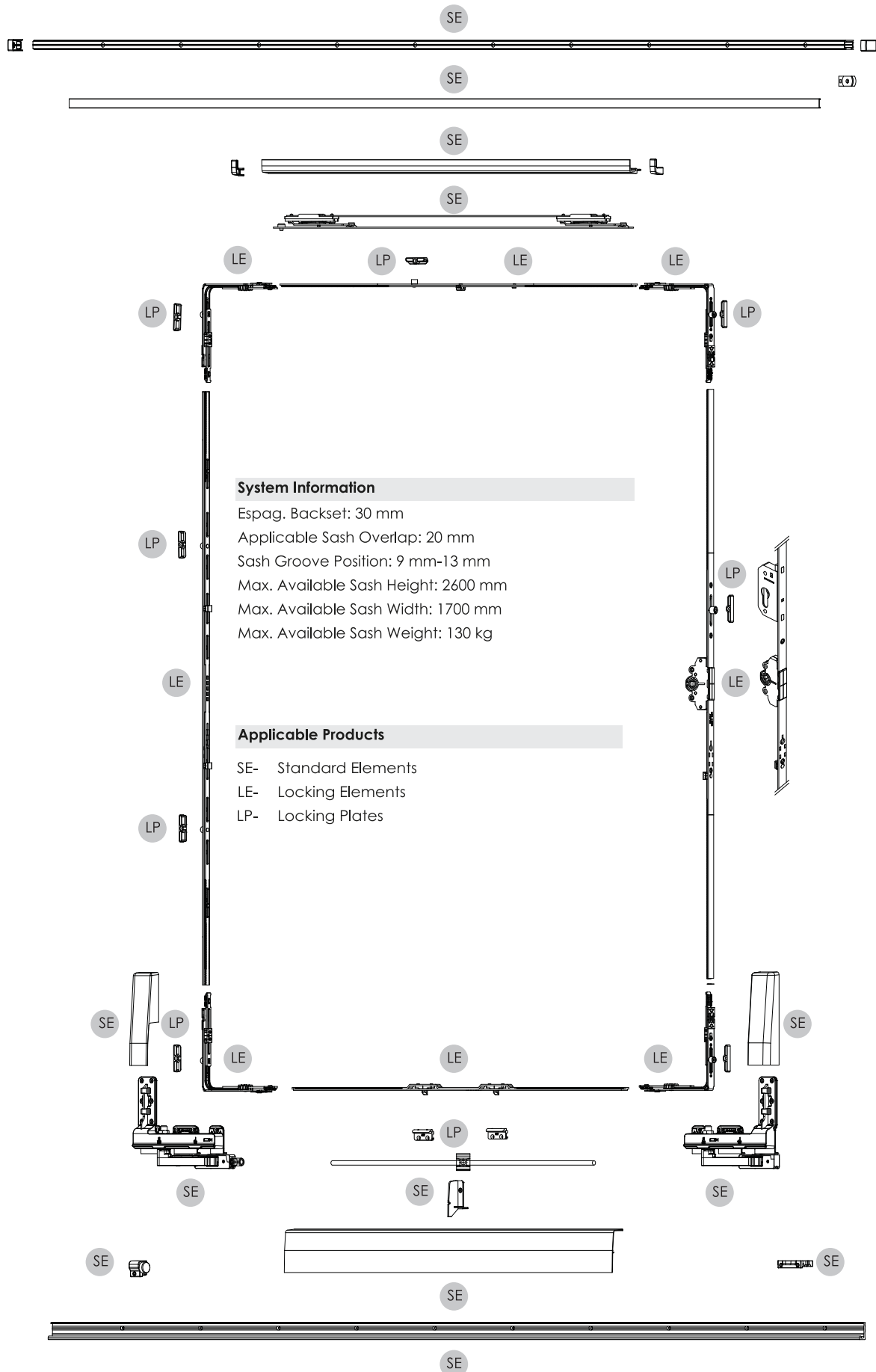
- Espag. Backset: 25 mm
- Applicable Sash Overlap: 20 mm
- Sash Groove Position: 9 mm-13 mm
- Max. Available Sash Height: 2600 mm
- Max. Available Sash Width: 1700 mm
- Max. Available Sash Weight: 130 kg

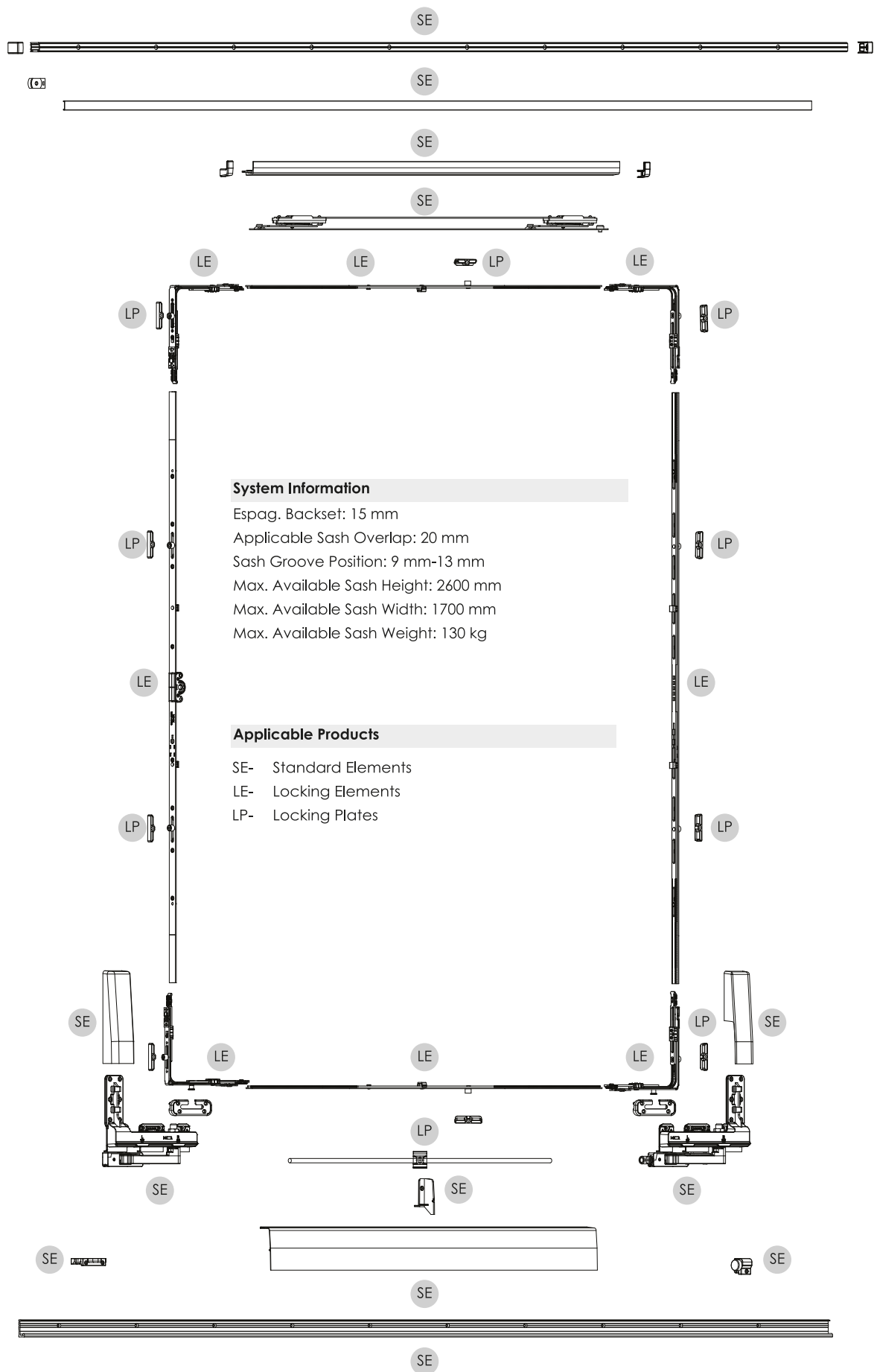
Applicable Products

- SE- Standard Elements
- LE- Locking Elements
- LP- Locking Plates

Tilt And Slide Systems

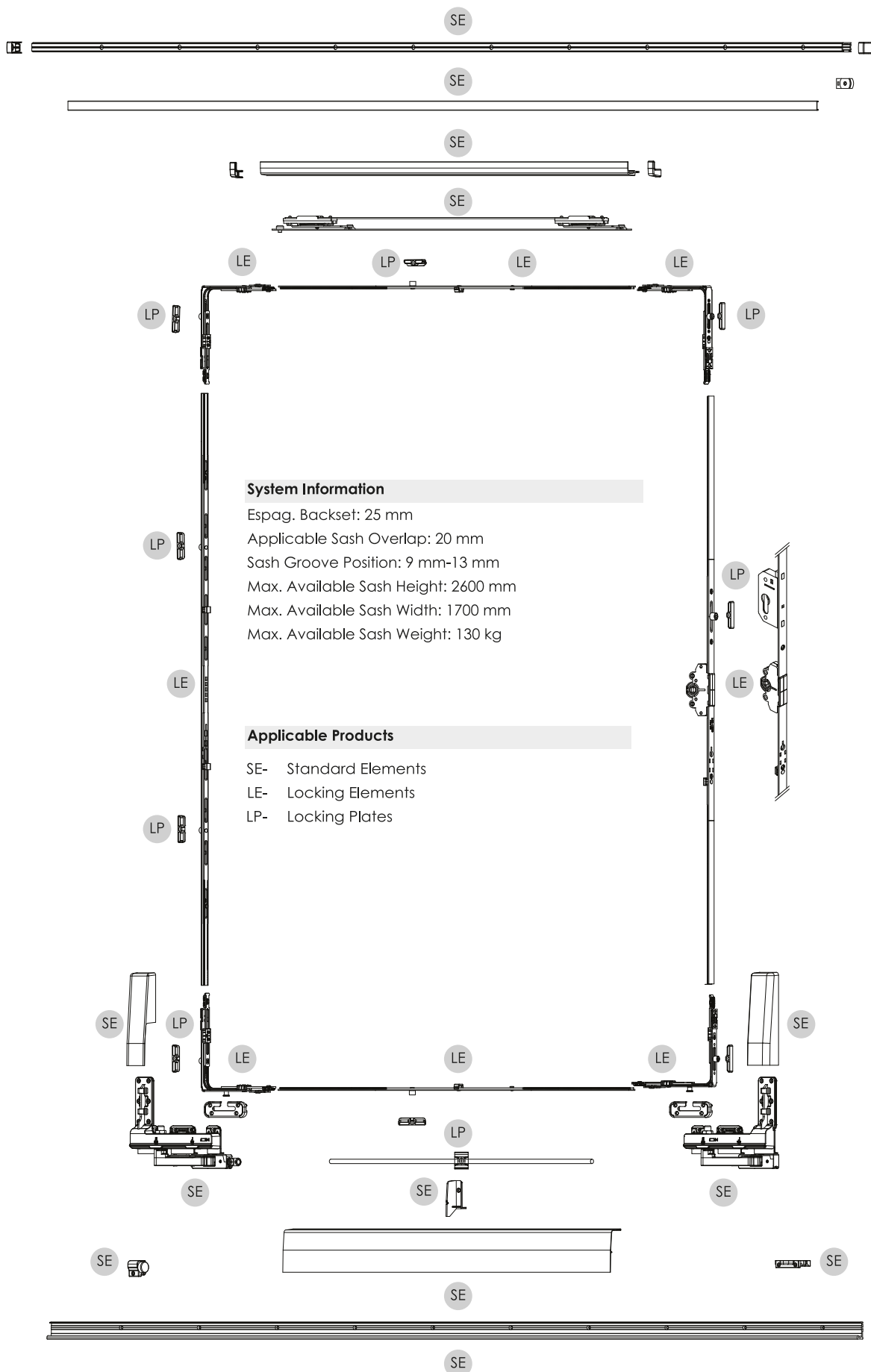
- 30 mm Backset Basic Security Level Semi Automatic System

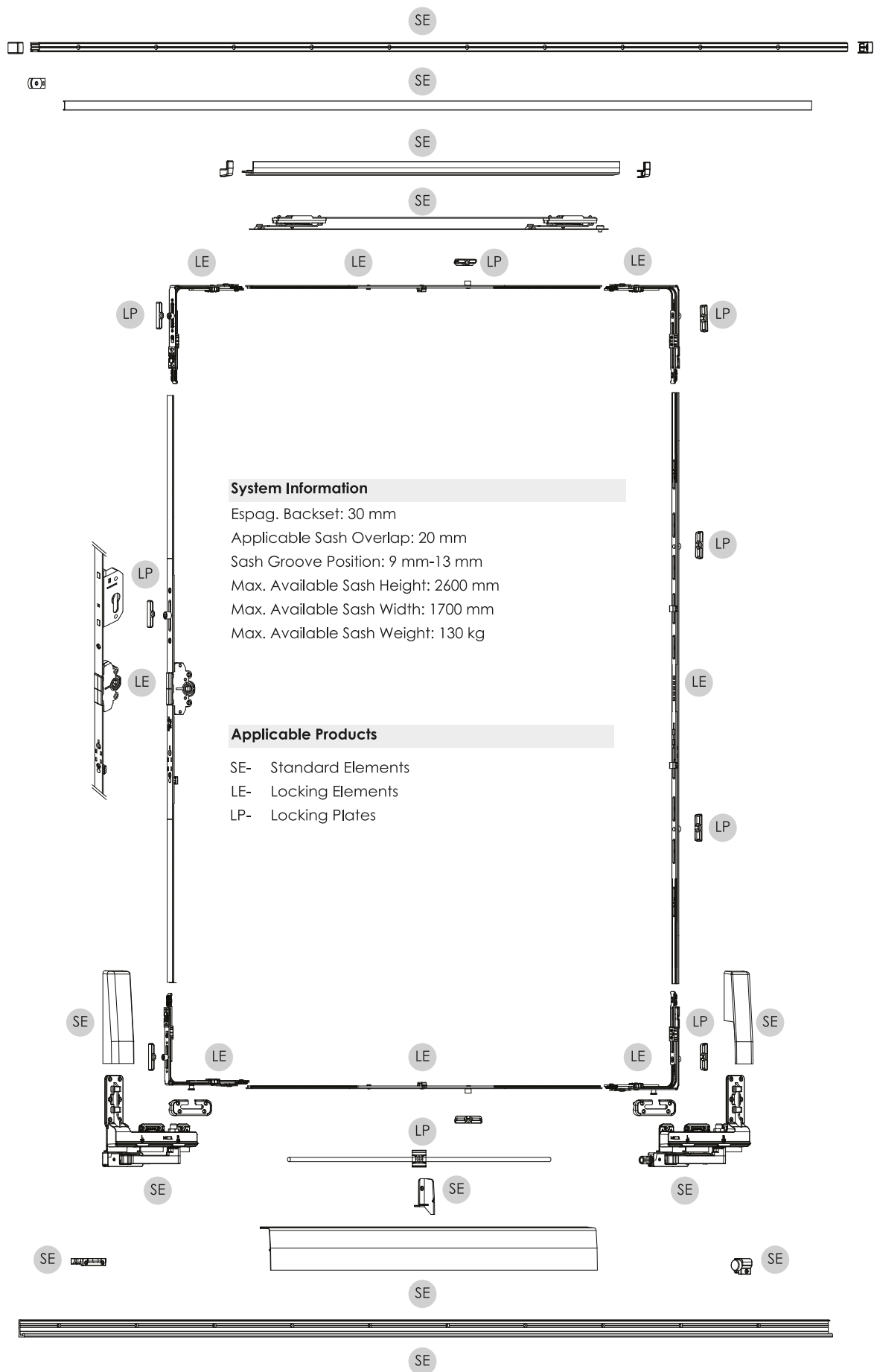




Tilt And Slide Systems

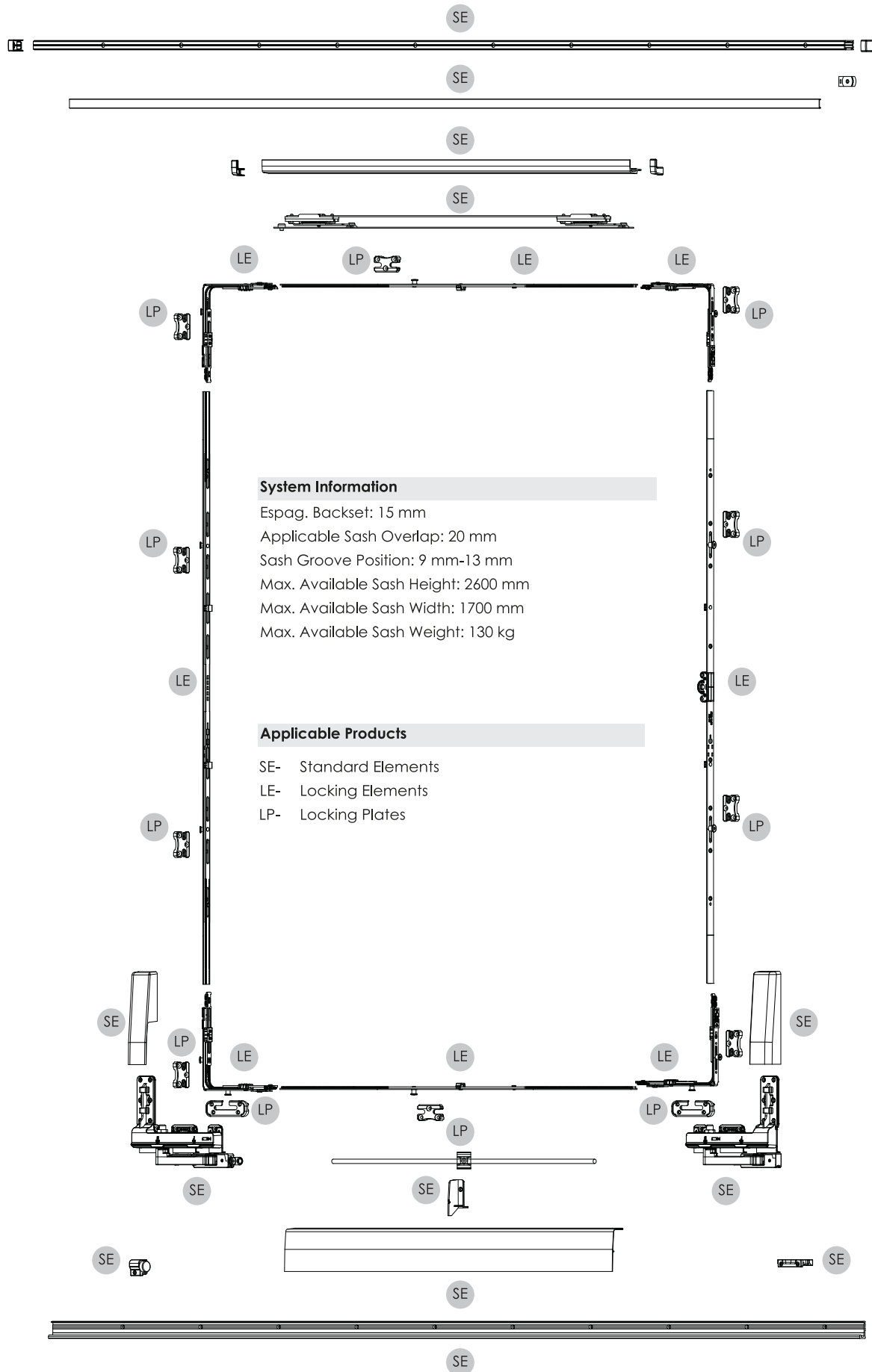
● 25 mm Backset Basic Security Level Manual System

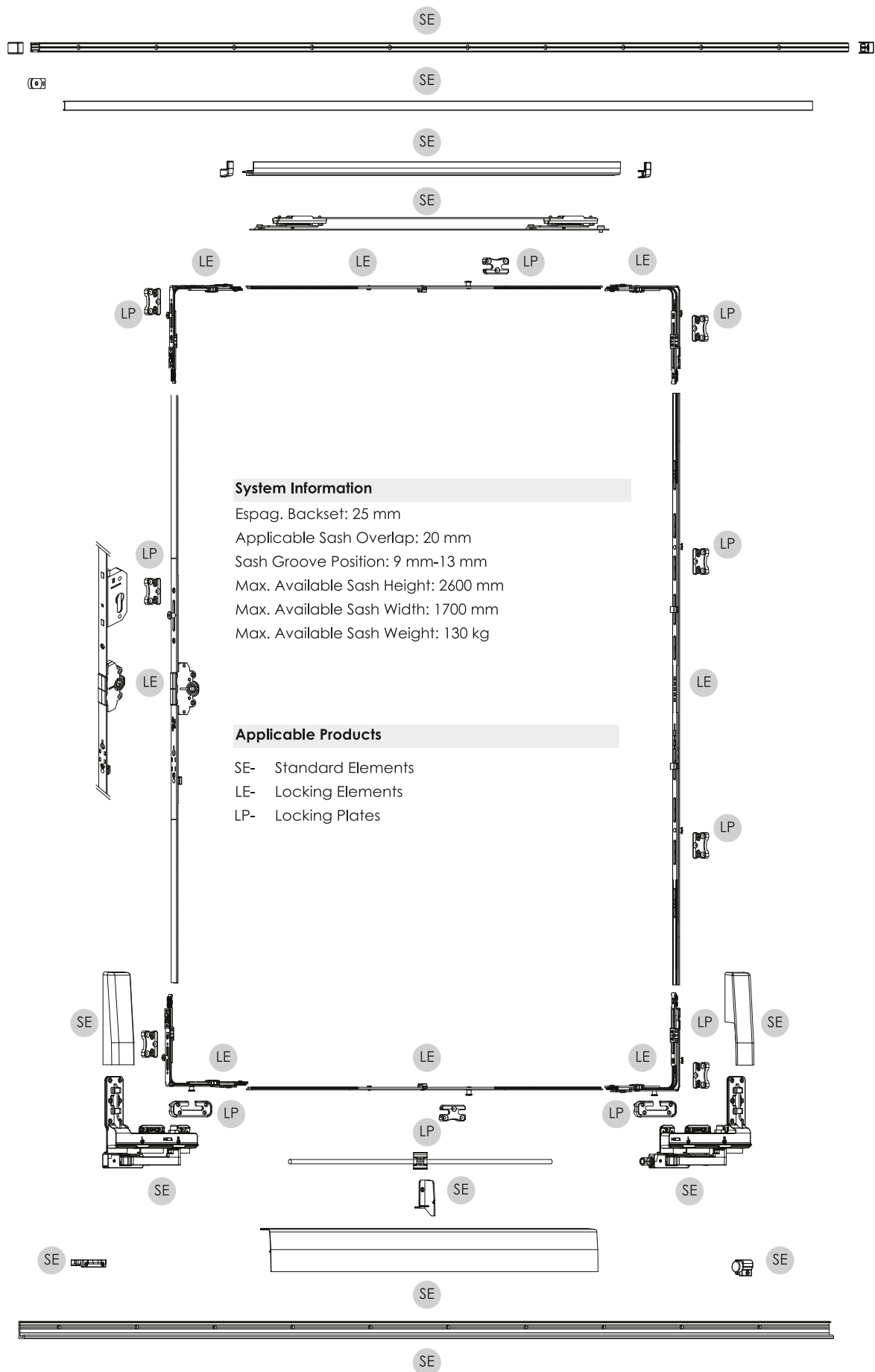




Tilt And Slide Systems

15 mm Backset High Security Level Manual System





System Information

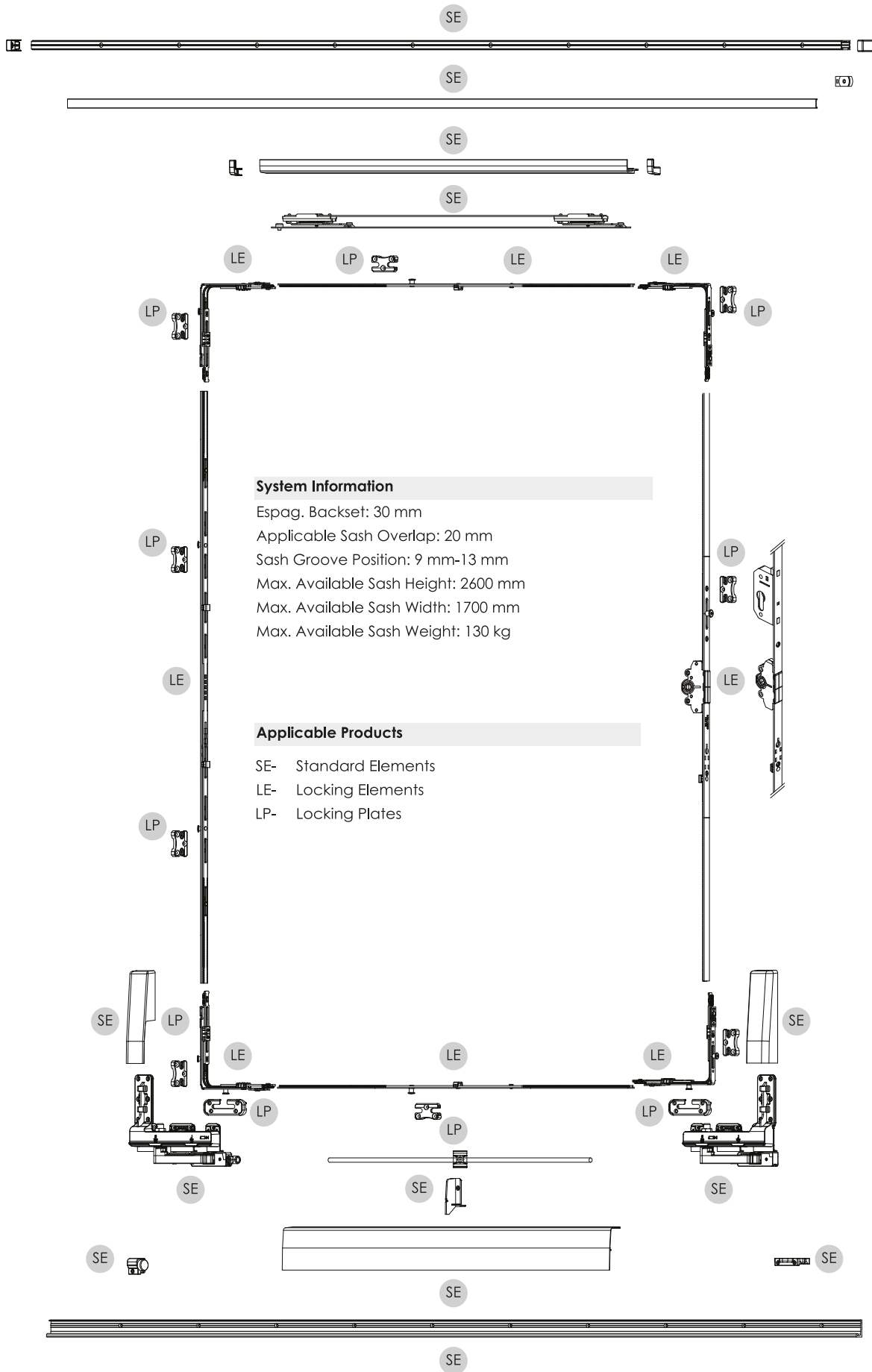
Espag. Backset: 25 mm
 Applicable Sash Overlap: 20 mm
 Sash Groove Position: 9 mm-13 mm
 Max. Available Sash Height: 2600 mm
 Max. Available Sash Width: 1700 mm
 Max. Available Sash Weight: 130 kg

Applicable Products

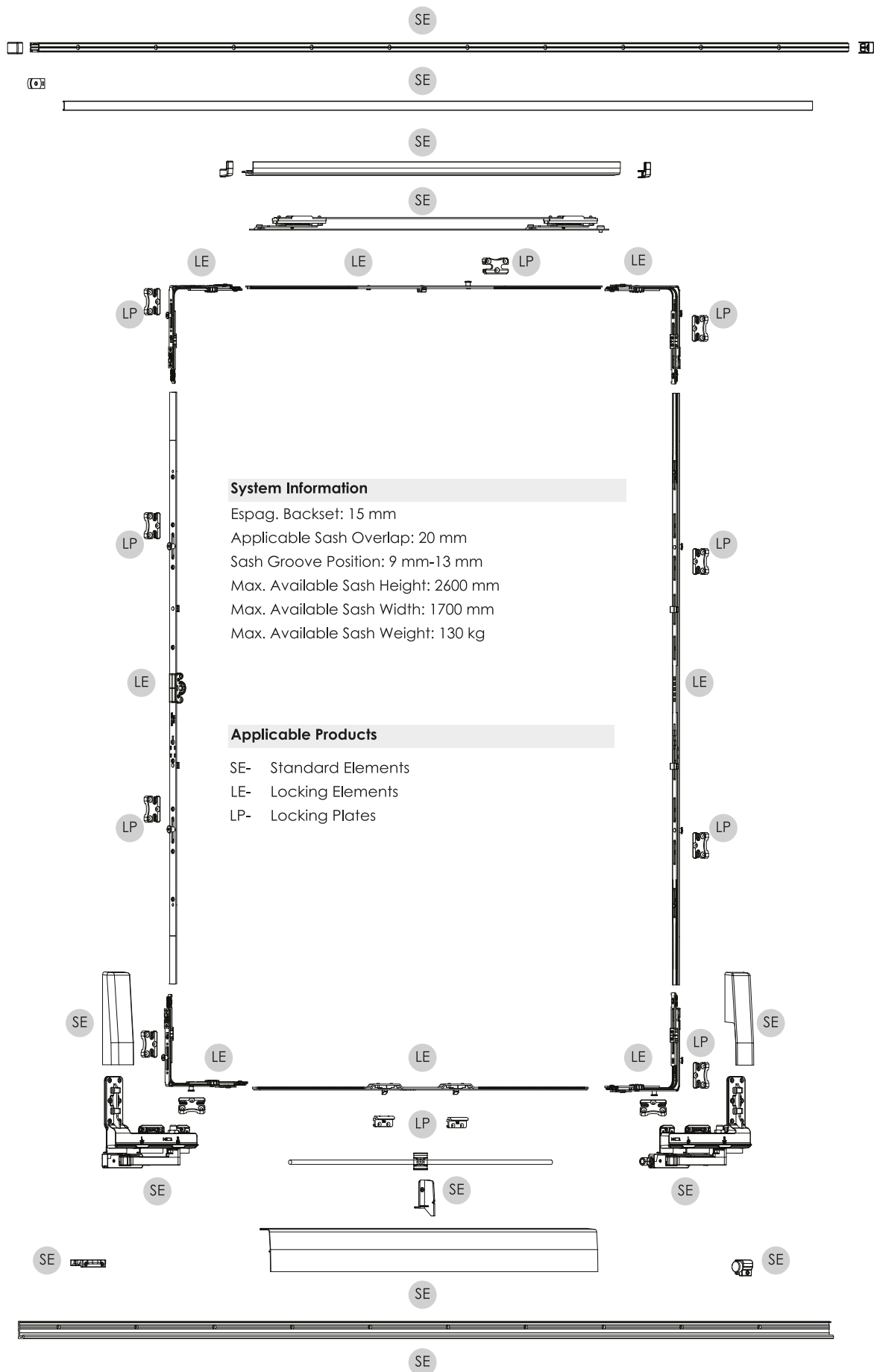
- SE- Standard Elements
- LE- Locking Elements
- LP- Locking Plates

Tilt And Slide Systems

- 30 mm Backset High Security Level Manual System

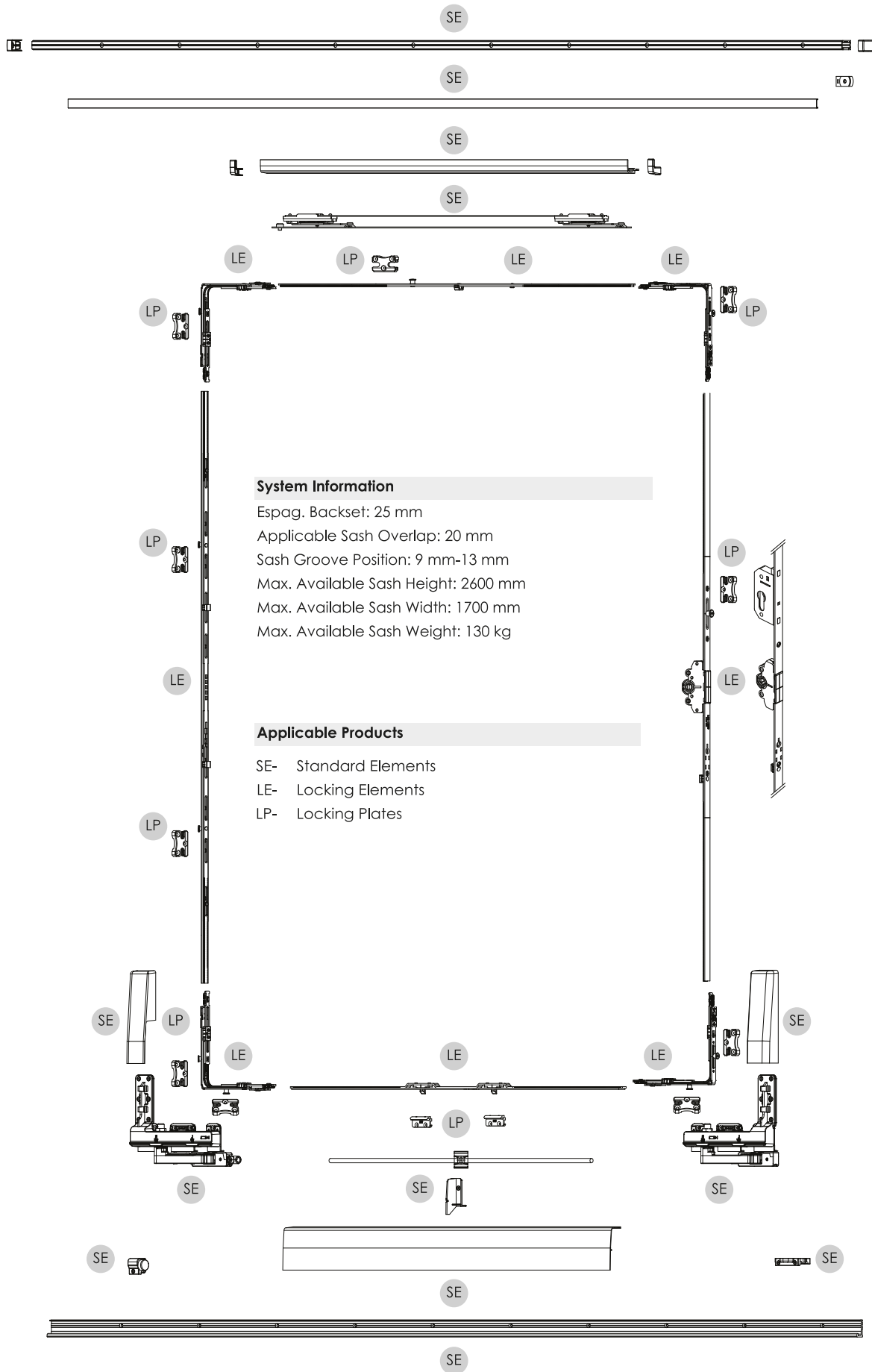


15 mm Backset High Security Level Semi Automatic System

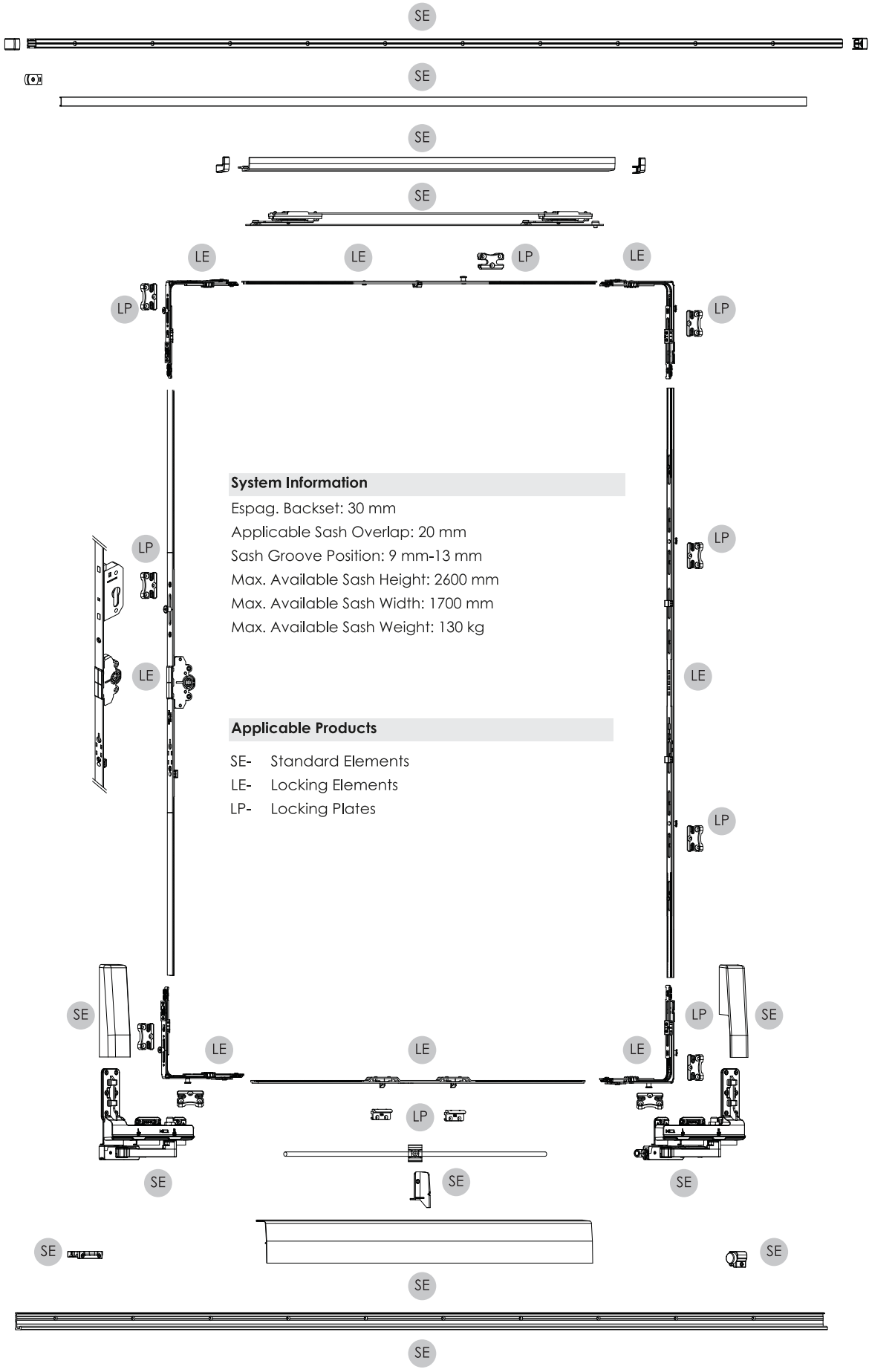


Tilt And Slide Systems

- 25 mm Backset High Security Level Semi Automatic System

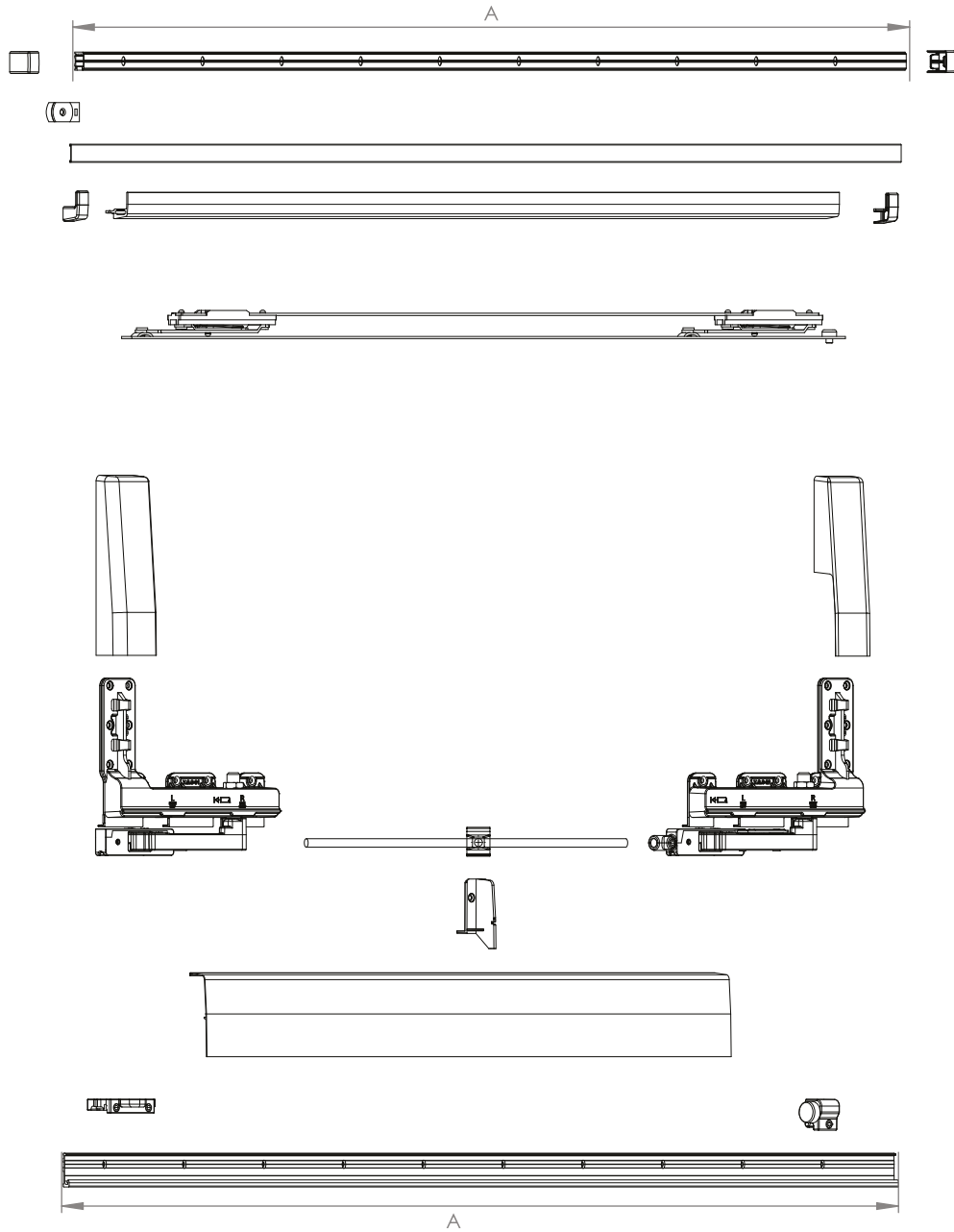




30 mm Backset High Security Level Semi Automatic System





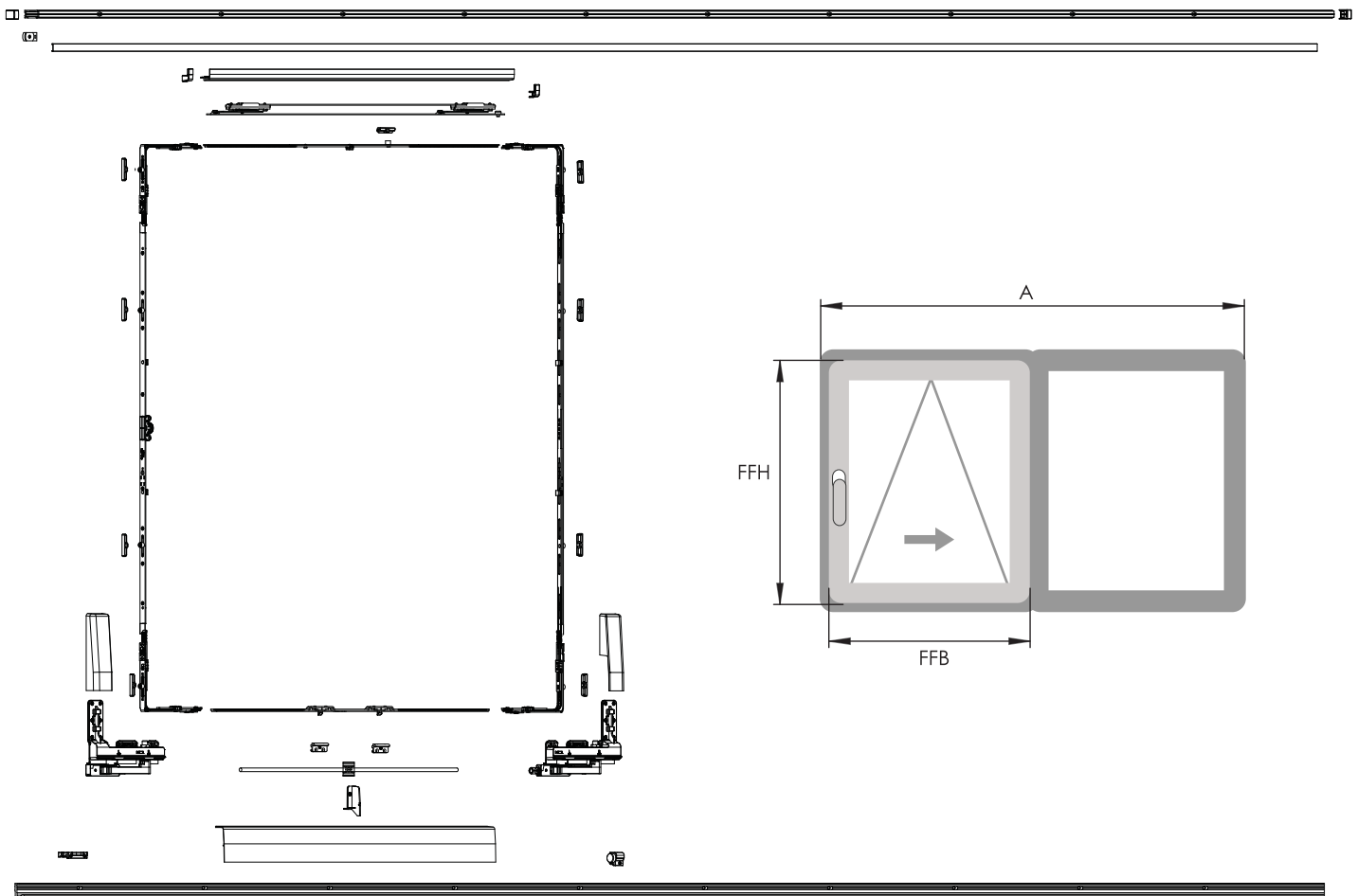
Tilt And Slide Systems



- Classic Tilt And Slide System

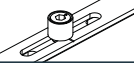



| A |  | Qty.  | Kg |
|------|---|--|----|
| 1930 | 01.TSR193.10.01 | 1 | - |
| 2630 | 01.TSR263.10.01 | 1 | - |
| 3430 | 01.TSR343.10.01 | 1 | - |

| R/L |  | Qty.  | Kg |
|-------|---|--|----|
| Left | 01.TSS024.01.00 | 1 | - |
| Right | 01.TSS024.02.00 | 1 | - |

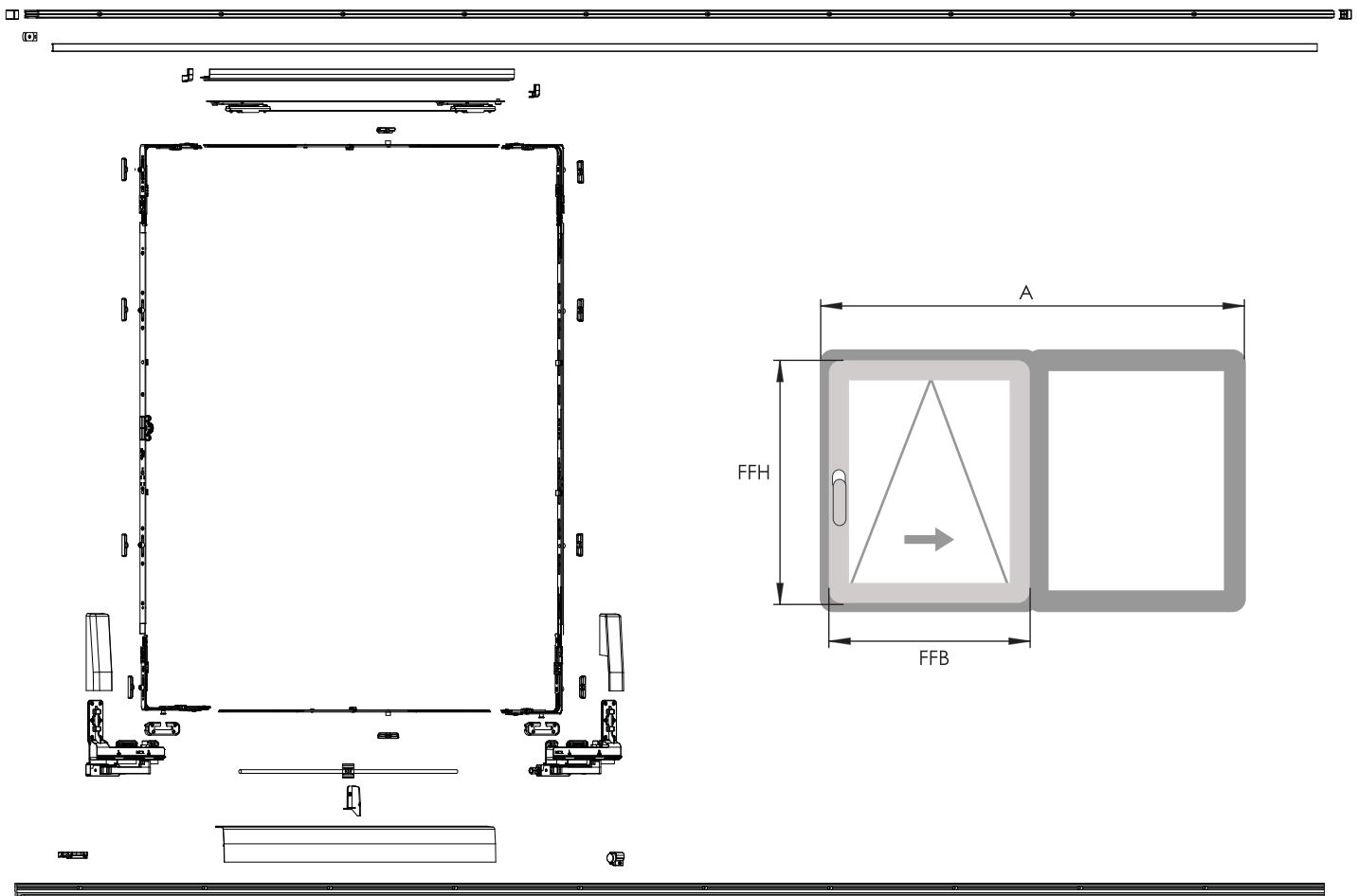


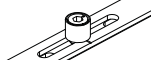

| R/L |  | Qty.  | Kg |
|-------|---|--|-----|
| Left | 01.TSY100.OL.01 | 1 | 2,8 |
| Right | 01.TSY100.OR.01 | 1 | 2,8 |



| A | FFB | FFH |  | Qty.  | Kg |
|------|-------------|-------------|---|--|----|
| 1930 | 600 - 900 | 700 - 1200 | 01.TSY193.OA.01 | 1 | - |
| | | 900 - 1400 | 01.TSY193.OB.01 | 1 | - |
| | | 1200 - 1700 | 01.TSY193.OC.01 | 1 | - |
| | | 1700 - 2200 | 01.TSY193.OD.01 | 1 | - |
| | | 1900 - 2400 | 01.TSY193.OE.01 | 1 | - |
| 2630 | 900 - 1200 | 700 - 1200 | 01.TSY263.OA.01 | 1 | - |
| | | 900 - 1400 | 01.TSY263.OB.01 | 1 | - |
| | | 1200 - 1700 | 01.TSY263.OC.01 | 1 | - |
| | | 1700 - 2200 | 01.TSY263.OD.01 | 1 | - |
| | | 1900 - 2400 | 01.TSY263.OE.01 | 1 | - |
| 3430 | 1200 - 1500 | 700 - 1200 | 01.TSY343.OF.01 | 1 | - |
| | | 900 - 1400 | 01.TSY343.OG.01 | 1 | - |
| | | 1200 - 1700 | 01.TSY343.OH.01 | 1 | - |
| | | 1700 - 2200 | 01.TSY343.OK.01 | 1 | - |
| | | 1900 - 2400 | 01.TSY343.OL.01 | 1 | - |
| | 1500 - 1700 | 700 - 1200 | 01.TSY343.OA.01 | 1 | - |
| | | 900 - 1400 | 01.TSY343.OB.01 | 1 | - |
| | | 1200 - 1700 | 01.TSY343.OC.01 | 1 | - |
| | | 1700 - 2200 | 01.TSY343.OD.01 | 1 | - |
| | | 1900 - 2400 | 01.TSY343.OE.01 | 1 | - |

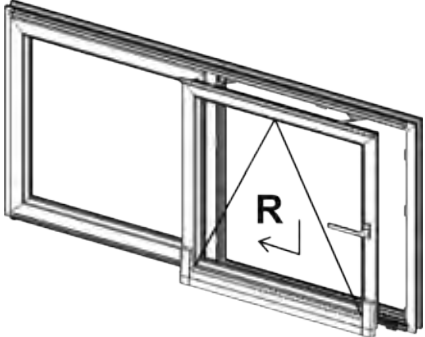
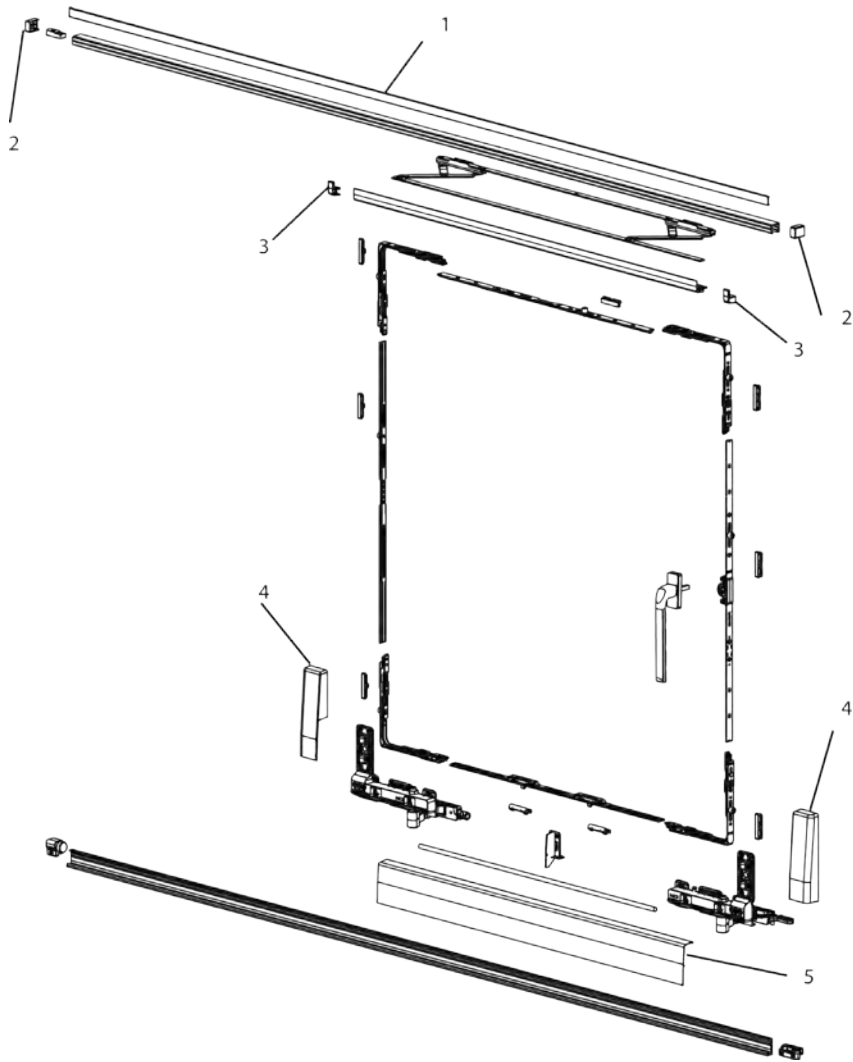
Tilt And Slide Systems

● 15 mm Backset Manual Tilt And Slide Systems

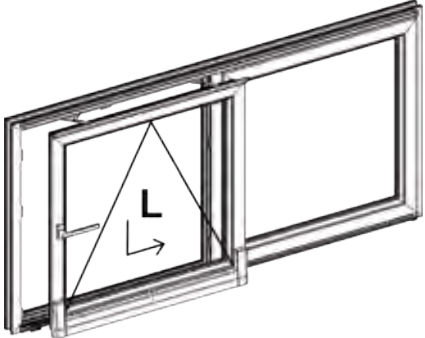


| A | FFB | FFH |  | Qty.  | Kg |
|------|-------------|-------------|---|--|----|
| 1930 | 600 - 900 | 700 - 1200 | 01.TSM193.0A.01 | 1 | - |
| | | 900 - 1400 | 01.TSM193.0B.01 | 1 | - |
| | | 1200 - 1700 | 01.TSM193.0C.01 | 1 | - |
| | | 1700 - 2200 | 01.TSM193.0D.01 | 1 | - |
| | | 1900 - 2400 | 01.TSM193.0E.01 | 1 | - |
| 2630 | 900 - 1200 | 700 - 1200 | 01.TSM263.0A.01 | 1 | - |
| | | 900 - 1400 | 01.TSM263.0B.01 | 1 | - |
| | | 1200 - 1700 | 01.TSM263.0C.01 | 1 | - |
| | | 1700 - 2200 | 01.TSM263.0D.01 | 1 | - |
| | | 1900 - 2400 | 01.TSM263.0E.01 | 1 | - |
| 3430 | 1200 - 1500 | 700 - 1200 | 01.TSM343.0F.01 | 1 | - |
| | | 900 - 1400 | 01.TSM343.0G.01 | 1 | - |
| | | 1200 - 1700 | 01.TSM343.0H.01 | 1 | - |
| | | 1700 - 2200 | 01.TSM343.0K.01 | 1 | - |
| | | 1900 - 2400 | 01.TSM343.0L.01 | 1 | - |
| | 1500 - 1700 | 700 - 1200 | 01.TSM343.0A.01 | 1 | - |
| | | 900 - 1400 | 01.TSM343.0B.01 | 1 | - |
| | | 1200 - 1700 | 01.TSM343.0C.01 | 1 | - |
| | | 1700 - 2200 | 01.TSM343.0D.01 | 1 | - |
| | | 1900 - 2400 | 01.TSM343.0E.01 | 1 | - |

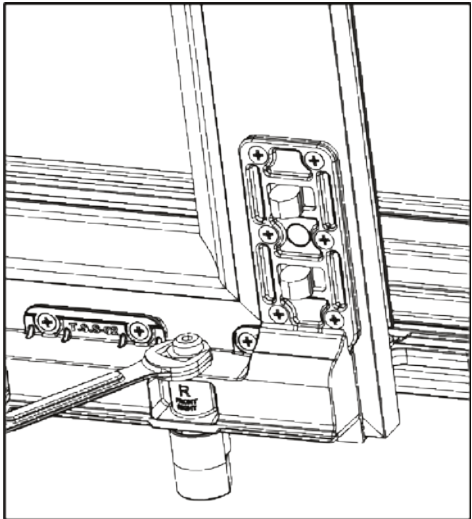
| R/L |  | Qty.  | Kg |
|-------|---|--|-----|
| Left | 01.TSM100.0L.01 | 1 | 2,8 |
| Right | 01.TSM100.0R.01 | 1 | 2,8 |



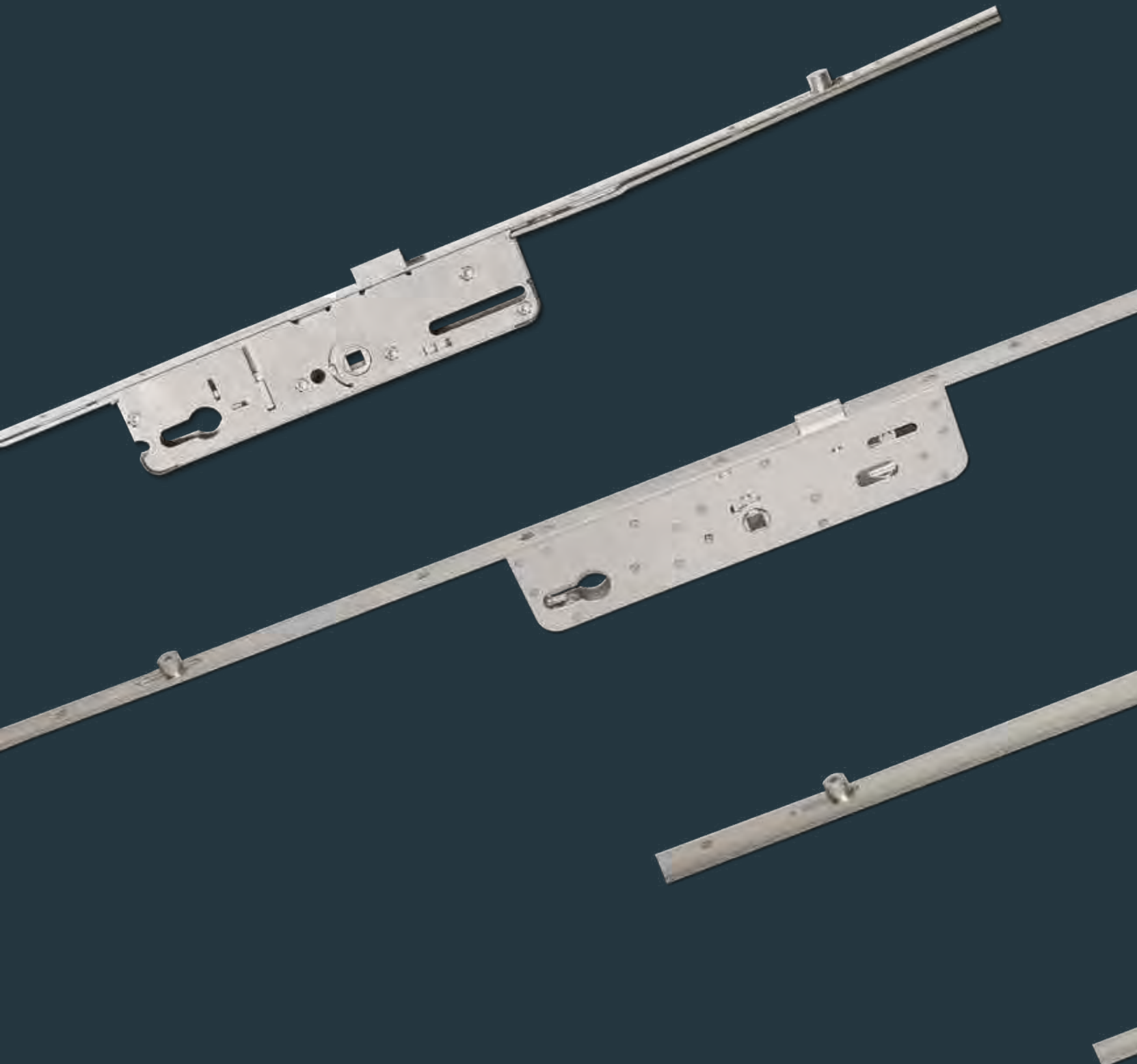
RIGHT DOOR

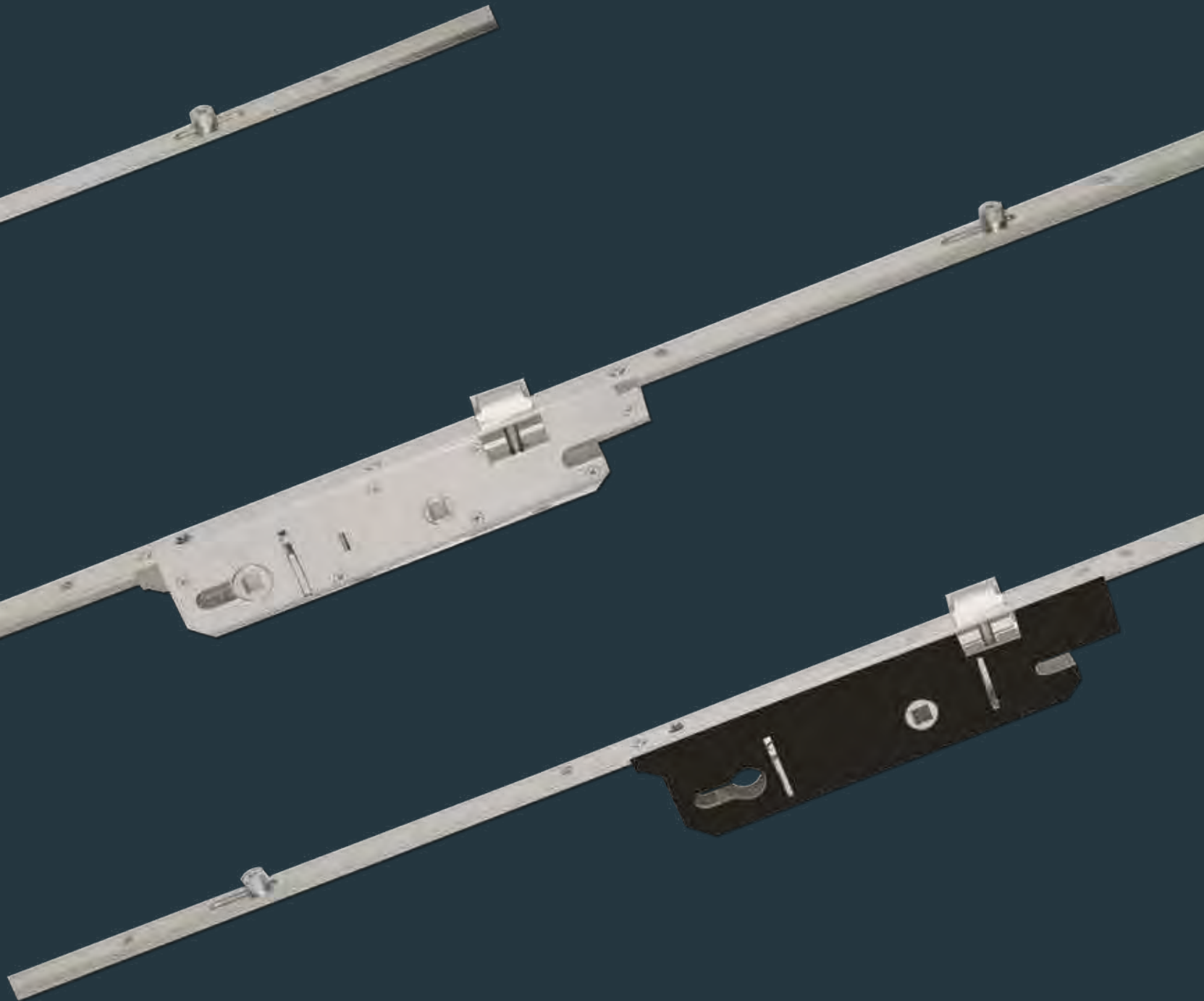


LEFT DOOR



Sash height adjustent can be done by unfastening the nut onto the roller by 19 key and by fastening or unfastening the hex screw by SW4 Hex Key.

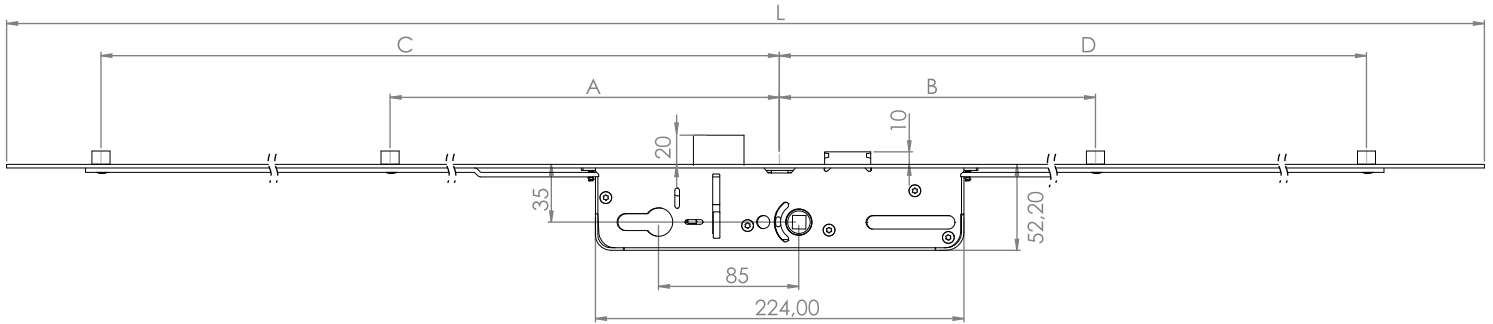




Multipoint Locks

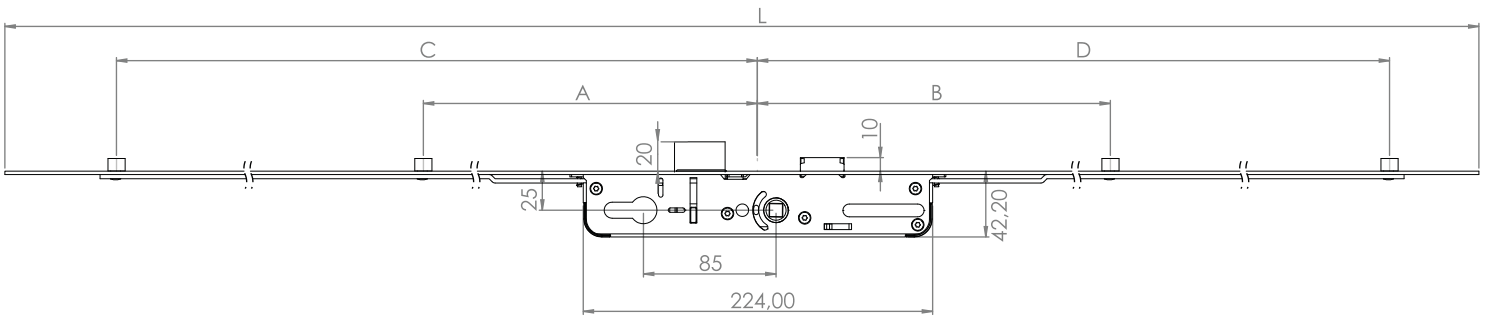
● Handle Operated

● PZ: 85 mm Backset: 35 mm (Deluxe Series - Metal Lock Case)



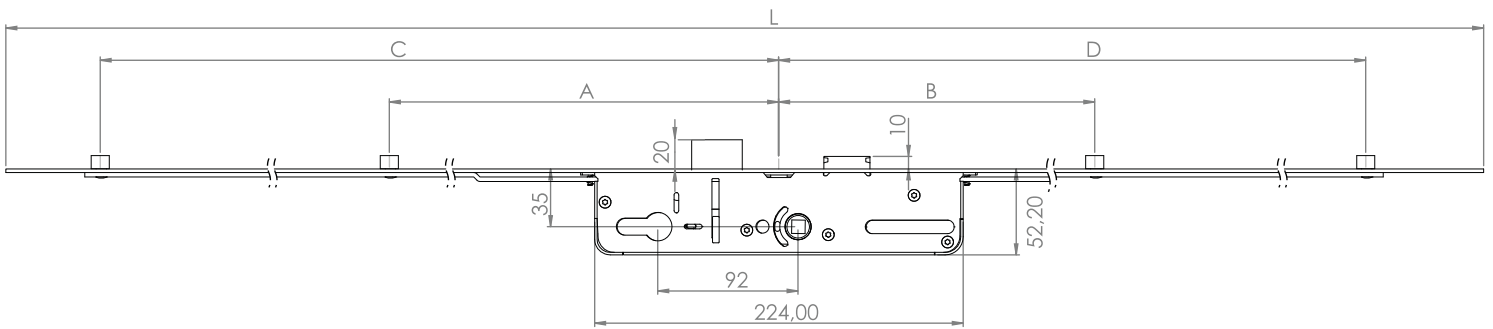
| | | | L | A | B | C | D | | | Qty. | | Kg |
|-----------------|-----------------|---|------|-----|-----|-----|-----|----|---|------|--|-------|
| 01.KKI063.00.00 | 01.KKI063.01.00 | X | 1600 | 278 | 288 | 725 | 725 | 8 | 4 | 20 | | 22,95 |
| 01.KKI064.00.00 | 01.KKI064.01.00 | X | 1800 | 284 | 293 | 825 | 825 | 10 | 4 | 20 | | 25,40 |
| 01.KKI065.00.00 | 01.KKI065.01.00 | X | 2000 | 379 | 395 | 925 | 925 | 10 | 4 | 20 | | 27,15 |
| 01.KKI066.00.00 | 01.KKI066.01.00 | ✓ | 1600 | 278 | 288 | 725 | 725 | 8 | 4 | 20 | | 23,55 |
| 01.KKI067.00.00 | 01.KKI067.01.00 | ✓ | 1800 | 284 | 293 | 825 | 825 | 10 | 4 | 20 | | 26,15 |
| 01.KKI068.00.00 | 01.KKI068.01.00 | ✓ | 2000 | 379 | 395 | 925 | 925 | 10 | 4 | 20 | | 27,40 |

● PZ: 85 mm Backset: 25 mm (Deluxe Series - Metal Lock Case)



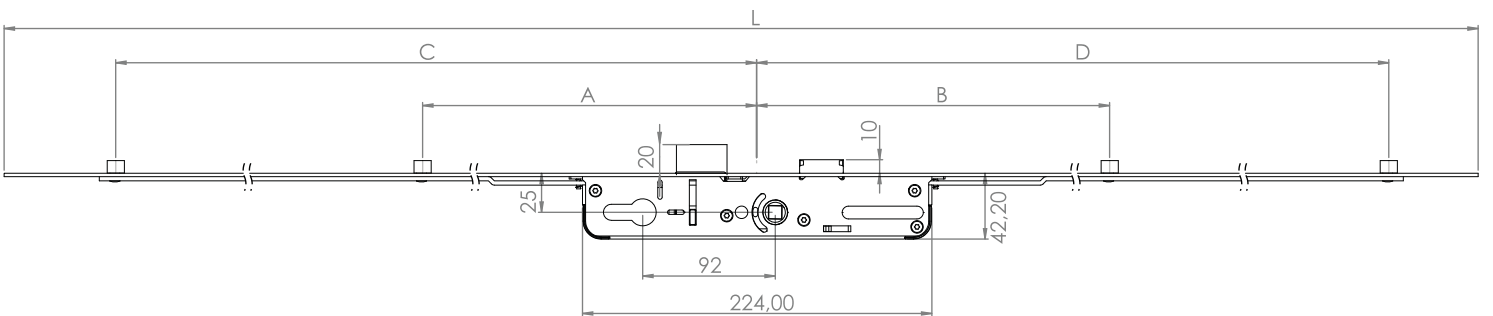
| | | | L | A | B | C | D | | | Qty. | | Kg |
|-----------------|-----------------|---|------|-----|-----|-----|-----|----|---|------|--|-------|
| 01.KKI069.00.00 | 01.KKI069.01.00 | X | 1600 | 278 | 288 | 725 | 725 | 8 | 4 | 20 | | 20,75 |
| 01.KKI070.00.00 | 01.KKI070.01.00 | X | 1800 | 284 | 293 | 825 | 825 | 10 | 4 | 20 | | 22,60 |
| 01.KKI071.00.00 | 01.KKI071.01.00 | X | 2000 | 379 | 395 | 925 | 925 | 10 | 4 | 20 | | 24,65 |
| 01.KKI072.00.00 | 01.KKI072.01.00 | ✓ | 1600 | 278 | 288 | 725 | 725 | 8 | 4 | 20 | | 23,55 |
| 01.KKI073.00.00 | 01.KKI073.01.00 | ✓ | 1800 | 284 | 293 | 825 | 825 | 10 | 4 | 20 | | 26,15 |
| 01.KKI074.00.00 | 01.KKI074.01.00 | ✓ | 2000 | 379 | 395 | 925 | 925 | 10 | 4 | 20 | | 27,40 |

PZ: 92 mm Backset: 35 mm (Deluxe Series - Metal Lock Case)



| | | | L | A | B | C | D | | | Qty. | | Kg |
|-----------------|-----------------|---|------|-----|-----|-----|-----|----|---|------|--|----|
| 01.KKI075.00.00 | 01.KKI075.01.00 | X | 1600 | 278 | 288 | 725 | 725 | 8 | 4 | 20 | | |
| 01.KKI076.00.00 | 01.KKI076.01.00 | X | 1800 | 284 | 293 | 825 | 825 | 10 | 4 | 20 | | |
| 01.KKI077.00.00 | 01.KKI077.01.00 | X | 2000 | 379 | 395 | 925 | 925 | 10 | 4 | 20 | | |
| 01.KKI078.00.00 | 01.KKI078.01.00 | ✓ | 1600 | 278 | 288 | 725 | 725 | 8 | 4 | 20 | | |
| 01.KKI079.00.00 | 01.KKI079.01.00 | ✓ | 1800 | 284 | 293 | 825 | 825 | 10 | 4 | 20 | | |
| 01.KKI080.00.00 | 01.KKI080.01.00 | ✓ | 2000 | 379 | 395 | 925 | 925 | 10 | 4 | 20 | | |

PZ: 92 mm Backset: 25 mm / 35 mm (Deluxe Series - Metal Lock Case)

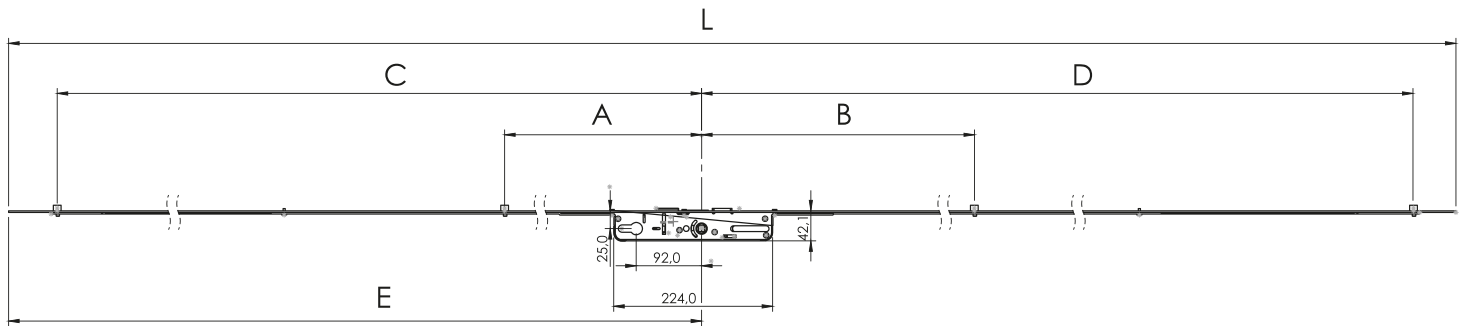


| | | | L | A | B | C | D | | | Qty. | | Kg |
|-----------------|-----------------|---|------|-----|-----|-----|-----|----|---|------|--|----|
| 01.KKI081.00.00 | 01.KKI081.01.00 | X | 1600 | 278 | 288 | 725 | 725 | 8 | 4 | 20 | | - |
| 01.KKI082.00.00 | 01.KKI082.01.00 | X | 1800 | 284 | 293 | 825 | 825 | 10 | 4 | 20 | | - |
| 01.KKI083.00.00 | 01.KKI083.01.00 | X | 2000 | 379 | 395 | 925 | 925 | 10 | 4 | 20 | | - |
| 01.KKI084.00.00 | 01.KKI084.01.00 | ✓ | 1600 | 278 | 288 | 725 | 725 | 8 | 4 | 20 | | - |
| 01.KKI085.00.00 | 01.KKI085.01.00 | ✓ | 1800 | 284 | 293 | 825 | 825 | 10 | 4 | 20 | | - |
| 01.KKI086.00.00 | 01.KKI086.01.00 | ✓ | 2000 | 379 | 395 | 925 | 925 | 10 | 4 | 20 | | - |

Multipoint Locks

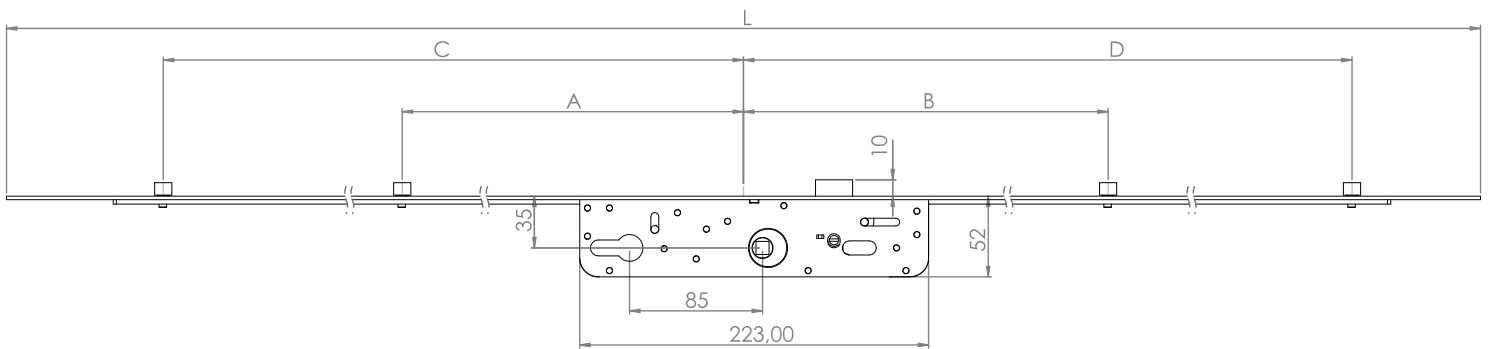
- Handle Operated

- PZ: 92 mm Backset: 25/35 mm (Deluxe Series - Metal Lock Case)



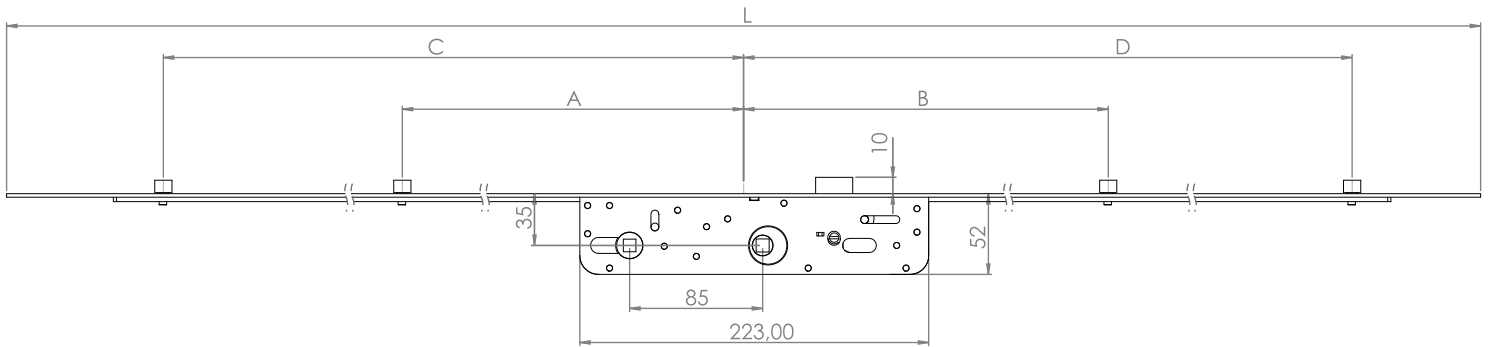
| | | L | A | B | C | D | E | | | Qty. | Kg |
|-----------------|---|------|-----|-----|-----|------|------|---|---|------|-------|
| 01.KKI088.00.00 | ✓ | 2170 | 284 | 438 | 952 | 1089 | 1020 | 8 | 4 | 20 | 25,12 |

- PZ: 85 mm Backset: 35 mm (Akpen Series - Metal Lock Case)



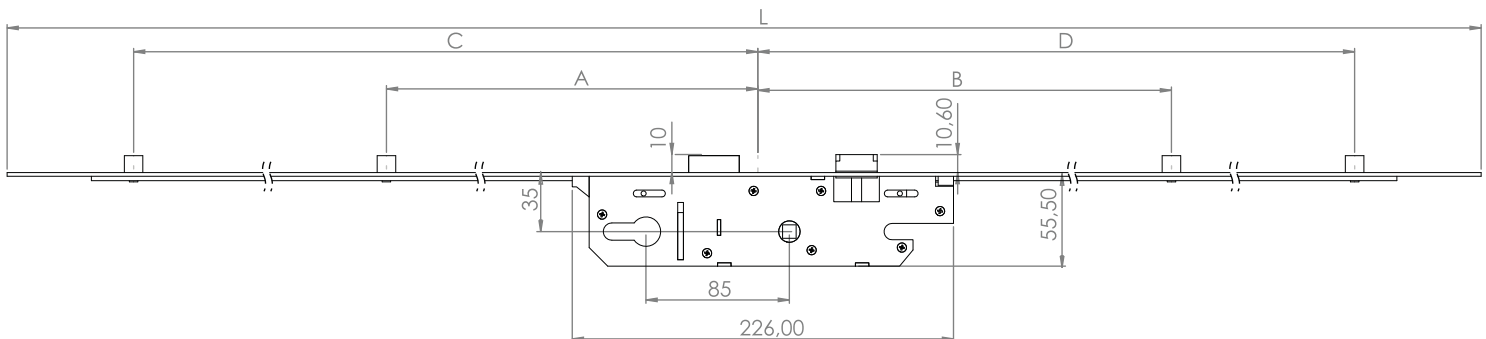
| | | | L | A | B | C | D | | | Qty. | Kg |
|-----------------|-----------------|---|------|-----|-----|-----|-----|----|---|------|-------|
| 01.KKI001.00.00 | 01.KKI001.01.00 | X | 1600 | 278 | 288 | 725 | 725 | 8 | 4 | 20 | 23,70 |
| 01.KKI005.00.00 | 01.KKI005.01.00 | X | 1800 | 284 | 293 | 825 | 825 | 10 | 4 | 20 | 24,90 |
| 01.KKI003.00.00 | 01.KKI003.01.00 | X | 2000 | 379 | 395 | 925 | 925 | 10 | 4 | 20 | 27,00 |

PZ: 85 mm Backset: 35 mm - Balcony (Akpen Series - Metal Lock Case)



| | | | L | A | B | C | D | | | Qty. | | Kg |
|-----------------|-----------------|---|------|-----|-----|-----|-----|----|---|------|--|-------|
| 01.KKI002.00.00 | 01.KKI002.01.00 | X | 1600 | 278 | 288 | 725 | 725 | 8 | 4 | 20 | | 23,70 |
| 01.KKI006.00.00 | 01.KKI006.01.00 | X | 1800 | 284 | 293 | 825 | 825 | 10 | 4 | 20 | | 26,00 |
| 01.KKI004.00.00 | 01.KKI004.01.00 | X | 2000 | 379 | 395 | 925 | 925 | 10 | 4 | 20 | | 28,72 |

PZ: 85 mm Backset: 35 mm (Plastic Lock Case)

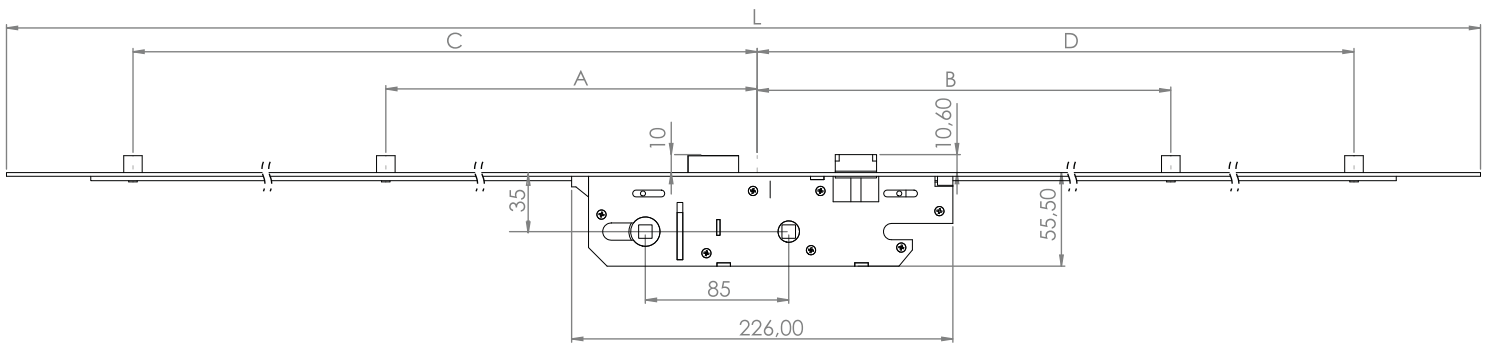


| | | | L | A | B | C | D | | | Qty. | | Kg |
|-----------------|-----------------|---|------|-----|-----|-----|-----|----|---|------|--|-------|
| 01.KKI013.00.00 | 01.KKI013.01.00 | X | 1600 | 278 | 288 | 725 | 725 | 8 | 4 | 20 | | 18,59 |
| 01.KKI014.00.00 | 01.KKI014.01.00 | X | 1800 | 284 | 293 | 825 | 825 | 10 | 4 | 20 | | 19,95 |
| 01.KKI015.00.00 | 01.KKI015.01.00 | X | 2000 | 379 | 395 | 925 | 925 | 10 | 4 | 20 | | 21,80 |
| 01.KKI007.00.00 | 01.KKI007.01.00 | ✓ | 1600 | 278 | 288 | 725 | 725 | 8 | 4 | 20 | | 21,30 |
| 01.KKI008.00.00 | 01.KKI008.01.00 | ✓ | 1800 | 284 | 293 | 825 | 825 | 10 | 4 | 20 | | 21,27 |
| 01.KKI009.00.00 | 01.KKI009.01.00 | ✓ | 2000 | 379 | 395 | 925 | 925 | 10 | 4 | 20 | | 23,70 |

Multipoint Locks

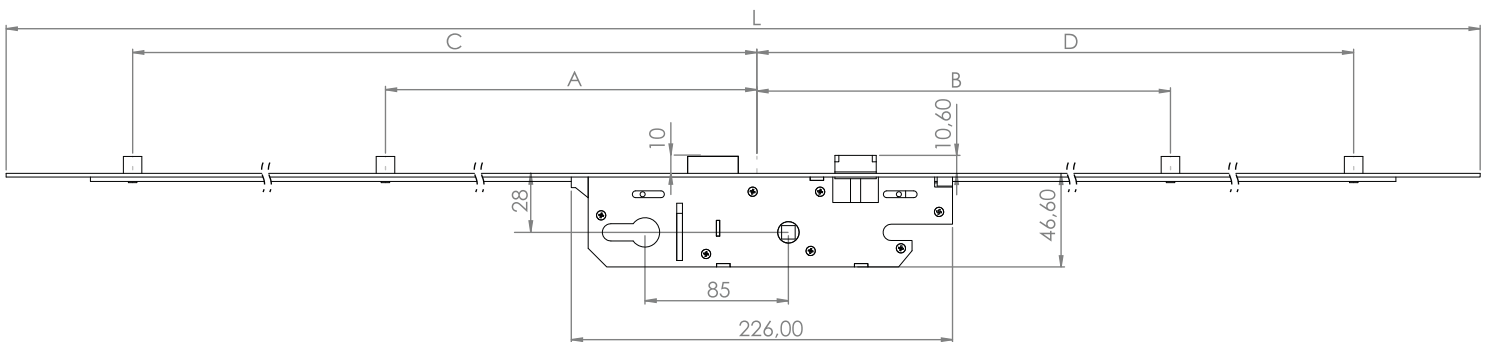
● Handle Operated

● PZ: 85 mm Backset: 35 mm - Balcony (Plastic Lock Case)



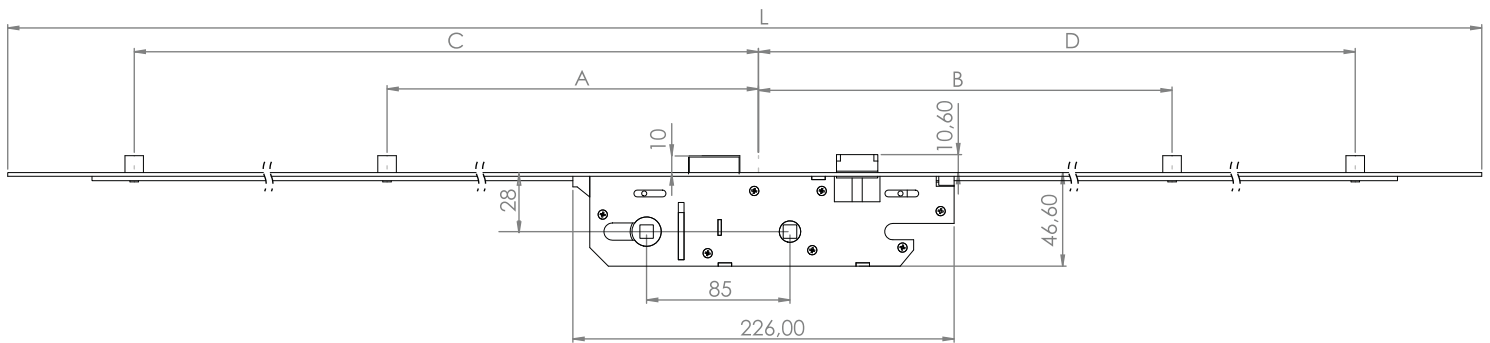
| | | | L | A | B | C | D | | | Qty. | Kg |
|-----------------|-----------------|---|------|-----|-----|-----|-----|----|---|------|-------|
| 01.KKI022.00.00 | 01.KKI022.01.00 | X | 1600 | 278 | 288 | 725 | 725 | 8 | 4 | 20 | 19,25 |
| 01.KKI023.00.00 | 01.KKI023.01.00 | X | 1800 | 284 | 293 | 825 | 825 | 10 | 4 | 20 | 21,60 |
| 01.KKI024.00.00 | 01.KKI024.01.00 | X | 2000 | 379 | 395 | 925 | 925 | 10 | 4 | 20 | 23,40 |
| 01.KKI010.00.00 | 01.KKI010.01.00 | ✓ | 1600 | 278 | 288 | 725 | 725 | 8 | 4 | 20 | 21,74 |
| 01.KKI011.00.00 | 01.KKI011.01.00 | ✓ | 1800 | 284 | 293 | 825 | 825 | 10 | 4 | 20 | 21,80 |
| 01.KKI012.00.00 | 01.KKI012.01.00 | ✓ | 2000 | 379 | 395 | 925 | 925 | 10 | 4 | 20 | 23,10 |

● PZ: 85 mm Backset: 28 mm (Plastic Lock Case)



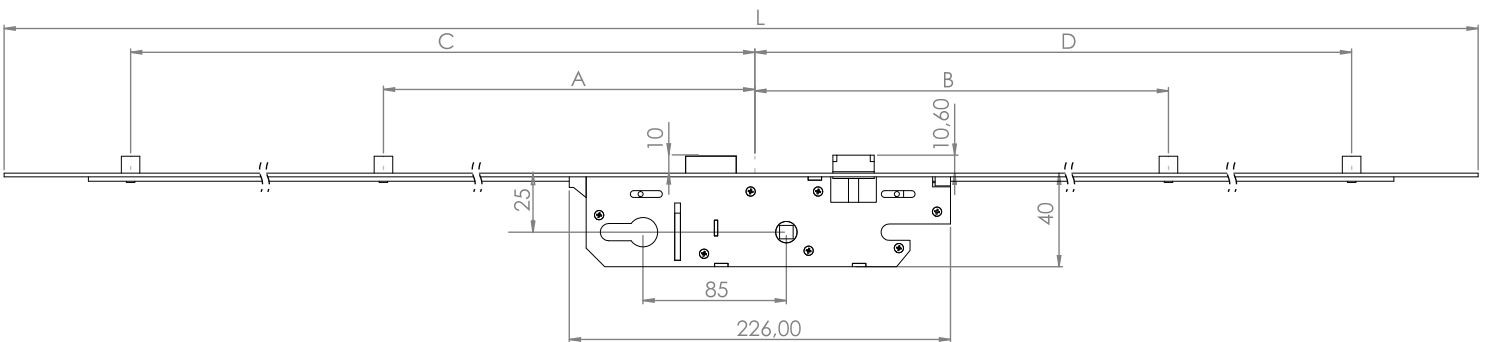
| | | | L | A | B | C | D | | | Qty. | Kg |
|-----------------|-----------------|---|------|-----|-----|-----|-----|----|---|------|-------|
| 01.KKI016.00.00 | 01.KKI016.01.00 | X | 1600 | 278 | 288 | 725 | 725 | 8 | 4 | 20 | 16,85 |
| 01.KKI017.00.00 | 01.KKI017.01.00 | X | 1800 | 284 | 293 | 825 | 825 | 10 | 4 | 20 | 20,05 |
| 01.KKI018.00.00 | 01.KKI018.01.00 | X | 2000 | 379 | 395 | 925 | 925 | 10 | 4 | 20 | 21,35 |
| 01.KKI025.00.00 | 01.KKI025.01.00 | ✓ | 1600 | 278 | 288 | 725 | 725 | 8 | 4 | 20 | 20,06 |
| 01.KKI026.00.00 | 01.KKI026.01.00 | ✓ | 1800 | 284 | 293 | 825 | 825 | 10 | 4 | 20 | 21,74 |
| 01.KKI027.00.00 | 01.KKI027.01.00 | ✓ | 2000 | 379 | 395 | 925 | 925 | 10 | 4 | 20 | 23,76 |

PZ: 85 mm Backset: 28 mm - Balcony (Plastic Lock Case)



| | | | L | A | B | C | D | | | Qty. | | Kg |
|-----------------|-----------------|---|------|-----|-----|-----|-----|----|---|------|--|-------|
| 01.KKI019.00.00 | 01.KKI019.01.00 | X | 1600 | 278 | 288 | 725 | 725 | 8 | 4 | 20 | | 18,50 |
| 01.KKI020.00.00 | 01.KKI020.01.00 | X | 1800 | 284 | 293 | 825 | 825 | 10 | 4 | 20 | | 20,80 |
| 01.KKI021.00.00 | 01.KKI021.01.00 | X | 2000 | 379 | 395 | 925 | 925 | 10 | 4 | 20 | | 21,77 |
| 01.KKI028.00.00 | 01.KKI028.01.00 | ✓ | 1600 | 278 | 288 | 725 | 725 | 8 | 4 | 20 | | 20,50 |
| 01.KKI029.00.00 | 01.KKI029.01.00 | ✓ | 1800 | 284 | 293 | 825 | 825 | 10 | 4 | 20 | | 21,80 |
| 01.KKI030.00.00 | 01.KKI030.01.00 | ✓ | 2000 | 379 | 395 | 925 | 925 | 10 | 4 | 20 | | 24,24 |

PZ: 85 mm Backset: 25 mm (Plastic Lock Case)

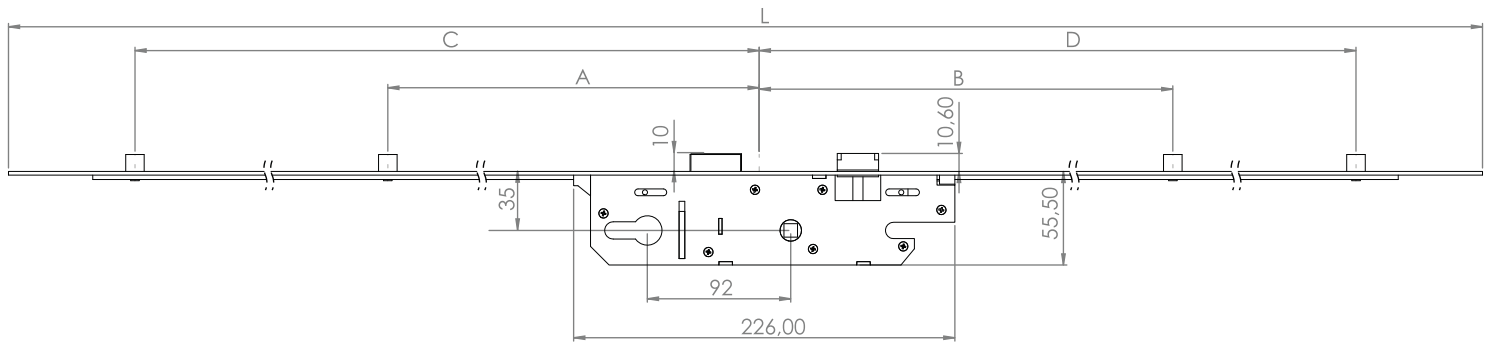


| | | | L | A | B | C | D | | | Qty. | | Kg |
|-----------------|-----------------|---|------|-----|-----|-----|-----|----|---|------|--|-------|
| 01.KKI034.00.00 | 01.KKI034.01.00 | X | 1600 | 278 | 288 | 725 | 725 | 8 | 4 | 20 | | 18,00 |
| 01.KKI035.00.00 | 01.KKI035.01.00 | X | 1800 | 284 | 293 | 825 | 825 | 10 | 4 | 20 | | 19,30 |
| 01.KKI036.00.00 | 01.KKI036.01.00 | X | 2000 | 379 | 395 | 925 | 925 | 10 | 4 | 20 | | 20,60 |
| 01.KKI043.00.00 | 01.KKI043.01.00 | ✓ | 1600 | 278 | 288 | 725 | 725 | 8 | 4 | 20 | | 18,50 |
| 01.KKI044.00.00 | 01.KKI044.01.00 | ✓ | 1800 | 284 | 293 | 825 | 825 | 10 | 4 | 20 | | 19,95 |
| 01.KKI045.00.00 | 01.KKI045.01.00 | ✓ | 2000 | 379 | 395 | 925 | 925 | 10 | 4 | 20 | | 21,60 |

Multipoint Locks

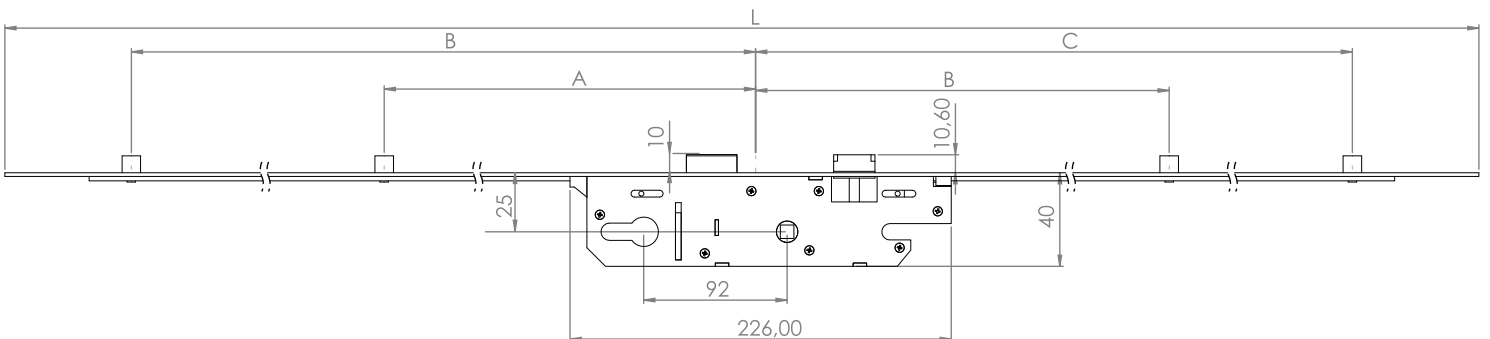
● Handle Operated

● PZ: 92 mm Backset: 35 mm (Plastic Lock Case)



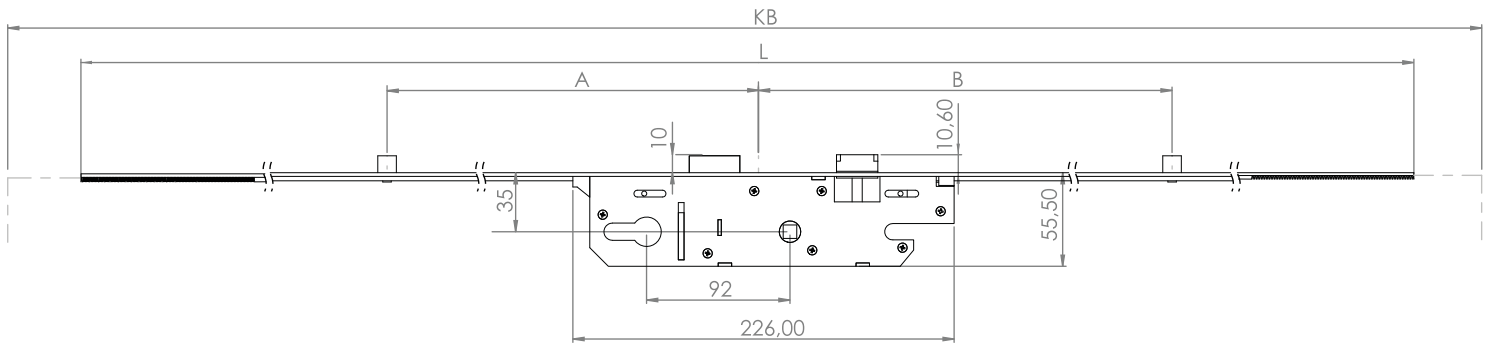
| | | | L | A | B | C | D | | | Qty. | | Kg |
|-----------------|-----------------|---|------|-----|-----|-----|-----|----|---|------|--|-------|
| 01.KKI037.00.00 | 01.KKI037.01.00 | X | 1600 | 295 | 295 | 725 | 725 | 8 | 4 | 20 | | 22,95 |
| 01.KKI038.00.00 | 01.KKI038.01.00 | X | 1800 | 275 | 280 | 825 | 825 | 10 | 4 | 20 | | 25,40 |
| 01.KKI039.00.00 | 01.KKI039.01.00 | X | 2000 | 378 | 370 | 925 | 925 | 10 | 4 | 20 | | 27,15 |
| 01.KKI046.00.00 | 01.KKI046.01.00 | ✓ | 1600 | 295 | 295 | 725 | 725 | 8 | 4 | 20 | | 23,55 |
| 01.KKI047.00.00 | 01.KKI047.01.00 | ✓ | 1800 | 275 | 280 | 825 | 825 | 10 | 4 | 20 | | 26,15 |
| 01.KKI048.00.00 | 01.KKI048.01.00 | ✓ | 2000 | 378 | 370 | 925 | 925 | 10 | 4 | 20 | | 27,40 |

● PZ: 92 mm Backset: 25 mm (Plastic Lock Case)



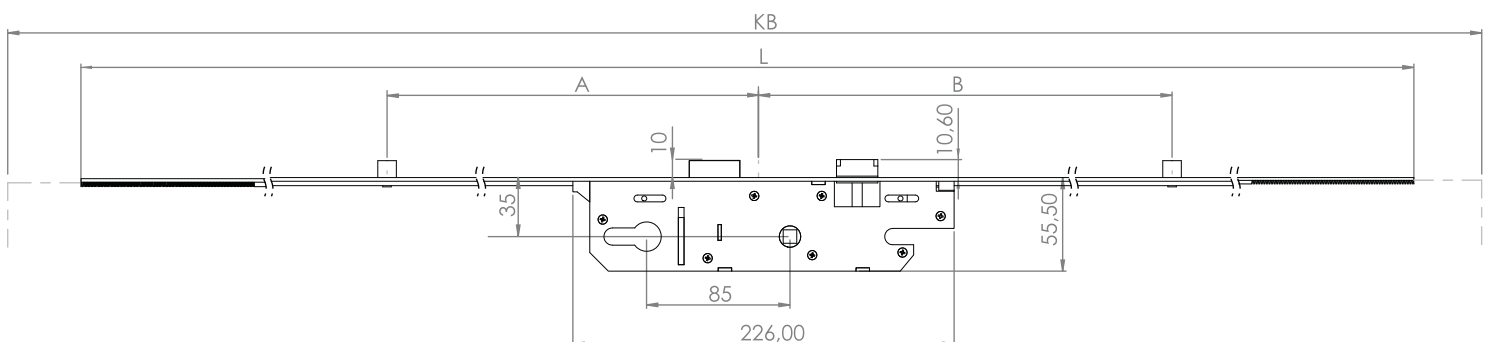
| | | | L | A | B | C | D | | | Qty. | | Kg |
|-----------------|-----------------|---|------|-----|-----|-----|-----|----|---|------|--|-------|
| 01.KKI040.00.00 | 01.KKI040.01.00 | X | 1600 | 295 | 295 | 725 | 725 | 8 | 4 | 20 | | 18,00 |
| 01.KKI041.00.00 | 01.KKI041.01.00 | X | 1800 | 275 | 280 | 825 | 825 | 10 | 4 | 20 | | 20,00 |
| 01.KKI042.00.00 | 01.KKI042.01.00 | X | 2000 | 378 | 370 | 925 | 925 | 10 | 4 | 20 | | 22,00 |
| 01.KKI049.00.00 | 01.KKI049.01.00 | ✓ | 1600 | 295 | 295 | 725 | 725 | 8 | 4 | 20 | | 18,20 |
| 01.KKI050.00.00 | 01.KKI050.01.00 | ✓ | 1800 | 275 | 280 | 825 | 825 | 10 | 4 | 20 | | 19,87 |
| 01.KKI051.00.00 | 01.KKI051.01.00 | ✓ | 2000 | 378 | 370 | 925 | 925 | 10 | 4 | 20 | | 21,70 |

PZ: 92 mm Backset: 35 mm Cuttable (Plastic Lock Case)



| | | | KB | L | A | B | | | Qty. | | Kg |
|-----------------|-----------------|---|-------------|------|-----|-----|---|---|------|--|-------|
| 01.KKI059.00.00 | 01.KKI059.01.00 | X | 1700 - 2200 | 1900 | 348 | 340 | 6 | 2 | 20 | | 23,00 |
| 01.KKI060.00.00 | 01.KKI060.01.00 | ✓ | 1700 - 2200 | 1900 | 348 | 340 | 6 | 2 | 20 | | 23,50 |

PZ: 85 mm Backset: 35 mm Cuttable (Plastic Lock Case)

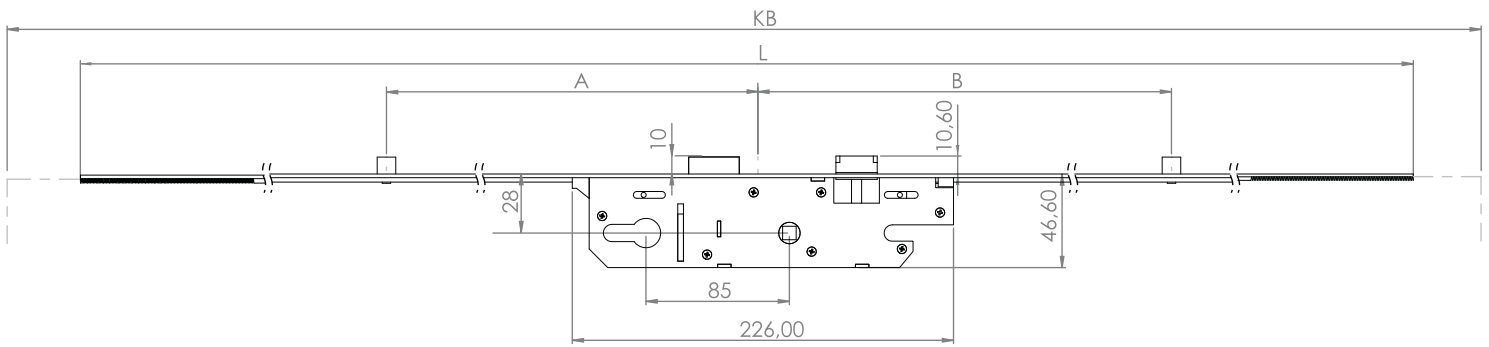


| | | | KB | L | A | B | | | Qty. | | Kg |
|-----------------|-----------------|---|-------------|------|-----|-----|---|---|------|--|-------|
| 01.KKI053.00.00 | 01.KKI053.01.00 | X | 1700 - 2200 | 1900 | 348 | 340 | 6 | 2 | 20 | | 21,35 |
| 01.KKI054.00.00 | 01.KKI054.01.00 | ✓ | 1700 - 2200 | 1900 | 348 | 340 | 6 | 2 | 20 | | 22,70 |

Multipoint Locks

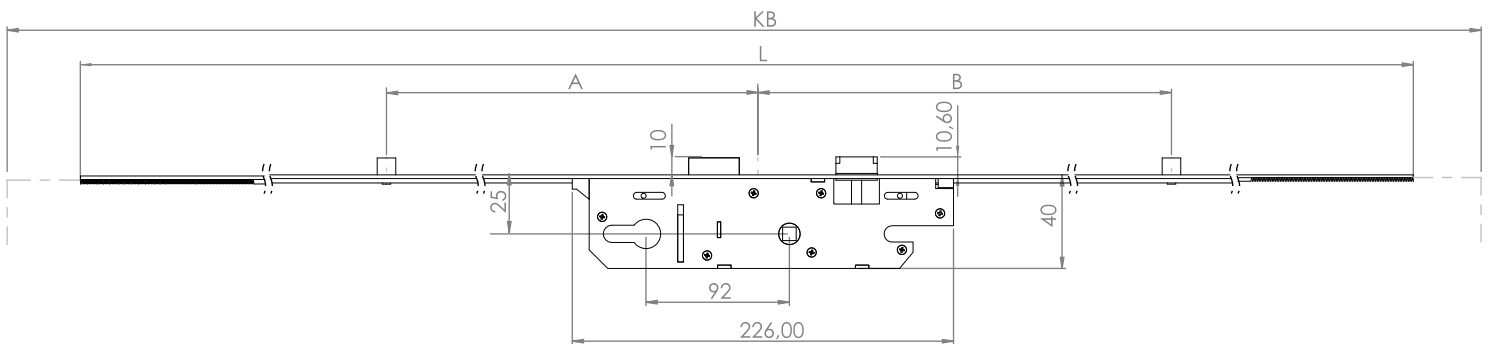
● Handle Operated

● PZ: 85 mm Backset: 28 mm Cuttable (Plastic Lock Case)



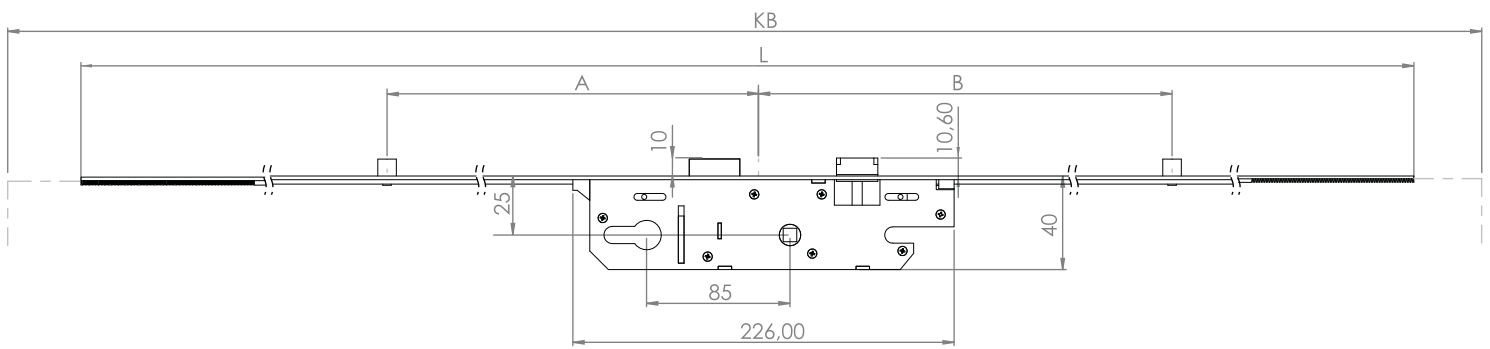
| | | | KB | L | A | B | | | Qty. | | Kg |
|-----------------|-----------------|---|-------------|------|-----|-----|---|---|------|--|-------|
| 01.KKI055.00.00 | 01.KKI055.01.00 | X | 1700 - 2200 | 1900 | 348 | 340 | 6 | 2 | 20 | | 20,98 |
| 01.KKI056.00.00 | 01.KKI056.01.00 | ✓ | 1700 - 2200 | 1900 | 348 | 340 | 6 | 2 | 20 | | 20,98 |

● PZ: 92 mm Backset: 25 mm Cuttable (Plastic Lock Case)



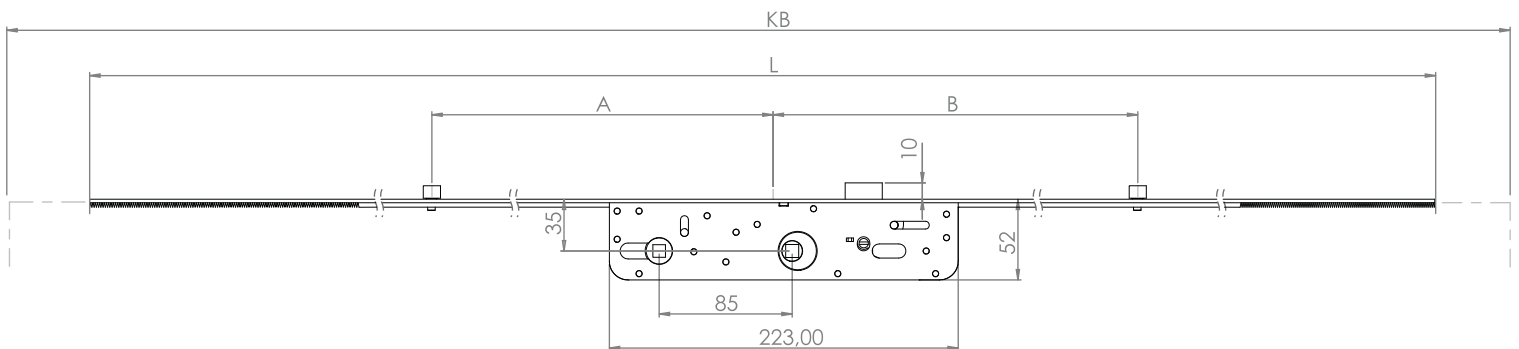
| | | | KB | L | A | B | | | Qty. | | Kg |
|-----------------|-----------------|---|-------------|------|-----|-----|---|---|------|--|-------|
| 01.KKI061.00.00 | 01.KKI061.01.00 | X | 1700 - 2200 | 1900 | 348 | 340 | 6 | 2 | 20 | | 21,55 |
| 01.KKI062.00.00 | 01.KKI062.01.00 | ✓ | 1700 - 2200 | 1900 | 348 | 340 | 6 | 2 | 20 | | 21,55 |

PZ: 85 mm Backset: 25 mm Cuttable (Plastic Lock Case)



| | | | KB | L | A | B | | | Qty. | | Kg |
|-----------------|-----------------|---|-------------|------|-----|-----|---|---|------|--|-------|
| 01.KKI057.00.00 | 01.KKI057.01.00 | X | 1700 - 2200 | 1900 | 348 | 340 | 6 | 2 | 20 | | 20,55 |
| 01.KKI058.00.00 | 01.KKI058.01.00 | ✓ | 1700 - 2200 | 1900 | 348 | 340 | 6 | 2 | 20 | | 20,55 |

PZ: 85 mm Backset: 35 mm Cuttable (Metal Lock Case)

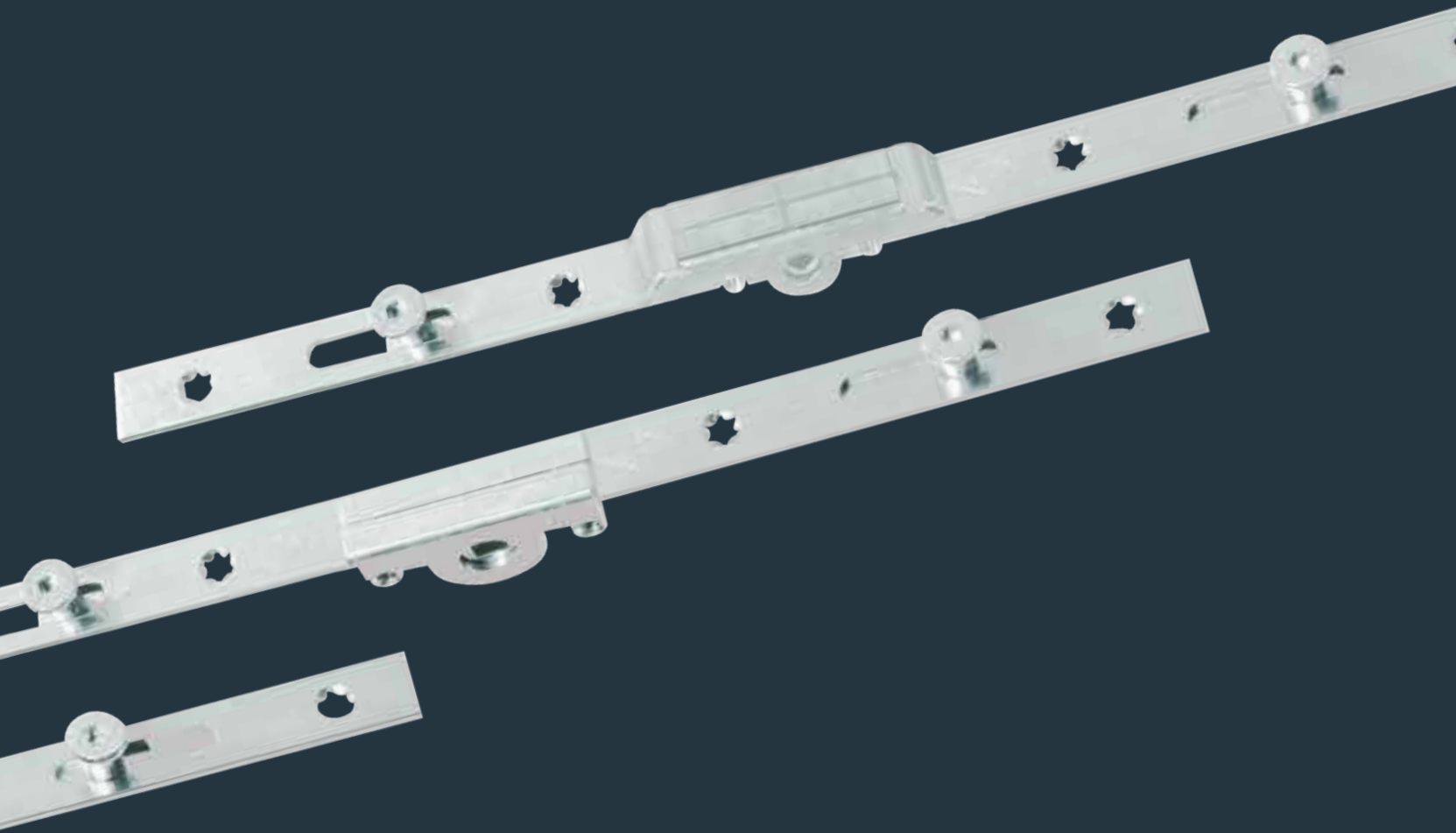


| | | | KB | L | A | B | | | Qty. | | Kg |
|-----------------|-----------------|---|--------------|------|-----|-----|---|---|------|--|-------|
| 01.KKI052.00.00 | 01.KKI052.01.00 | X | 1700 - 22000 | 1900 | 348 | 340 | 6 | 2 | 20 | | 26,45 |

Turn - Only Sytems

- Espagnolettes

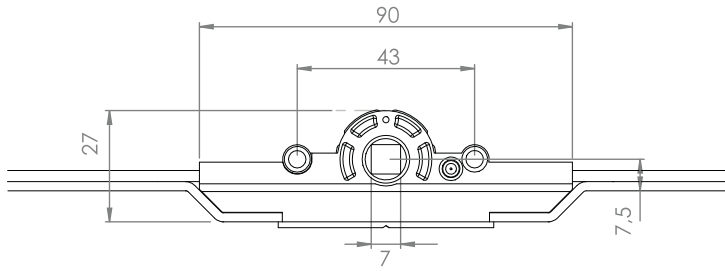




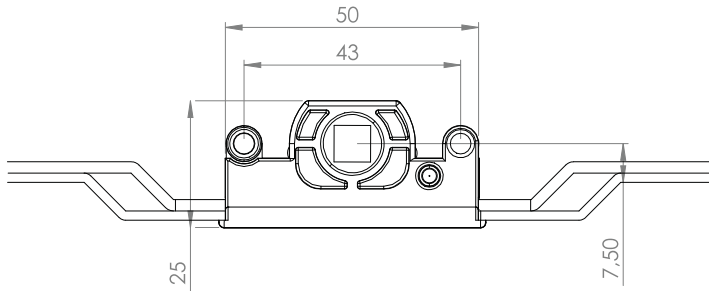
Turn - Only Systems

● Lock Case Types Espagnolettes

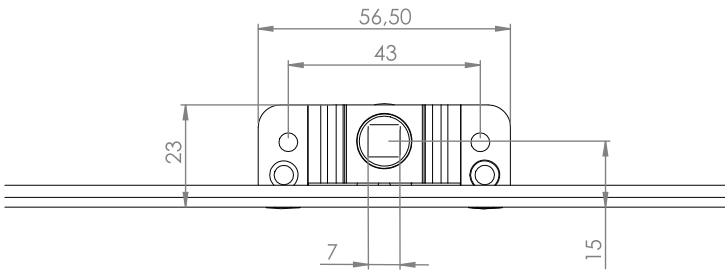
● 7,5 mm Backset Espagnolette



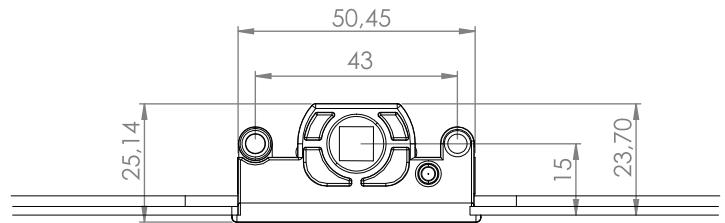
● 7,5 mm Backset Espagnolette (ECO)



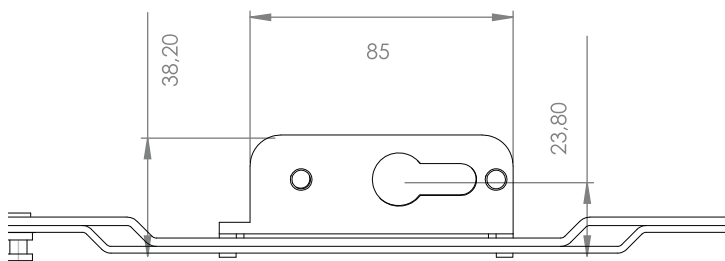
● 15 mm Backset Steel Lock Case



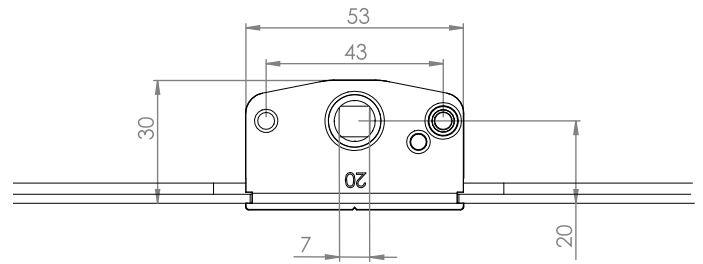
● 15 mm Backset Espagnolette



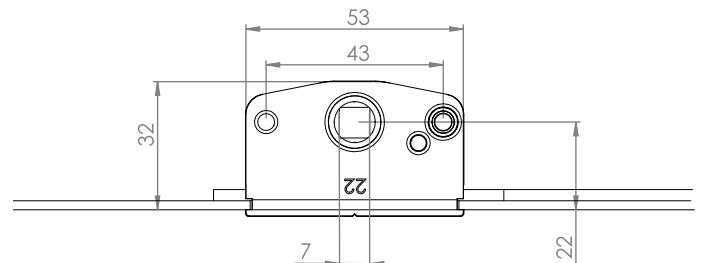
● Lockable Espagnolette



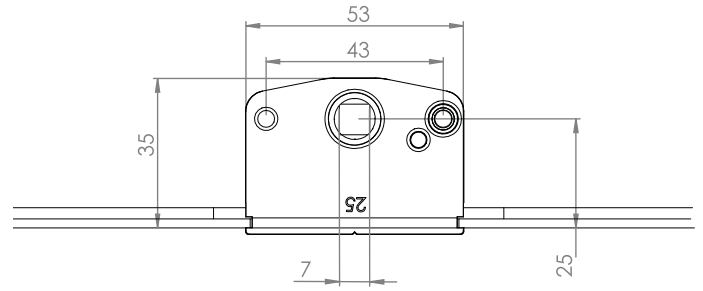
● 20 mm Backset Espagnolette



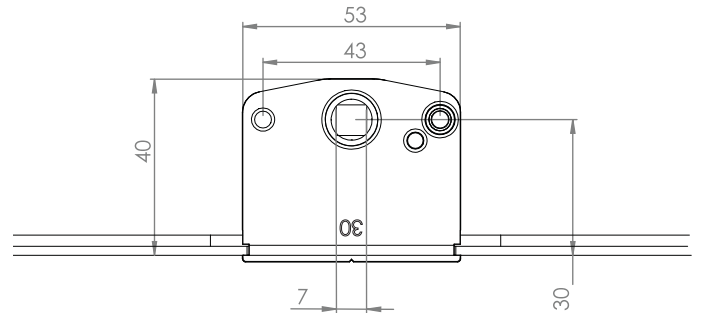
● 22 mm Backset Espagnolette



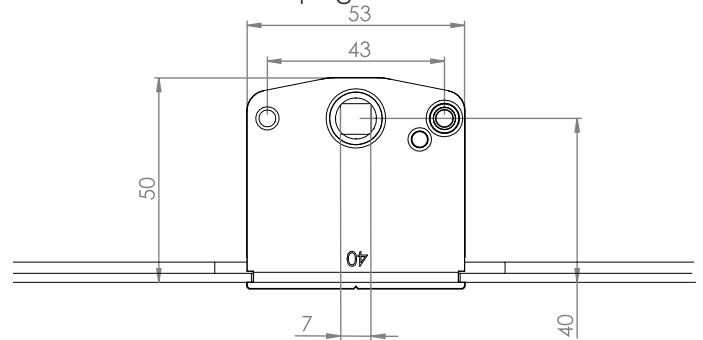
● 25 mm Backset Espagnolette



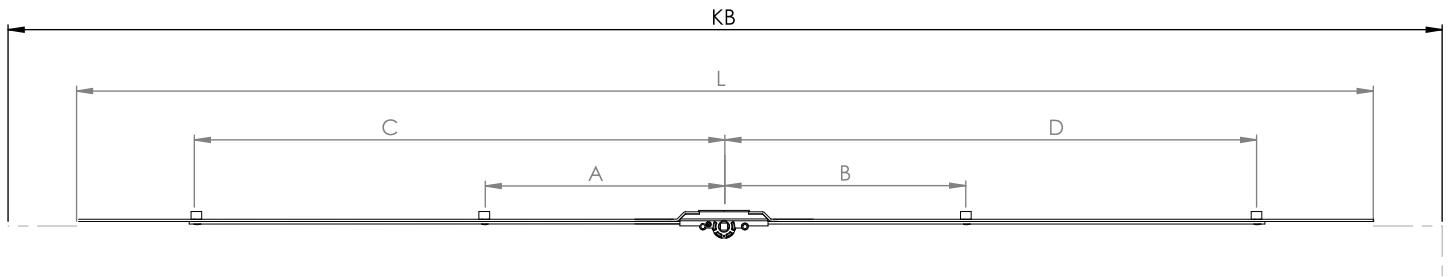
● 30 mm Backset Espagnolette



● 40 mm Backset Espagnolette

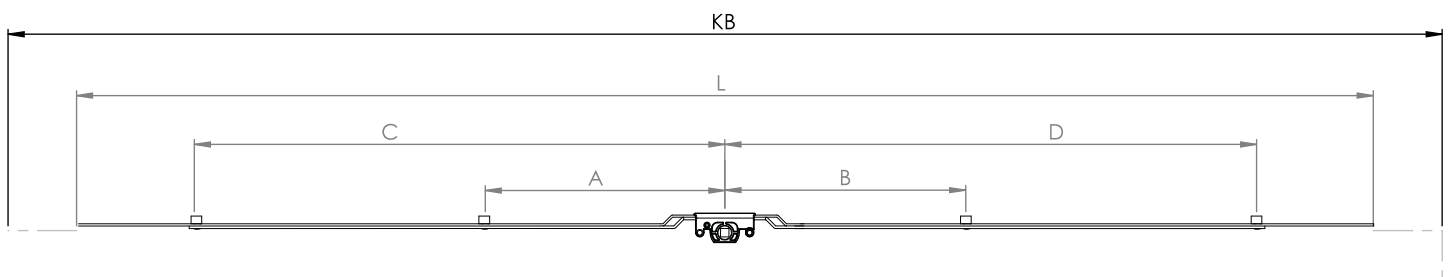


7,5 mm Backset Zinc Lock Case Espagnolettes ●



| | | KB | L | A | B | C | D | | | Qty. | | Kg |
|-----------------|-----------------|-------------|------|-----|-----|-----|-----|----|---|------|---|----|
| 00.TAI100.02.00 | 00.TAI101.02.00 | 400 - 600 | 400 | 143 | 143 | - | - | 4 | 2 | 20 | - | - |
| 00.TAI100.03.00 | 00.TAI101.03.00 | 600 - 800 | 600 | 179 | 179 | - | - | 6 | 2 | 20 | - | - |
| 00.TAI100.04.00 | 00.TAI101.04.00 | 800 - 1000 | 800 | 279 | 279 | - | - | 6 | 2 | 20 | - | - |
| 00.TAI100.05.00 | 00.TAI101.05.00 | 1000 - 1200 | 1000 | 98 | - | 379 | 379 | 9 | 3 | 20 | - | - |
| 00.TAI100.06.00 | 00.TAI101.06.00 | 1200 - 1400 | 1200 | 98 | - | 479 | 479 | 9 | 3 | 20 | - | - |
| 00.TAI100.08.00 | 00.TAI101.08.00 | 1400 - 1600 | 1400 | 98 | - | 579 | 579 | 9 | 3 | 20 | - | - |
| 00.TAI100.09.00 | 00.TAI101.09.00 | 1600 - 1800 | 1600 | 248 | 248 | 679 | 679 | 11 | 4 | 20 | - | - |
| 00.TAI100.09.00 | 00.TAI101.09.00 | 1800 - 2000 | 1800 | 281 | 281 | 779 | 779 | 11 | 4 | 20 | - | - |
| 00.TAI100.10.00 | 00.TAI101.10.00 | 2000 - 2200 | 2000 | 316 | 316 | 879 | 879 | 14 | 4 | 20 | - | - |

7,5 mm Backset Zinc Lock Case Espagnolettes (ECO) ●

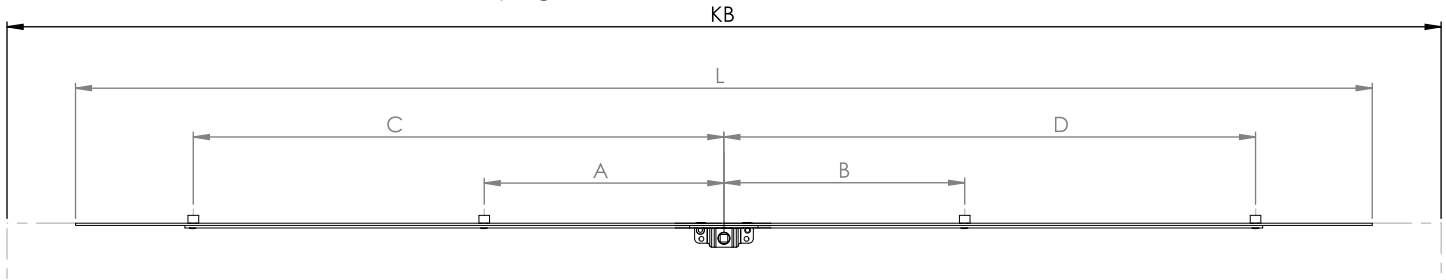


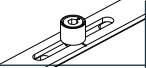
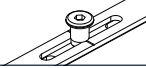

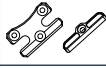

| | | KB | L | A | B | C | D | | | Qty. | | Kg |
|-----------------|-----------------|-------------|------|-----|-----|-----|-----|----|---|------|---|----|
| 00.TAI102.02.00 | 00.TAI103.02.00 | 400 - 600 | 400 | 143 | 143 | - | - | 4 | 2 | 20 | - | - |
| 00.TAI102.03.00 | 00.TAI103.03.00 | 600 - 800 | 600 | 179 | 179 | - | - | 6 | 2 | 20 | - | - |
| 00.TAI102.04.00 | 00.TAI103.04.00 | 800 - 1000 | 800 | 279 | 279 | - | - | 6 | 2 | 20 | - | - |
| 00.TAI102.05.00 | 00.TAI103.05.00 | 1000 - 1200 | 1000 | 98 | - | 379 | 379 | 9 | 3 | 20 | - | - |
| 00.TAI102.06.00 | 00.TAI103.06.00 | 1200 - 1400 | 1200 | 98 | - | 479 | 479 | 9 | 3 | 20 | - | - |
| 00.TAI102.08.00 | 00.TAI103.08.00 | 1400 - 1600 | 1400 | 98 | - | 579 | 579 | 9 | 3 | 20 | - | - |
| 00.TAI102.09.00 | 00.TAI103.09.00 | 1600 - 1800 | 1600 | 248 | 248 | 679 | 679 | 11 | 4 | 20 | - | - |
| 00.TAI102.09.00 | 00.TAI103.09.00 | 1800 - 2000 | 1800 | 281 | 281 | 779 | 779 | 11 | 4 | 20 | - | - |
| 00.TAI102.10.00 | 00.TAI103.10.00 | 2000 - 2200 | 2000 | 316 | 316 | 879 | 879 | 14 | 4 | 20 | - | - |

Turn - Only Systems

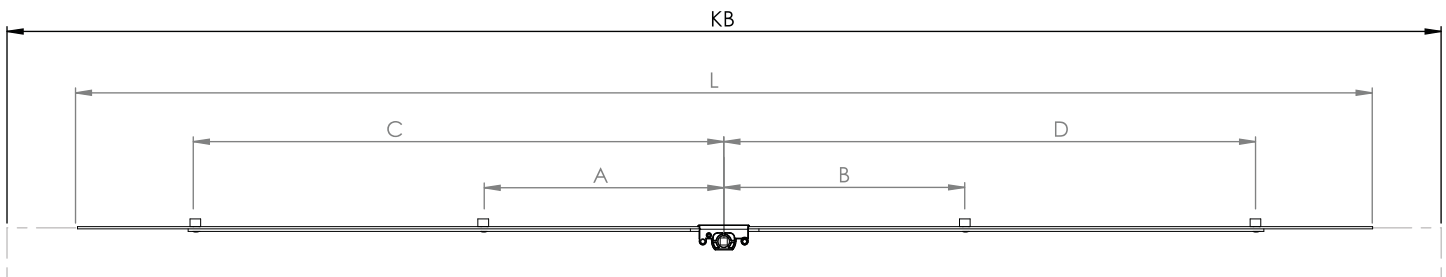
● Espagnolettes

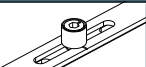




● 15 mm Backset Steel Lock Case Espagnolettes



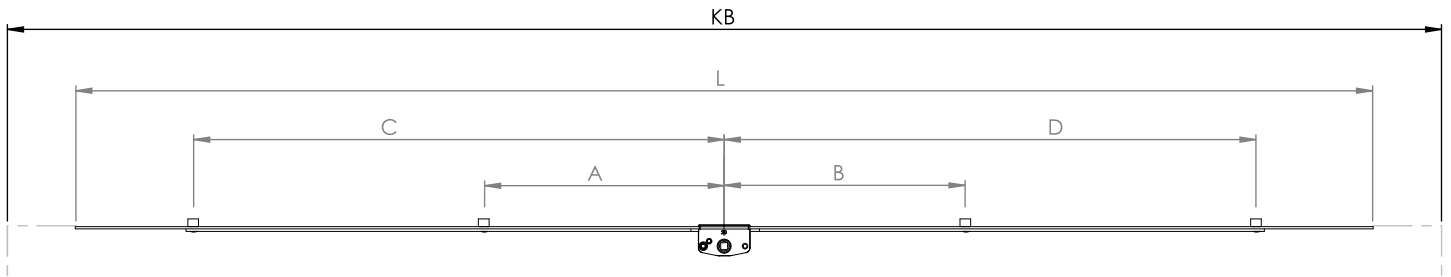
|  |  | KB | L | A | B | C | D |  |  | Qty.  | Kg |
|---|---|-------------|------|-----|-----|-----|-----|---|---|--|-------|
| 01.TAI210.01.00 | 01.TAI211.01.00 | 300 - 400 | 300 | 93 | 93 | - | - | 4 | 2 | 20 | 2,88 |
| 01.TAI210.02.00 | 01.TAI211.02.00 | 400 - 600 | 400 | 143 | 143 | - | - | 4 | 2 | 20 | 3,78 |
| 01.TAI210.03.00 | 01.TAI211.03.00 | 600 - 800 | 600 | 179 | 179 | - | - | 6 | 2 | 20 | 5,40 |
| 01.TAI210.04.00 | 01.TAI211.04.00 | 800 - 1000 | 800 | 279 | 279 | - | - | 6 | 2 | 20 | 6,05 |
| 01.TAI210.05.00 | 01.TAI211.05.00 | 1000 - 1200 | 1000 | 98 | - | 379 | 379 | 9 | 3 | 20 | 8,75 |
| 01.TAI210.06.00 | 01.TAI211.06.00 | 1200 - 1400 | 1200 | 98 | - | 479 | 479 | 9 | 3 | 20 | 10,52 |
| 01.TAI210.07.00 | 01.TAI211.07.00 | 1400 - 1600 | 1400 | 98 | - | 579 | 579 | 9 | 3 | 20 | 12,35 |
| 01.TAI210.08.00 | 01.TAI211.08.00 | 1600 - 1800 | 1600 | 248 | 248 | 679 | 679 | 11 | 4 | 20 | 14,15 |
| 01.TAI210.09.00 | 01.TAI211.09.00 | 1800 - 2000 | 1800 | 281 | 281 | 779 | 779 | 11 | 4 | 20 | 15,85 |
| 01.TAI210.10.00 | 01.TAI211.10.00 | 2000 - 2200 | 2000 | 316 | 316 | 879 | 879 | 14 | 4 | 20 | 17,90 |

● 15 mm Backset Zinc Lock Case Espagnolettes



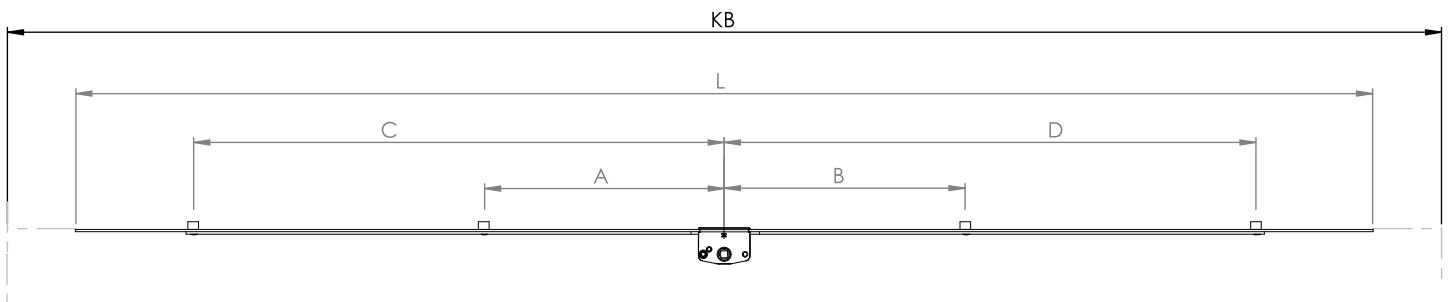
|  |  | KB | L | A | B | C | D |  |  | Qty.  | Kg |
|---|---|-------------|------|-----|-----|-----|-----|---|---|--|-------|
| 00.TAI200.01.00 | 00.TAI201.01.00 | 300 - 400 | 300 | 93 | 93 | - | - | 4 | 2 | 20 | 3,08 |
| 00.TAI200.02.00 | 00.TAI201.02.00 | 400 - 600 | 400 | 143 | 143 | - | - | 4 | 2 | 20 | 4,05 |
| 00.TAI200.03.00 | 00.TAI201.03.00 | 600 - 800 | 600 | 179 | 179 | - | - | 6 | 2 | 20 | 5,70 |
| 00.TAI200.04.00 | 00.TAI201.04.00 | 800 - 1000 | 800 | 279 | 279 | - | - | 6 | 2 | 20 | 7,52 |
| 00.TAI200.05.00 | 00.TAI201.05.00 | 1000 - 1200 | 1000 | 98 | - | 379 | 379 | 9 | 3 | 20 | 8,60 |
| 00.TAI200.06.00 | 00.TAI201.06.00 | 1200 - 1400 | 1200 | 98 | - | 479 | 479 | 9 | 3 | 20 | 10,56 |
| 00.TAI200.07.00 | 00.TAI201.07.00 | 1400 - 1600 | 1400 | 98 | - | 579 | 579 | 9 | 3 | 20 | 12,75 |
| 00.TAI200.08.00 | 00.TAI201.08.00 | 1600 - 1800 | 1600 | 248 | 248 | 679 | 679 | 11 | 4 | 20 | 14,40 |
| 00.TAI200.09.00 | 00.TAI201.09.00 | 1800 - 2000 | 1800 | 281 | 281 | 779 | 779 | 11 | 4 | 20 | 16,10 |
| 00.TAI200.10.00 | 00.TAI201.10.00 | 2000 - 2200 | 2000 | 316 | 316 | 879 | 879 | 14 | 4 | 20 | 18,32 |

20 mm Backset Zinc Lock Case Espagnolettes ●



| | | KB | L | A | B | C | D | | | Qty. | Kg |
|-----------------|-----------------|-------------|------|-----|-----|-----|-----|----|---|------|----|
| 00.TAI300.01.00 | 00.TAI301.01.00 | 300 - 400 | 300 | 93 | 93 | - | - | 4 | 2 | 20 | - |
| 00.TAI300.02.00 | 00.TAI301.02.00 | 400 - 600 | 400 | 143 | 143 | - | - | 4 | 2 | 20 | - |
| 00.TAI300.03.00 | 00.TAI301.03.00 | 600 - 800 | 600 | 179 | 179 | - | - | 6 | 2 | 20 | - |
| 00.TAI300.04.00 | 00.TAI301.04.00 | 800 - 1000 | 800 | 279 | 279 | - | - | 6 | 2 | 20 | - |
| 00.TAI300.05.00 | 00.TAI301.05.00 | 1000 - 1200 | 1000 | 98 | - | 379 | 379 | 9 | 3 | 20 | - |
| 00.TAI300.06.00 | 00.TAI301.06.00 | 1200 - 1400 | 1200 | 98 | - | 479 | 479 | 9 | 3 | 20 | - |
| 00.TAI300.07.00 | 00.TAI301.07.00 | 1400 - 1600 | 1400 | 98 | - | 579 | 579 | 9 | 3 | 20 | - |
| 00.TAI300.08.00 | 00.TAI301.08.00 | 1600 - 1800 | 1600 | 248 | 248 | 679 | 679 | 11 | 4 | 20 | - |
| 00.TAI300.09.00 | 00.TAI301.09.00 | 1800 - 2000 | 1800 | 281 | 281 | 779 | 779 | 11 | 4 | 20 | - |
| 00.TAI300.10.00 | 00.TAI301.10.00 | 2000 - 2200 | 2000 | 316 | 316 | 879 | 879 | 14 | 4 | 20 | - |

22 mm Backset Zinc Lock Case Espagnolettes ●

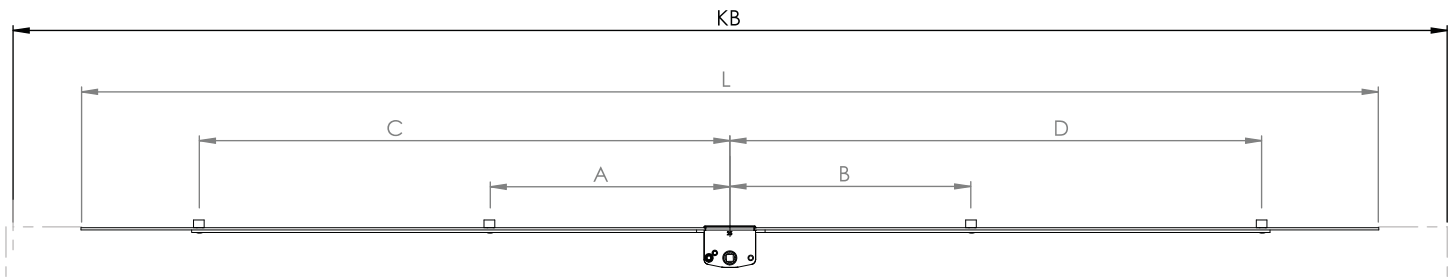


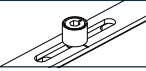
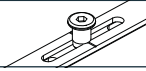

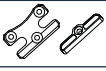

| | | KB | L | A | B | C | D | | | Qty. | Kg |
|-----------------|-----------------|-------------|------|-----|-----|-----|-----|----|---|------|-------|
| 00.TAI400.01.00 | 00.TAI401.01.00 | 300 - 400 | 300 | 93 | 93 | - | - | 4 | 2 | 20 | 1,77 |
| 00.TAI400.02.00 | 00.TAI401.02.00 | 400 - 600 | 400 | 143 | 143 | - | - | 4 | 2 | 20 | 2,23 |
| 00.TAI400.03.00 | 00.TAI401.03.00 | 600 - 800 | 600 | 179 | 179 | - | - | 6 | 2 | 20 | 2,90 |
| 00.TAI400.04.00 | 00.TAI401.04.00 | 800 - 1000 | 800 | 279 | 279 | - | - | 6 | 2 | 20 | 3,85 |
| 00.TAI400.05.00 | 00.TAI401.05.00 | 1000 - 1200 | 1000 | 98 | - | 379 | 379 | 9 | 3 | 20 | 4,67 |
| 00.TAI400.06.00 | 00.TAI401.06.00 | 1200 - 1400 | 1200 | 98 | - | 479 | 479 | 9 | 3 | 20 | 5,42 |
| 00.TAI400.07.00 | 00.TAI401.07.00 | 1400 - 1600 | 1400 | 98 | - | 579 | 579 | 9 | 3 | 20 | 16,72 |
| 00.TAI400.08.00 | 00.TAI401.08.00 | 1600 - 1800 | 1600 | 248 | 248 | 679 | 679 | 11 | 4 | 20 | 18,75 |
| 00.TAI400.09.00 | 00.TAI401.09.00 | 1800 - 2000 | 1800 | 281 | 281 | 779 | 779 | 11 | 4 | 20 | 21,00 |
| 00.TAI400.10.00 | 00.TAI401.10.00 | 2000 - 2200 | 2000 | 316 | 316 | 879 | 879 | 14 | 4 | 20 | 23,00 |

Turn - Only Systems

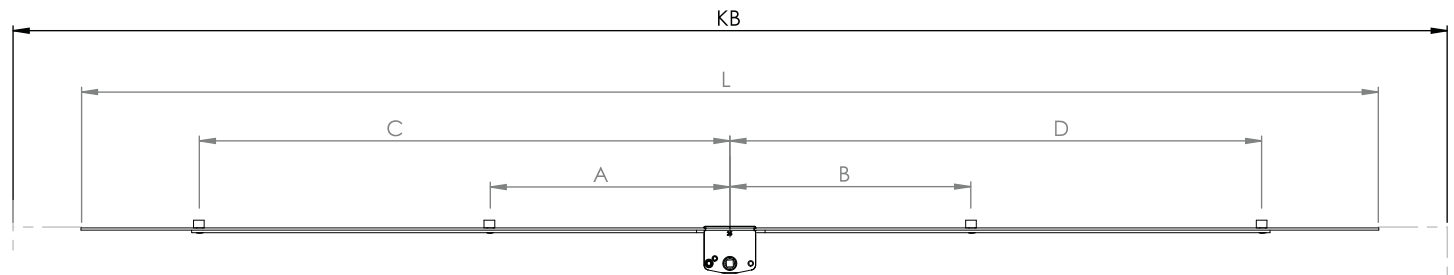
● Espagnolettes

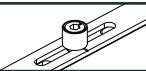
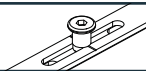

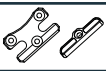

● 25 mm Backset Zinc Lock Case Espagnolettes



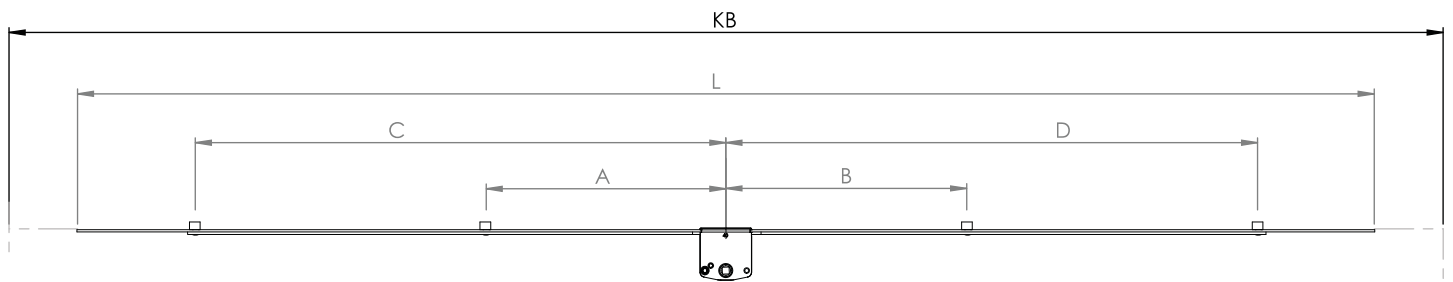
|  |  | KB | L | A | B | C | D |  |  | Qty.  | Kg |
|---|---|-------------|------|-----|-----|-----|-----|---|---|--|-------|
| 00.TAI500.01.00 | 00.TAI501.01.00 | 300 - 400 | 300 | 93 | 93 | - | - | 4 | 2 | 20 | 1,85 |
| 00.TAI500.02.00 | 00.TAI501.02.00 | 400 - 600 | 400 | 143 | 143 | - | - | 4 | 2 | 20 | 2,25 |
| 00.TAI500.03.00 | 00.TAI501.03.00 | 600 - 800 | 600 | 179 | 179 | - | - | 6 | 2 | 20 | 3,15 |
| 00.TAI500.04.00 | 00.TAI501.04.00 | 800 - 1000 | 800 | 279 | 279 | - | - | 6 | 2 | 20 | 3,98 |
| 00.TAI500.05.00 | 00.TAI501.05.00 | 1000 - 1200 | 1000 | 98 | - | 379 | 379 | 9 | 3 | 20 | 4,85 |
| 00.TAI500.06.00 | 00.TAI501.06.00 | 1200 - 1400 | 1200 | 98 | - | 479 | 479 | 9 | 3 | 20 | 5,60 |
| 00.TAI500.07.00 | 00.TAI501.07.00 | 1400 - 1600 | 1400 | 98 | - | 579 | 579 | 9 | 3 | 20 | 17,05 |
| 00.TAI500.08.00 | 00.TAI501.08.00 | 1600 - 1800 | 1600 | 248 | 248 | 679 | 679 | 11 | 4 | 20 | 19,05 |
| 00.TAI500.09.00 | 00.TAI501.09.00 | 1800 - 2000 | 1800 | 281 | 281 | 779 | 779 | 11 | 4 | 20 | 21,80 |
| 00.TAI500.10.00 | 00.TAI501.10.00 | 2000 - 2200 | 2000 | 316 | 316 | 879 | 879 | 14 | 4 | 20 | 23,85 |

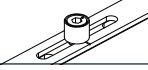
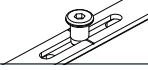

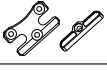

● 30 mm Backset Zinc Lock Case Espagnolettes



|  |  | KB | L | A | B | C | D |  |  | Qty.  | Kg |
|---|---|-------------|------|-----|-----|-----|-----|---|---|--|----|
| 00.TAI700.01.00 | 00.TAI701.01.00 | 300 - 400 | 300 | 93 | 93 | - | - | 4 | 2 | 20 | - |
| 00.TAI700.02.00 | 00.TAI701.02.00 | 400 - 600 | 400 | 143 | 143 | - | - | 4 | 2 | 20 | - |
| 00.TAI700.03.00 | 00.TAI701.03.00 | 600 - 800 | 600 | 179 | 179 | - | - | 6 | 2 | 20 | - |
| 00.TAI700.04.00 | 00.TAI701.04.00 | 800 - 1000 | 800 | 279 | 279 | - | - | 6 | 2 | 20 | - |
| 00.TAI700.05.00 | 00.TAI701.05.00 | 1000 - 1200 | 1000 | 98 | - | 379 | 379 | 9 | 3 | 20 | - |
| 00.TAI700.06.00 | 00.TAI701.06.00 | 1200 - 1400 | 1200 | 98 | - | 479 | 479 | 9 | 3 | 20 | - |
| 00.TAI700.07.00 | 00.TAI701.07.00 | 1400 - 1600 | 1400 | 98 | - | 579 | 579 | 9 | 3 | 20 | - |
| 00.TAI700.08.00 | 00.TAI701.08.00 | 1600 - 1800 | 1600 | 248 | 248 | 679 | 679 | 11 | 4 | 20 | - |
| 00.TAI700.09.00 | 00.TAI701.09.00 | 1800 - 2000 | 1800 | 281 | 281 | 779 | 779 | 11 | 4 | 20 | - |
| 00.TAI700.10.00 | 00.TAI701.10.00 | 2000 - 2200 | 2000 | 316 | 316 | 879 | 879 | 14 | 4 | 20 | - |

40 mm Backset Zinc Lock Case Espagnolettes ●

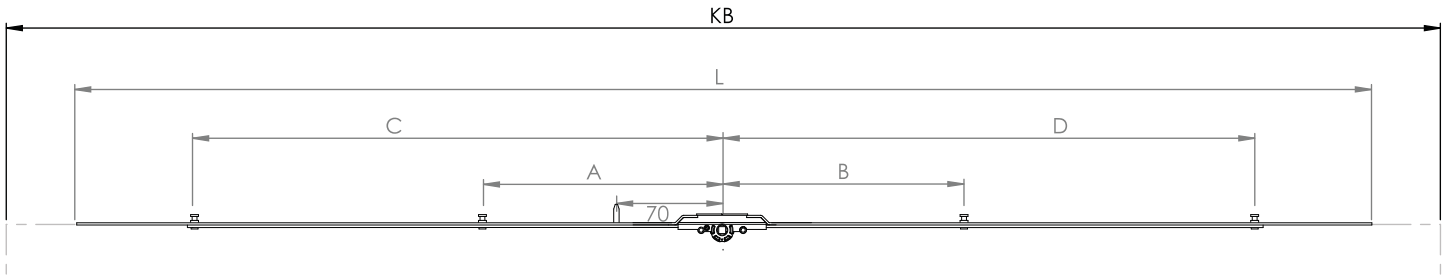


|  |  | KB | L | A | B | C | D |  |  | Qty.  | Kg |
|---|---|-------------|------|-----|-----|-----|-----|---|---|--|-------|
| 00.TAI600.01.00 | 00.TAI601.01.00 | 300 - 400 | 300 | 93 | 93 | - | - | 4 | 2 | 20 | 1,85 |
| 00.TAI600.02.00 | 00.TAI601.02.00 | 400 - 600 | 400 | 143 | 143 | - | - | 4 | 2 | 20 | 2,25 |
| 00.TAI600.03.00 | 00.TAI601.03.00 | 600 - 800 | 600 | 179 | 179 | - | - | 6 | 2 | 20 | 3,15 |
| 00.TAI600.04.00 | 00.TAI601.04.00 | 800 - 1000 | 800 | 279 | 279 | - | - | 6 | 2 | 20 | 3,98 |
| 00.TAI600.05.00 | 00.TAI601.05.00 | 1000 - 1200 | 1000 | 98 | - | 379 | 379 | 9 | 3 | 20 | 4,85 |
| 00.TAI600.06.00 | 00.TAI601.06.00 | 1200 - 1400 | 1200 | 98 | - | 479 | 479 | 9 | 3 | 20 | 5,60 |
| 00.TAI600.07.00 | 00.TAI601.07.00 | 1400 - 1600 | 1400 | 98 | - | 579 | 579 | 9 | 3 | 20 | 17,05 |
| 00.TAI600.08.00 | 00.TAI601.08.00 | 1600 - 1800 | 1600 | 248 | 248 | 679 | 679 | 11 | 4 | 20 | 19,05 |
| 00.TAI600.09.00 | 00.TAI601.09.00 | 1800 - 2000 | 1800 | 281 | 281 | 779 | 779 | 11 | 4 | 20 | 21,80 |
| 00.TAI600.10.00 | 00.TAI601.10.00 | 2000 - 2200 | 2000 | 316 | 316 | 879 | 879 | 14 | 4 | 20 | 23,85 |

Turn - Only Systems

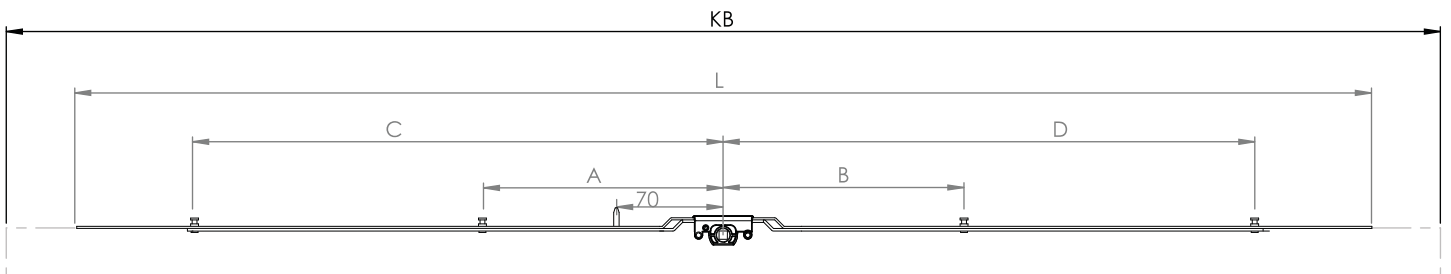
● Espagnolettes

● 7,5 mm Backset Zinc Lock Case Sliding Espagnolettes



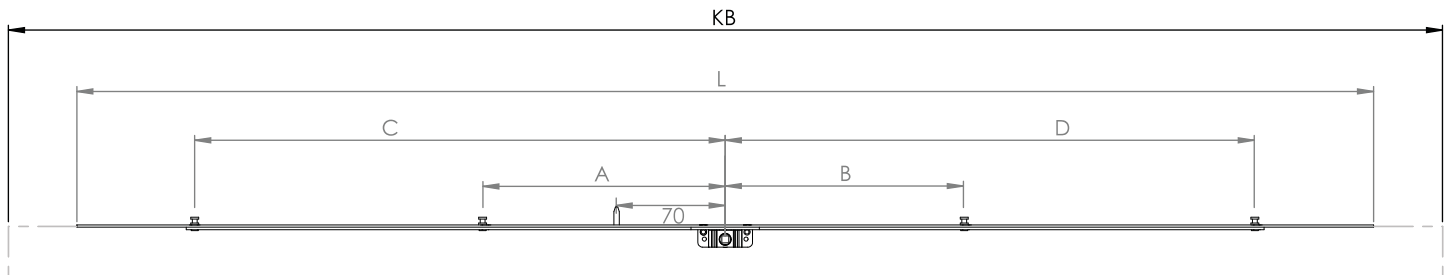
| | | KB | L | A | B | C | D | | | Qty. | Kg |
|-----------------|-----------------|-------------|------|-----|-----|-----|-----|----|---|------|----|
| 00.BSI205.01.00 | 00.BSI206.01.00 | 300 - 400 | 300 | 93 | 93 | - | - | 4 | 2 | 20 | - |
| 00.BSI205.02.00 | 00.BSI206.02.00 | 400 - 600 | 400 | 143 | 143 | - | - | 4 | 2 | 20 | - |
| 00.BSI205.03.00 | 00.BSI206.03.00 | 600 - 800 | 600 | 179 | 179 | - | - | 6 | 2 | 20 | - |
| 00.BSI205.04.00 | 00.BSI206.04.00 | 800 - 1000 | 800 | 279 | 279 | - | - | 6 | 2 | 20 | - |
| 00.BSI205.05.00 | 00.BSI206.05.00 | 1000 - 1200 | 1000 | 98 | - | 379 | 379 | 9 | 3 | 20 | - |
| 00.BSI205.06.00 | 00.BSI206.06.00 | 1200 - 1400 | 1200 | 98 | - | 479 | 479 | 9 | 3 | 20 | - |
| 00.BSI205.07.00 | 00.BSI206.07.00 | 1400 - 1600 | 1400 | 98 | - | 579 | 579 | 9 | 3 | 20 | - |
| 00.BSI205.08.00 | 00.BSI206.08.00 | 1600 - 1800 | 1600 | 248 | 248 | 679 | 679 | 11 | 4 | 20 | - |
| 00.BSI205.09.00 | 00.BSI206.09.00 | 1800 - 2000 | 1800 | 281 | 281 | 779 | 779 | 11 | 4 | 20 | - |
| 00.BSI205.10.00 | 00.BSI206.10.00 | 2000 - 2200 | 2000 | 316 | 316 | 879 | 879 | 14 | 4 | 20 | - |

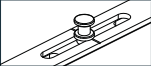
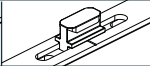



● 7,5 mm Backset Zinc Lock Case Sliding Espagnolettes (ECO)



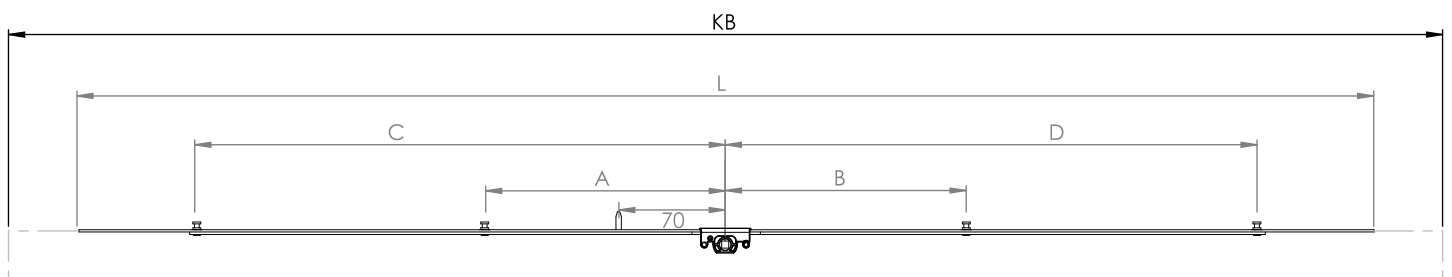
| | | KB | L | A | B | C | D | | | Qty. | Kg |
|-----------------|-----------------|-------------|------|-----|-----|-----|-----|----|---|------|----|
| 00.BSI203.02.00 | 00.BSI204.02.00 | 400 - 600 | 400 | 143 | 143 | - | - | 4 | 2 | 20 | - |
| 00.BSI203.03.00 | 00.BSI204.03.00 | 600 - 800 | 600 | 179 | 179 | - | - | 6 | 2 | 20 | - |
| 00.BSI203.04.00 | 00.BSI204.04.00 | 800 - 1000 | 800 | 279 | 279 | - | - | 6 | 2 | 20 | - |
| 00.BSI203.05.00 | 00.BSI204.05.00 | 1000 - 1200 | 1000 | 98 | - | 379 | 379 | 9 | 3 | 20 | - |
| 00.BSI203.06.00 | 00.BSI204.06.00 | 1200 - 1400 | 1200 | 98 | - | 479 | 479 | 9 | 3 | 20 | - |
| 00.BSI203.08.00 | 00.BSI204.08.00 | 1400 - 1600 | 1400 | 98 | - | 579 | 579 | 9 | 3 | 20 | - |
| 00.BSI203.09.00 | 00.BSI204.09.00 | 1600 - 1800 | 1600 | 248 | 248 | 679 | 679 | 11 | 4 | 20 | - |
| 00.BSI203.09.00 | 00.BSI204.09.00 | 1800 - 2000 | 1800 | 281 | 281 | 779 | 779 | 11 | 4 | 20 | - |
| 00.BSI203.10.00 | 00.BSI204.10.00 | 2000 - 2200 | 2000 | 316 | 316 | 879 | 879 | 14 | 4 | 20 | - |

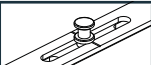
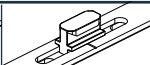

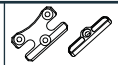

15 mm Backset Steel Lock Case Sliding Espagnolettes ●



|  |  | KB | L | A | B | C | D |  |  | Qty.  | Kg |
|---|---|-------------|------|-----|-----|-----|-----|---|---|--|-------|
| 01.BSI212.01.00 | 01.BSI213.01.00 | 300 - 400 | 300 | 93 | 93 | - | - | 4 | 2 | 20 | 2,88 |
| 01.BSI212.02.00 | 01.BSI213.02.00 | 400 - 600 | 400 | 143 | 143 | - | - | 4 | 2 | 20 | 3,78 |
| 01.BSI212.03.00 | 01.BSI213.03.00 | 600 - 800 | 600 | 179 | 179 | - | - | 6 | 2 | 20 | 5,40 |
| 01.BSI212.04.00 | 01.BSI213.04.00 | 800 - 1000 | 800 | 279 | 279 | - | - | 6 | 2 | 20 | 7,20 |
| 01.BSI212.05.00 | 01.BSI213.05.00 | 1000 - 1200 | 1000 | 98 | - | 379 | 379 | 9 | 3 | 20 | 8,75 |
| 01.BSI212.06.00 | 01.BSI213.06.00 | 1200 - 1400 | 1200 | 98 | - | 479 | 479 | 9 | 3 | 20 | 10,52 |
| 01.BSI212.07.00 | 01.BSI213.07.00 | 1400 - 1600 | 1400 | 98 | - | 579 | 579 | 9 | 3 | 20 | 12,35 |
| 01.BSI212.08.00 | 01.BSI213.08.00 | 1600 - 1800 | 1600 | 248 | 248 | 679 | 679 | 11 | 4 | 20 | 14,15 |
| 01.BSI212.09.00 | 01.BSI213.09.00 | 1800 - 2000 | 1800 | 281 | 281 | 779 | 779 | 11 | 4 | 20 | 15,85 |
| 01.BSI212.10.00 | 01.BSI213.10.00 | 2000 - 2200 | 2000 | 316 | 316 | 879 | 879 | 14 | 4 | 20 | 17,90 |

15 mm Backset Zinc Lock Case Sliding Espagnolettes ●

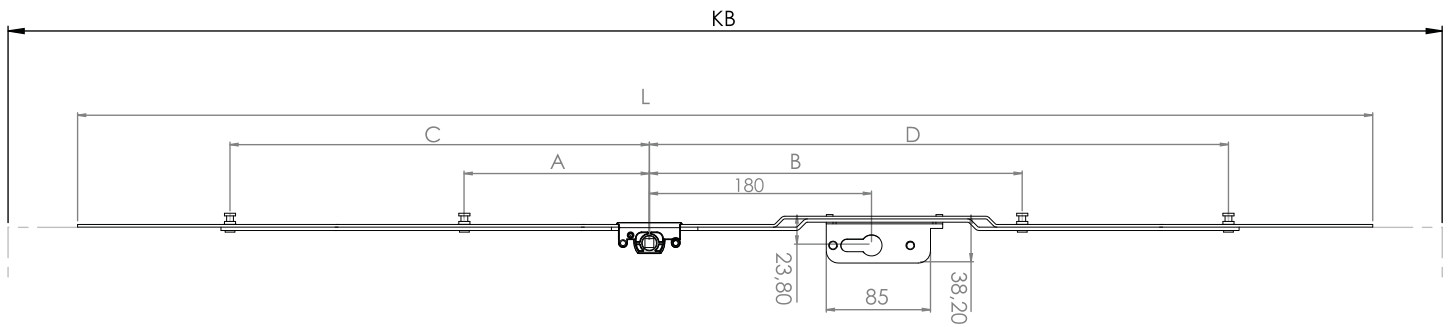


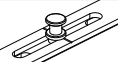
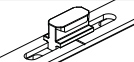


|  |  | KB | L | A | B | C | D |  |  | Qty.  | Kg |
|---|---|-------------|------|-----|-----|-----|-----|---|---|--|-------|
| 00.BSI202.01.00 | 00.BSI203.01.00 | 300 - 400 | 300 | 93 | 93 | - | - | 4 | 2 | 20 | 3,08 |
| 00.BSI202.02.00 | 00.BSI203.02.00 | 400 - 600 | 400 | 143 | 143 | - | - | 4 | 2 | 20 | 4,05 |
| 00.BSI202.03.00 | 00.BSI203.03.00 | 600 - 800 | 600 | 179 | 179 | - | - | 6 | 2 | 20 | 5,70 |
| 00.BSI202.04.00 | 00.BSI203.04.00 | 800 - 1000 | 800 | 279 | 279 | - | - | 6 | 2 | 20 | 7,52 |
| 00.BSI202.05.00 | 00.BSI203.05.00 | 1000 - 1200 | 1000 | 98 | - | 379 | 379 | 9 | 3 | 20 | 8,60 |
| 00.BSI202.06.00 | 00.BSI203.06.00 | 1200 - 1400 | 1200 | 98 | - | 479 | 479 | 9 | 3 | 20 | 10,56 |
| 00.BSI202.07.00 | 00.BSI203.07.00 | 1400 - 1600 | 1400 | 98 | - | 579 | 579 | 9 | 3 | 20 | 12,75 |
| 00.BSI202.08.00 | 00.BSI203.08.00 | 1600 - 1800 | 1600 | 248 | 248 | 679 | 679 | 11 | 4 | 20 | 14,40 |
| 00.BSI202.09.00 | 00.BSI203.09.00 | 1800 - 2000 | 1800 | 281 | 281 | 779 | 779 | 11 | 4 | 20 | 16,10 |
| 00.BSI202.10.00 | 00.BSI203.10.00 | 2000 - 2200 | 2000 | 316 | 316 | 879 | 879 | 14 | 4 | 20 | 18,3 |

Turn - Only Systems

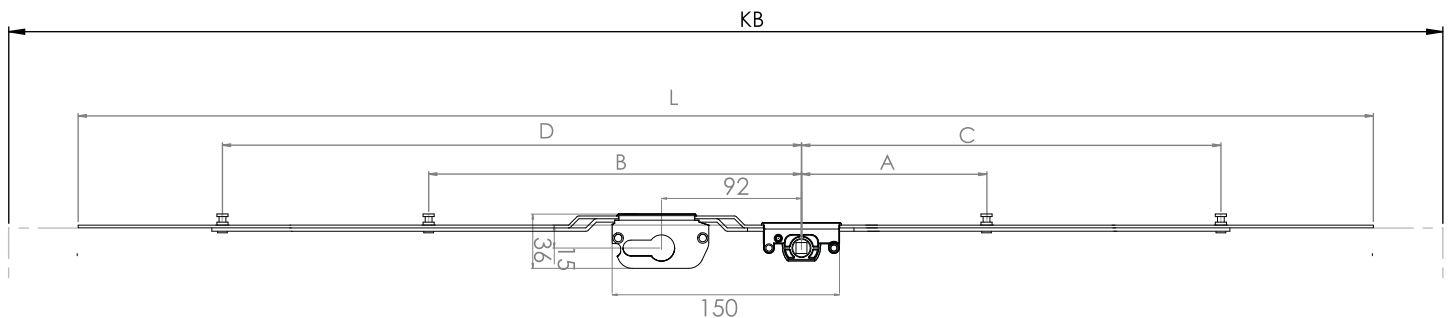
● Espagnolettes

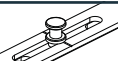


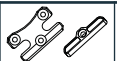
● 15 mm Backset Zinc Lock Case Sliding Espagnolettes



|  |  | KB | L | A | B | C | D |  |  | Qty. | Kg |
|---|---|-------------|------|-----|-----|-----|-----|---|---|------|----|
| 00.BSI222.08.00 | 00.BSI223.08.00 | 1600 - 1800 | 1600 | 248 | 341 | 679 | 679 | 11 | 4 | 20 | - |
| 00.BSI222.09.00 | 00.BSI223.09.00 | 1800 - 2000 | 1800 | 281 | 341 | 779 | 779 | 11 | 4 | 20 | - |
| 00.BSI222.10.00 | 00.BSI223.10.00 | 2000 - 2200 | 2000 | 316 | 341 | 879 | 879 | 14 | 4 | 20 | - |

● 7,5 mm Backset Zinc Lock Case Sliding Espagnolettes



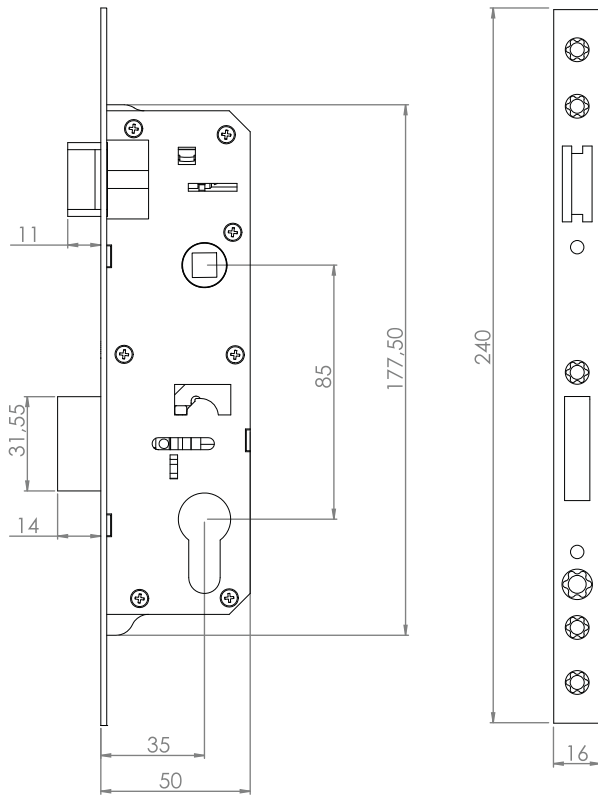
|  |  | KB | L | A | B | C | D |  |  | Qty. | Kg |
|---|---|-------------|------|-----|-----|-----|-----|---|---|------|----|
| 00.BSI224.08.00 | 00.BSI225.08.00 | 1600 - 1800 | 1600 | 248 | 341 | 679 | 679 | 11 | 4 | 20 | - |
| 00.BSI224.09.00 | 00.BSI225.09.00 | 1800 - 2000 | 1800 | 281 | 341 | 779 | 779 | 11 | 4 | 20 | - |
| 00.BSI224.10.00 | 00.BSI225.10.00 | 2000 - 2200 | 2000 | 316 | 341 | 879 | 879 | 14 | 4 | 20 | - |





Mortice Locks

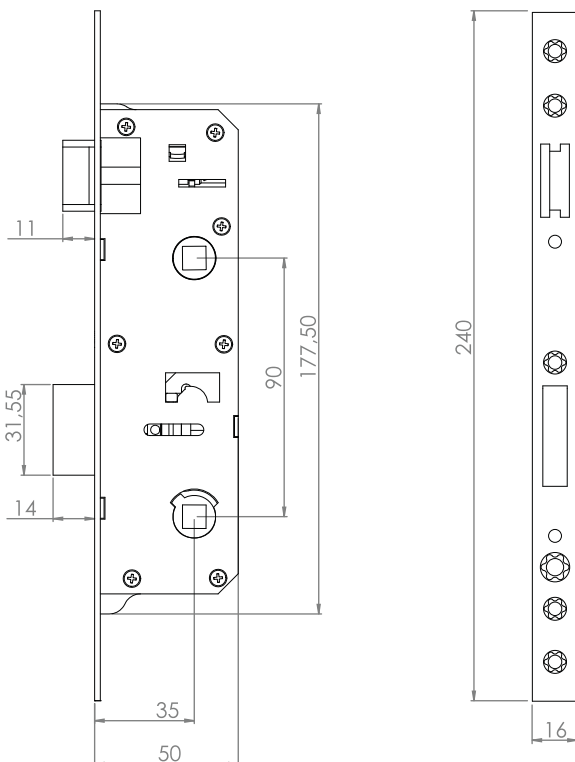
- Plastic Lock Case - Metal Cover Locks



- PZ: 85 mm Backset: 35 mm (Cylindrical)



|  | Qty.  | Kg |
|--|--|-------|
| 01.KIL001.00.00 | 40 | 11,05 |



- PZ: 90 mm Backset: 35 mm (WC / Bathroom)

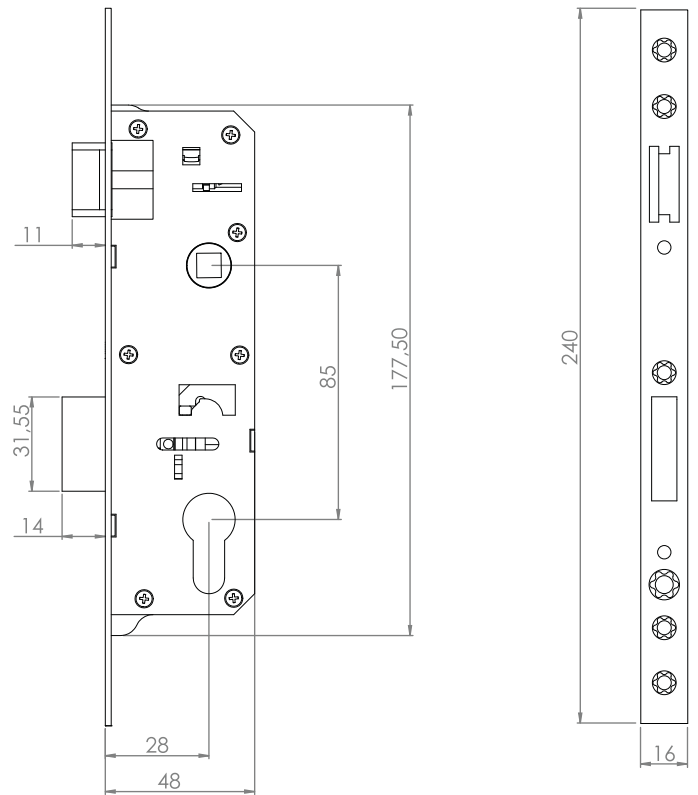


|  | Qty.  | Kg |
|--|--|-------|
| 01.KIL002.00.00 | 40 | 11,70 |



Plastic Lock Case - Metal Cover Locks ●

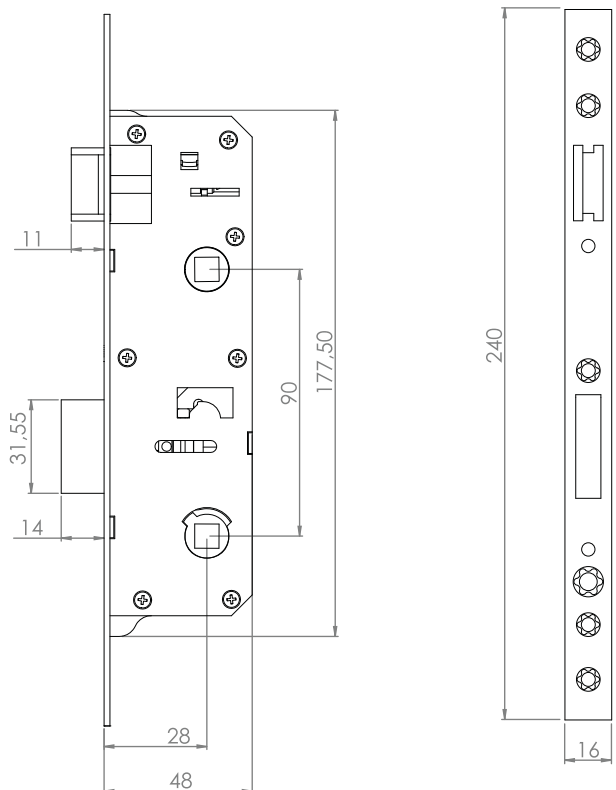
PZ: 85 mm Backset: 28 mm (Cylindrical) ●

|  | Qty.  | Kg |
|---|--|-------|
| 01.KIL004.00.00 | 40 | 13,00 |



PZ: 90 mm Backset: 28 mm (WC / Bathroom) ●

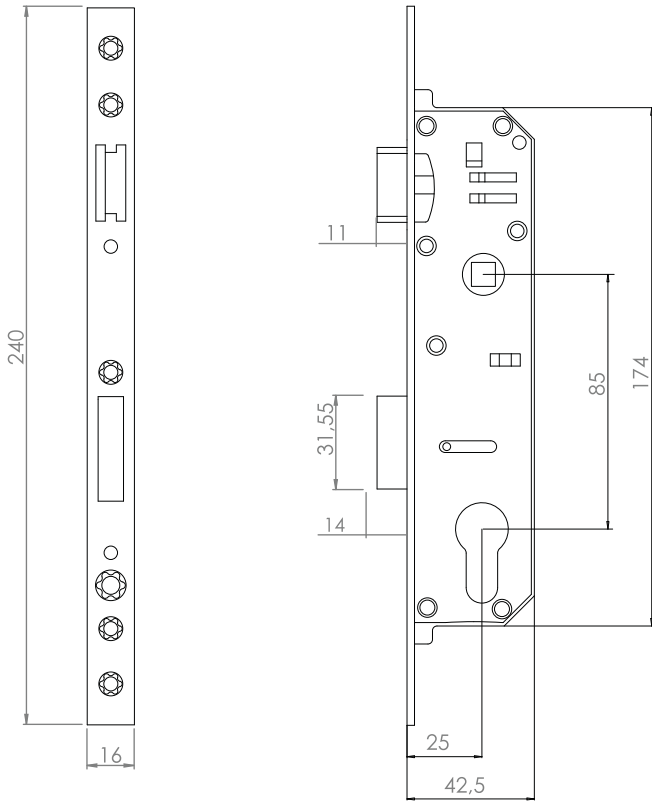
|  | Qty.  | Kg |
|---|--|-------|
| 01.KIL005.00.00 | 40 | 12,98 |





Mortice Locks

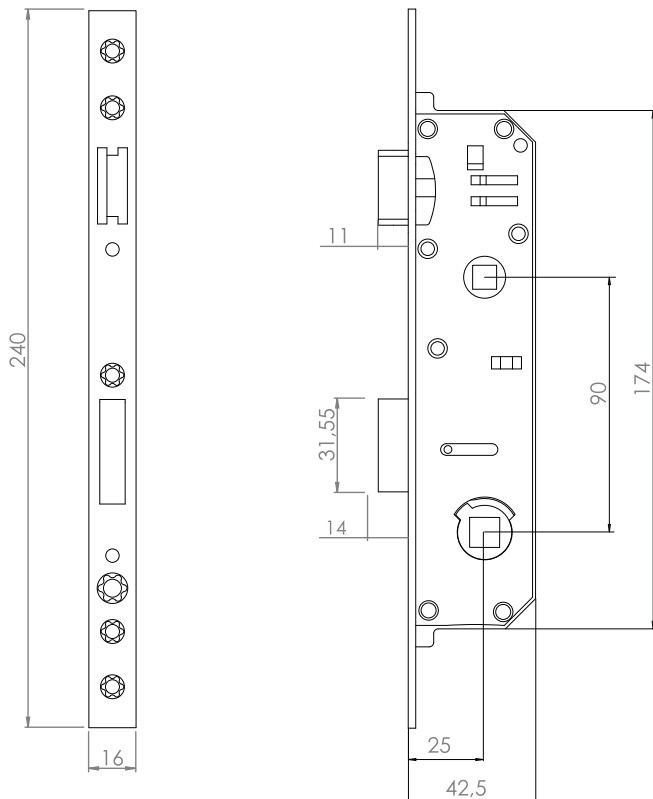
- Plastic Lock Case - Metal Cover Locks



- PZ: 85 mm Backset: 25 mm (Cylindrical)



|  | Qty.  | Kg |
|---|--|-------|
| 01.KIL008.00.00 | 40 | 10,67 |



- PZ: 90 mm Backset: 25 mm (WC / Bathroom)

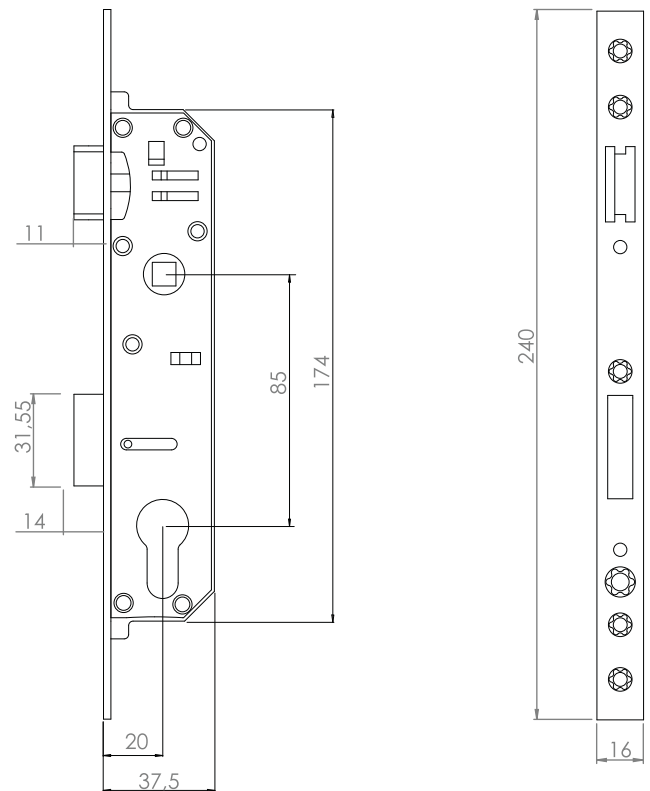


|  | Qty.  | Kg |
|---|--|-------|
| 01.KIL016.00.00 | 40 | 10,50 |



Plastic Lock Case - Metal Cover Locks

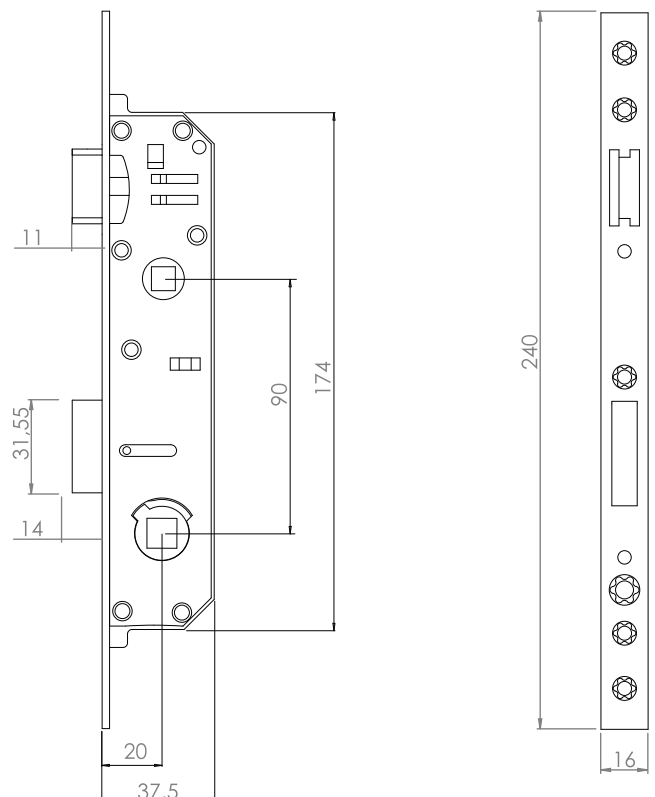
PZ: 85 mm Backset: 20 mm (Cylindrical) ●

|  | Qty.  | Kg |
|---|--|-------|
| 01.KIL007.00.00 | 40 | 10,15 |



PZ: 90 mm Backset: 20 mm (WC / Bathroom) ●

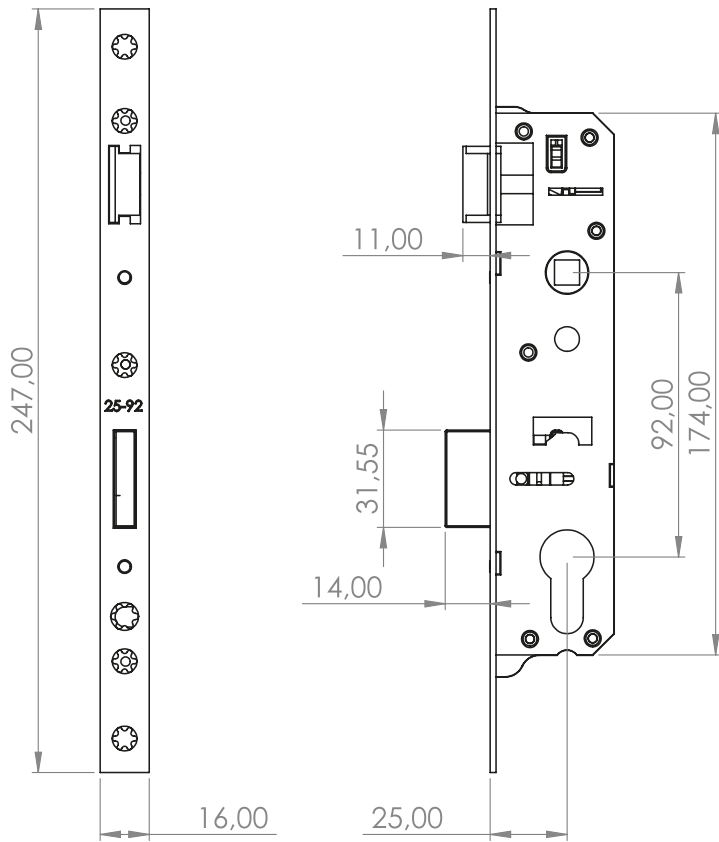
|  | Qty.  | Kg |
|---|--|------|
| 01.KIL015.00.00 | 40 | 10,5 |





Mortice Locks

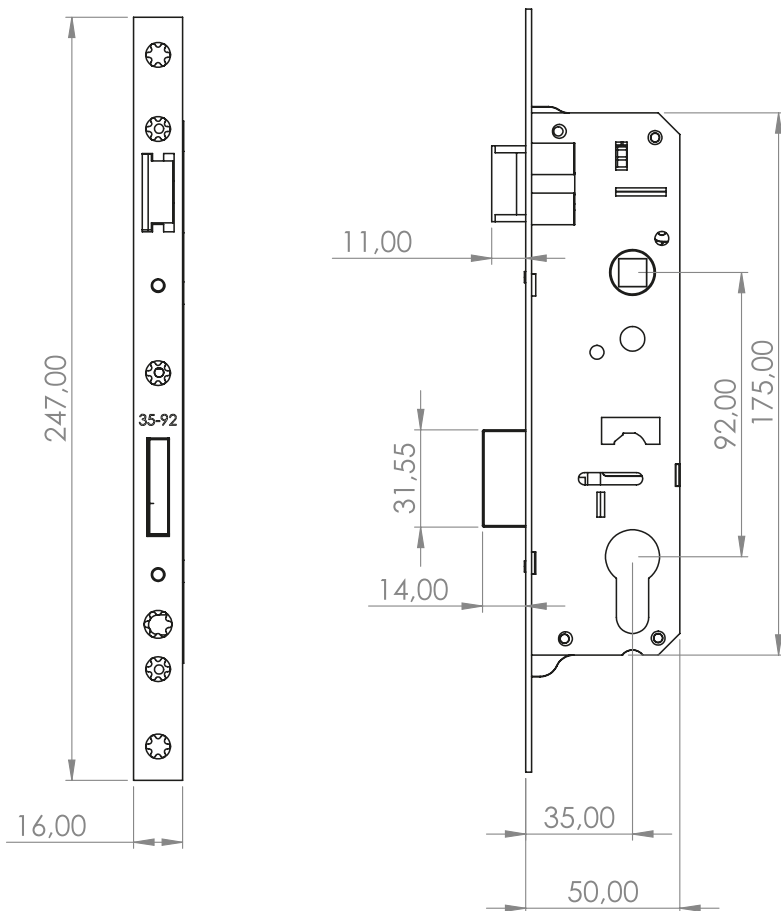
- Plastic Lock Case - Metal Cover Locks



- PZ: 92 mm Backset: 25mm



|  | Qty.  | Kg |
|---|--|----|
| 01.KILO40.00.00 | 40 | - |



- PZ: 92 mm Backset: 35mm

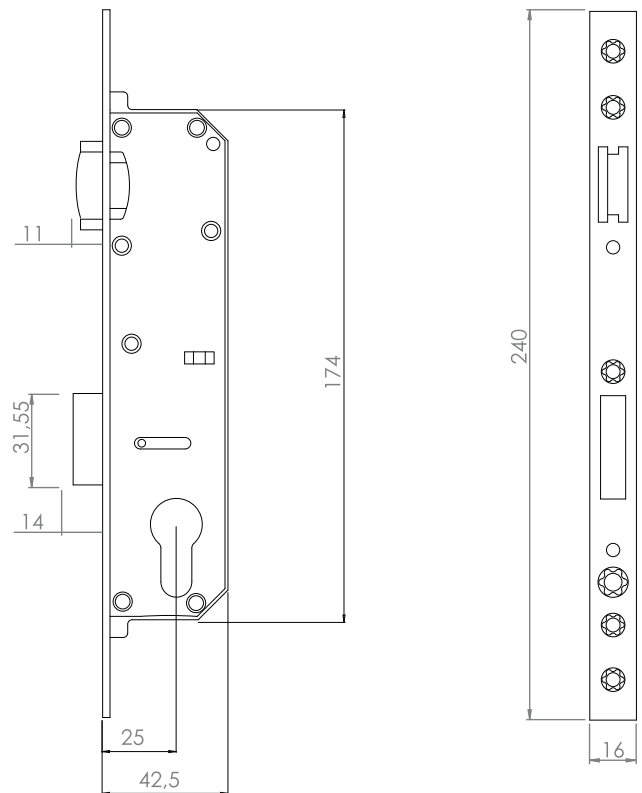


|  | Qty.  | Kg |
|---|--|----|
| 01.KILO45.00.00 | 40 | - |



Plastic Lock Case - Metal Cover Locks

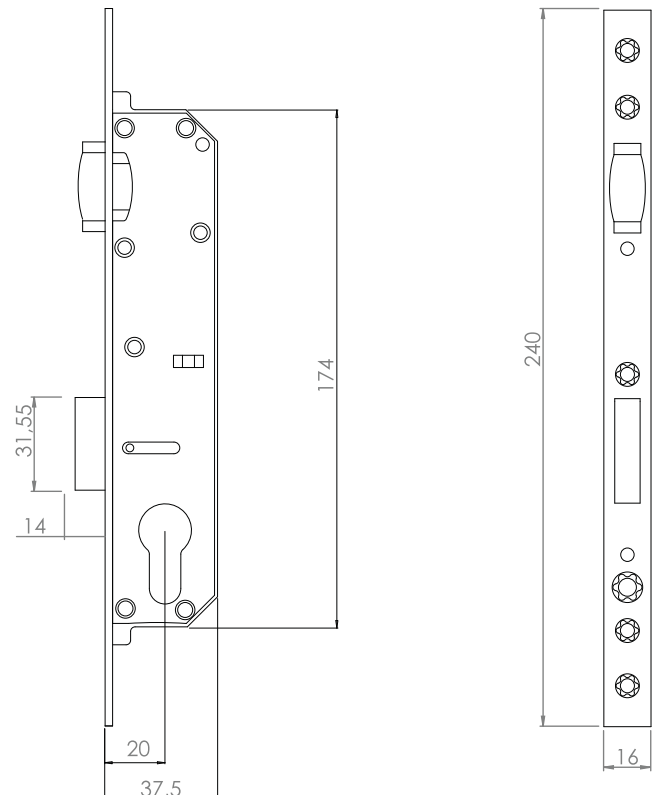
Backset: 25 mm (Roller Latch)

|  | Qty.  | Kg |
|---|--|-------|
| 01.KIL010.00.00 | 40 | 11,55 |



Backset: 20 mm (Roller Latch)

|  | Qty.  | Kg |
|---|--|-------|
| 01.KIL009.00.00 | 40 | 10,85 |

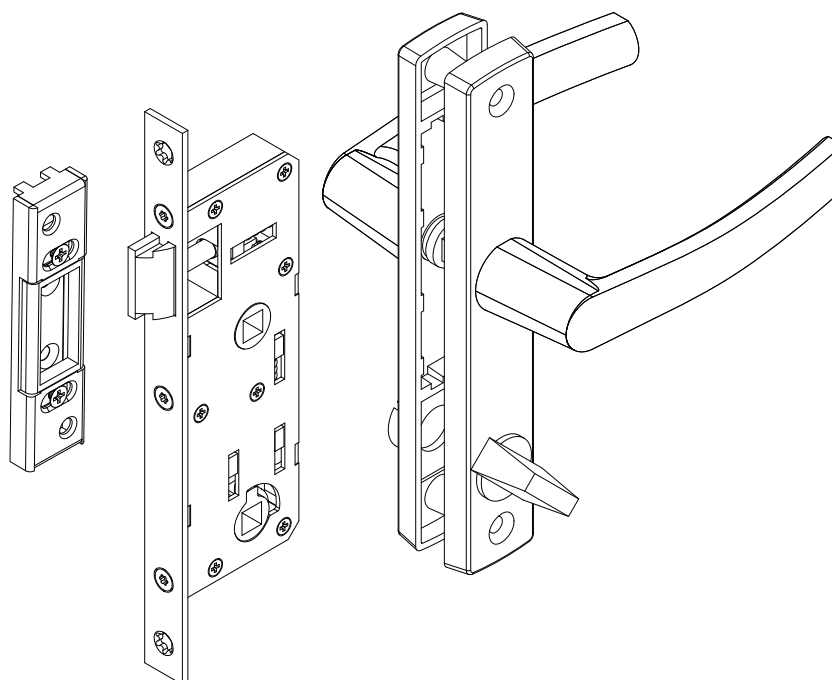
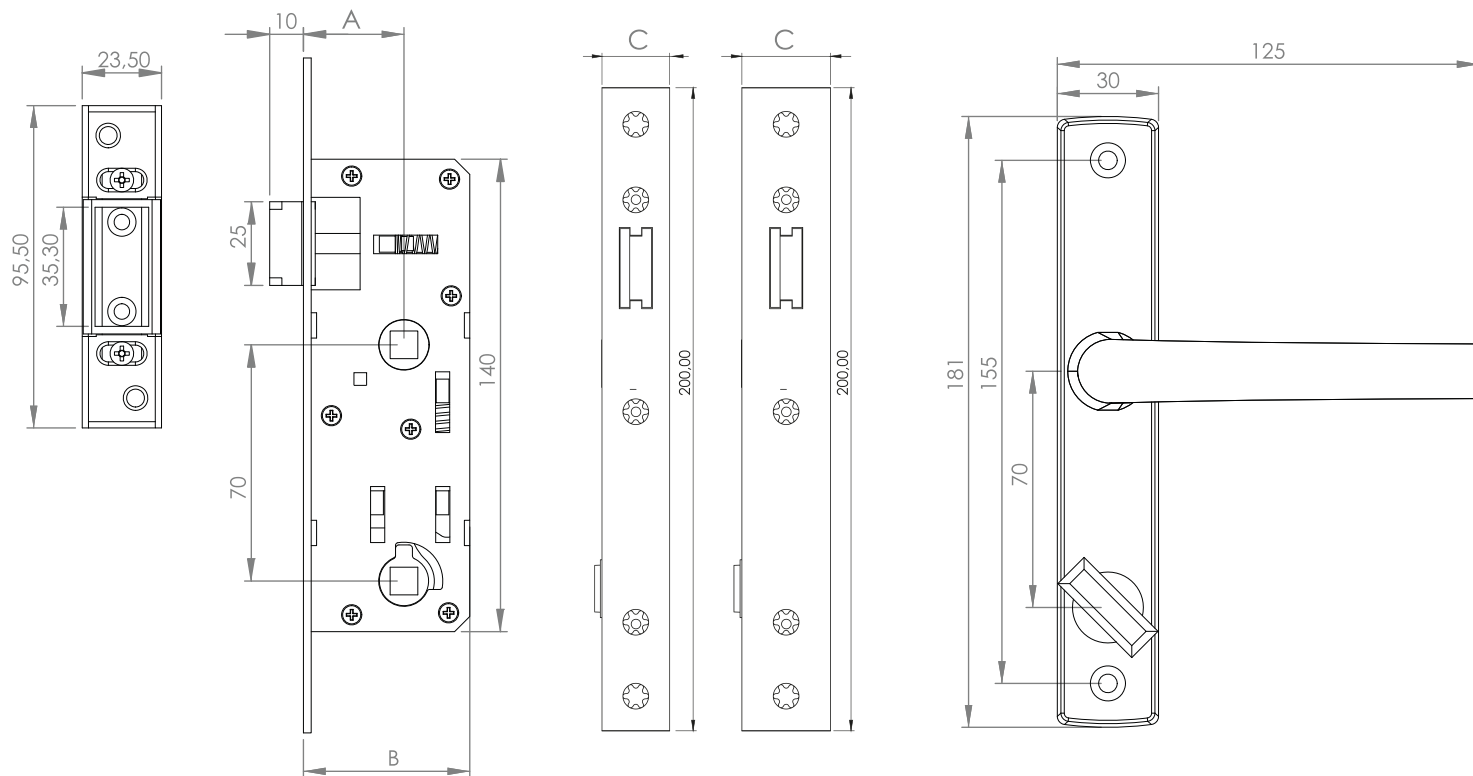




Mortice Locks

- Mini Lock Set



● PZ: 70 mm Backset: 30 / 25 mm



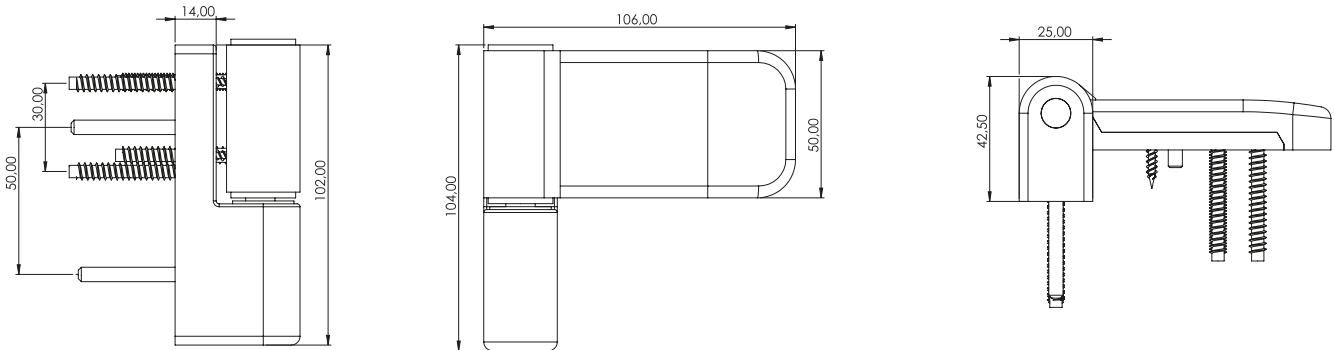
|  | A | B | C | Qty.  | Kg |
|---|----|-------|----|--|-------|
| 01.MIN004.00.01 | 25 | 49,30 | 16 | 20 | 14,85 |
| 01.MIN003.00.01 | 30 | 44,30 | 16 | 20 | 14,85 |
| 01.MIN006.00.01 | 25 | 49,30 | 23 | 20 | 14,85 |
| 01.MIN005.00.01 | 30 | 44,30 | 23 | 20 | 14,85 |

Hinges For uPVC

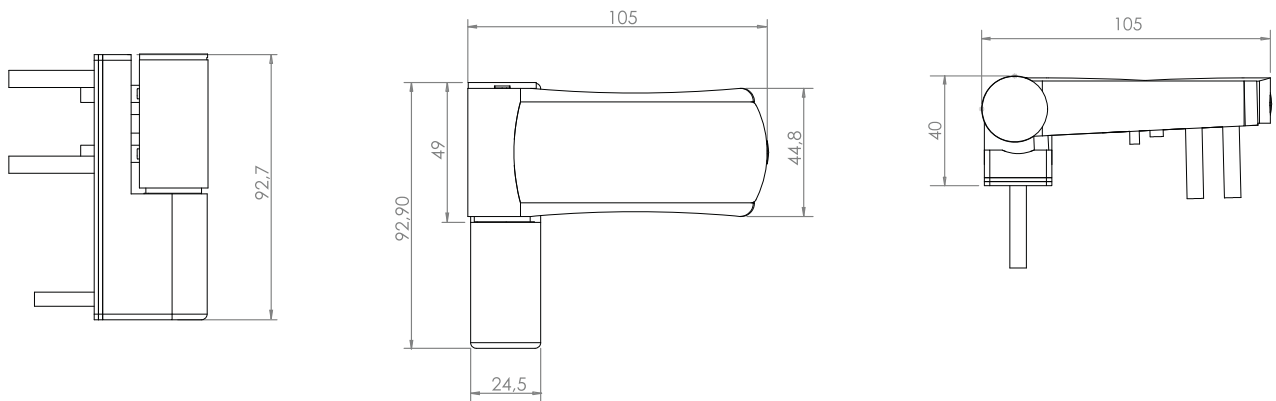
- Zinc 3D Adjustable Door Hinge



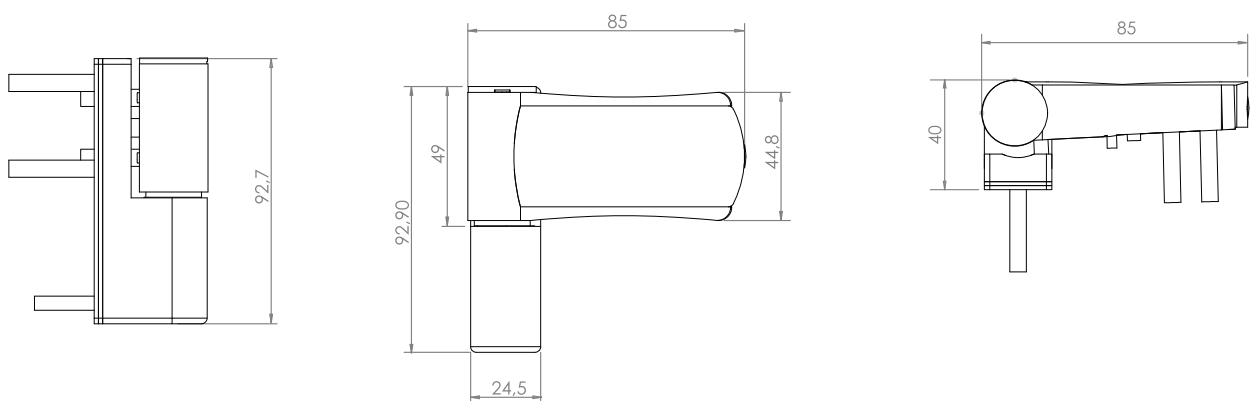
3D Adjustable Door Hinge 160 Kg ●



Aluminium 3D Adjustable Door Hinge ●



Junior Aluminium 3D Adjustable Door Hinge ●

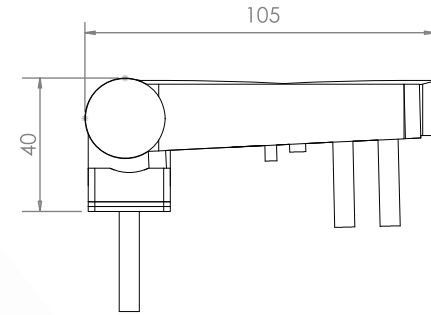





Hinges For uPVC

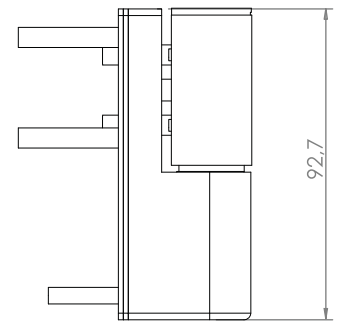
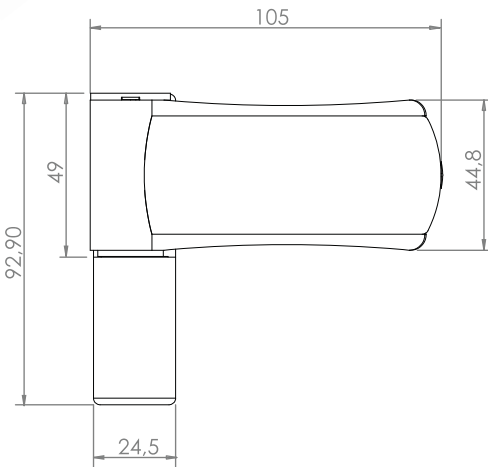
● 3D Adjustable Door Hinges



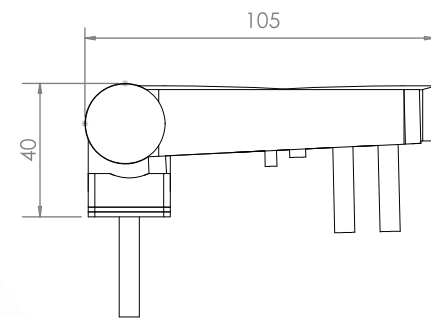
● Zinc 3D Adjustable Door Hinge




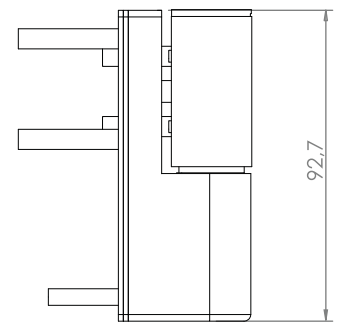
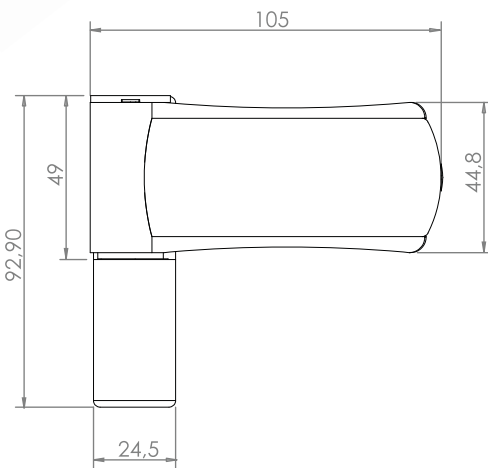
| |  |  |  | Kg |
|-----------------|---|---|---|-----------|
| | | Qty. | | |
| 01.AKM110.00.01 | 8 | 24 | | 15,6 |



● Aluminium 3D Adjustable Door Hinge

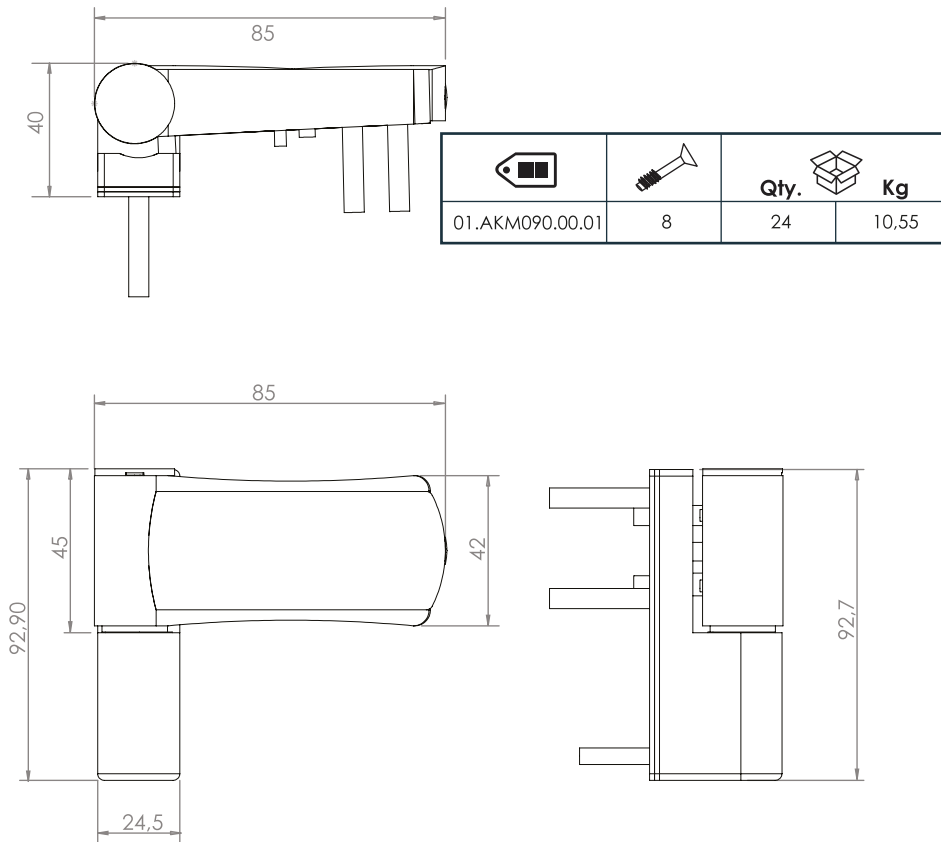


| |  |  |  | Kg |
|-----------------|---|---|---|-----------|
| | | Qty. | | |
| 01.AKM111.00.01 | 8 | 24 | | 10,5 |

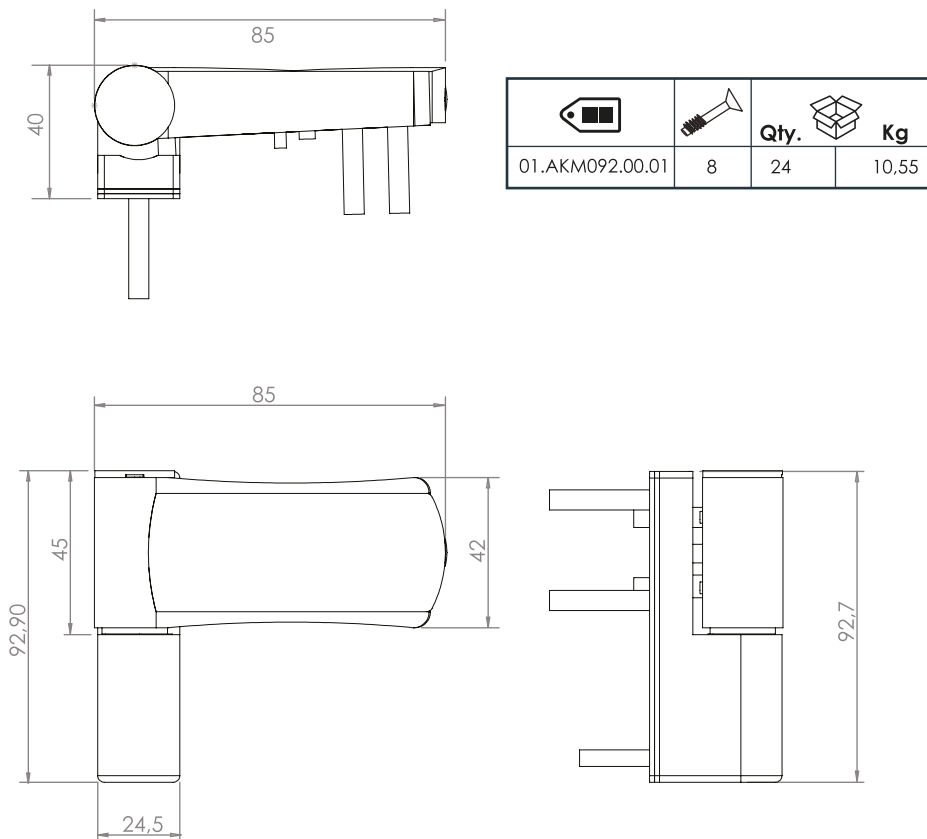


3D Adjustable Door Hinges ●

Junior Zinc 3D Adjustable Door Hinge ●



Junior Aluminium 3D Adjustable Door Hinge ●

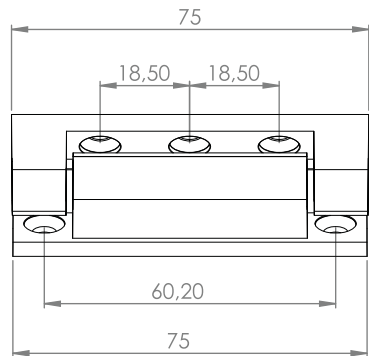
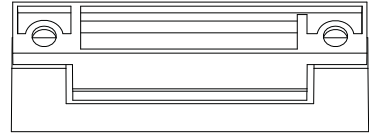
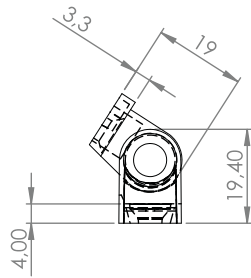


Hinges For uPVC

● Window And Door Hinges



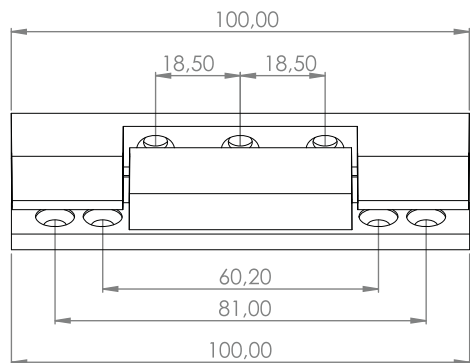
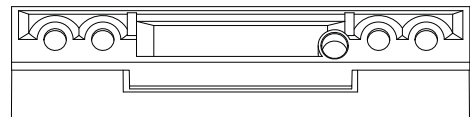
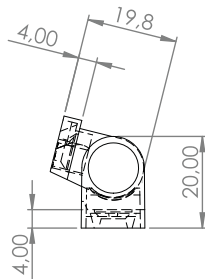
● Zinc Window Hinge 75 mm



| | | Qty. | Kg |
|-----------------|---|------|-------|
| 00.MNZ075.02.01 | 5 | 150 | 12.82 |

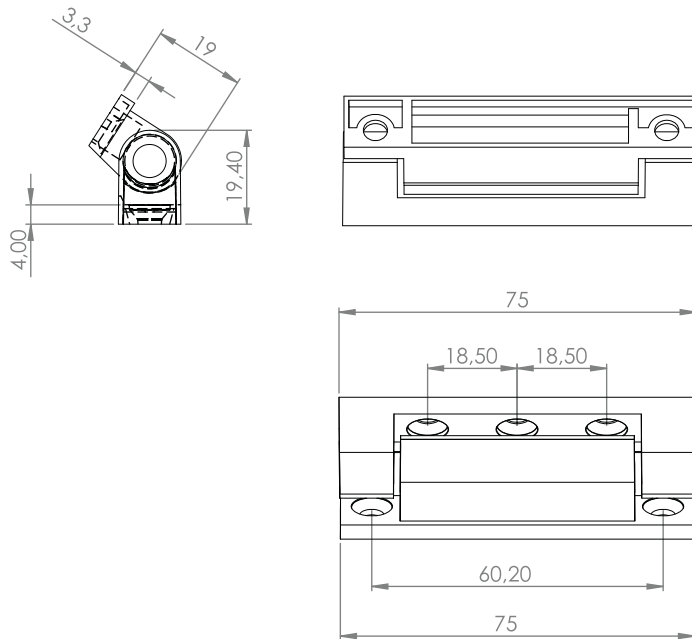


● Zinc Door Hinge 100 mm



| | | Qty. | Kg |
|-----------------|---|------|------|
| 00.MNZ100.00.01 | 7 | 150 | 17.7 |

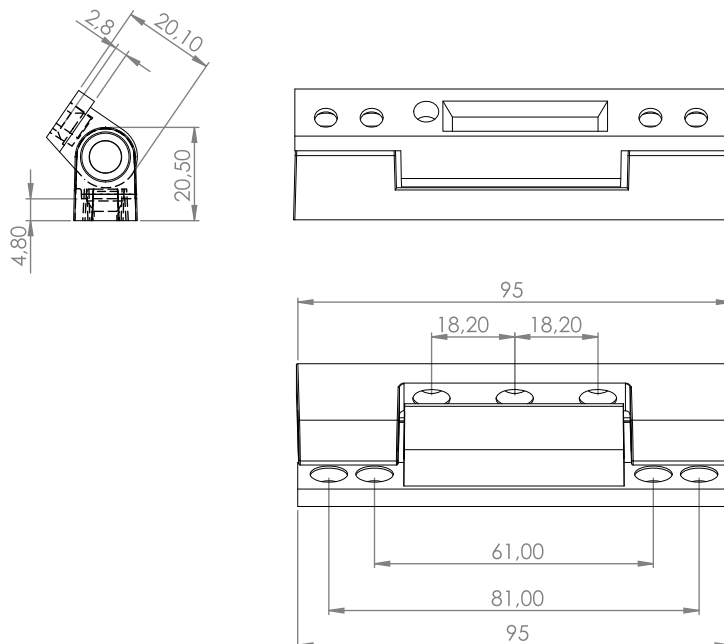
Aluminium Window Hinge 75 mm





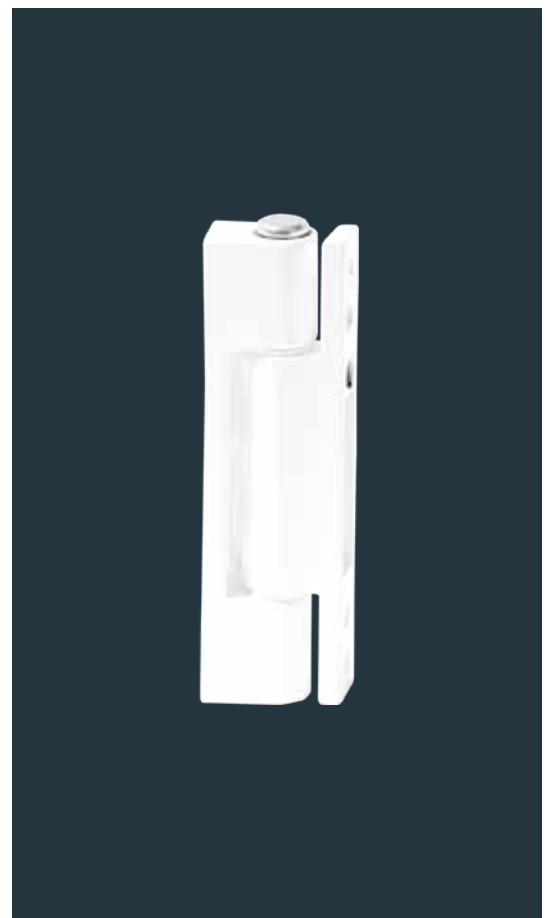
|  |  |  | Qty. | Kg |
|---|---|---|-------------|-----------|
| 00.MNA075.00.01 | 5 | 200 | 11,20 | |



Aluminium Door Hinge 95 mm



|  |  |  | Qty. | Kg |
|---|---|---|-------------|-----------|
| 00.MNA095.00.01 | 7 | 200 | 15,36 | |

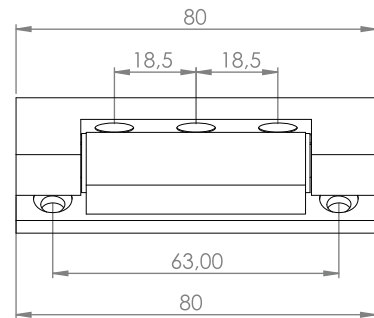
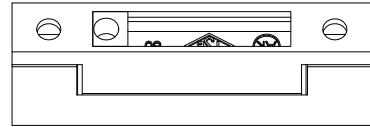
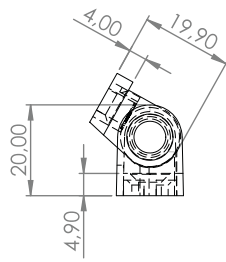


Hinges For uPVC

Window And Door Hinges



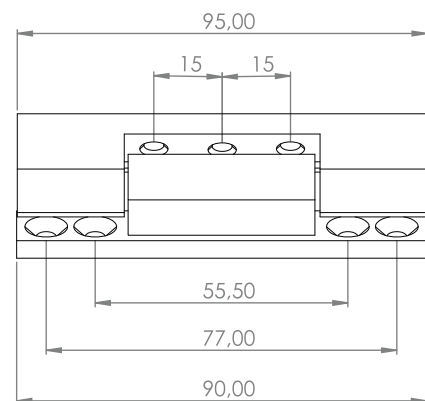
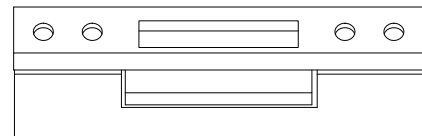
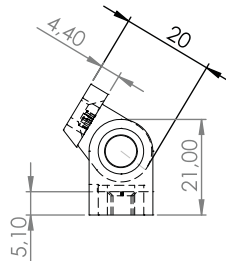
● Zinc Window Hinge 80 mm



| | | | Qty. | Kg |
|-----------------|---|-----|-------|----|
| 00.MNZ080.00.01 | 5 | 150 | 15.22 | |

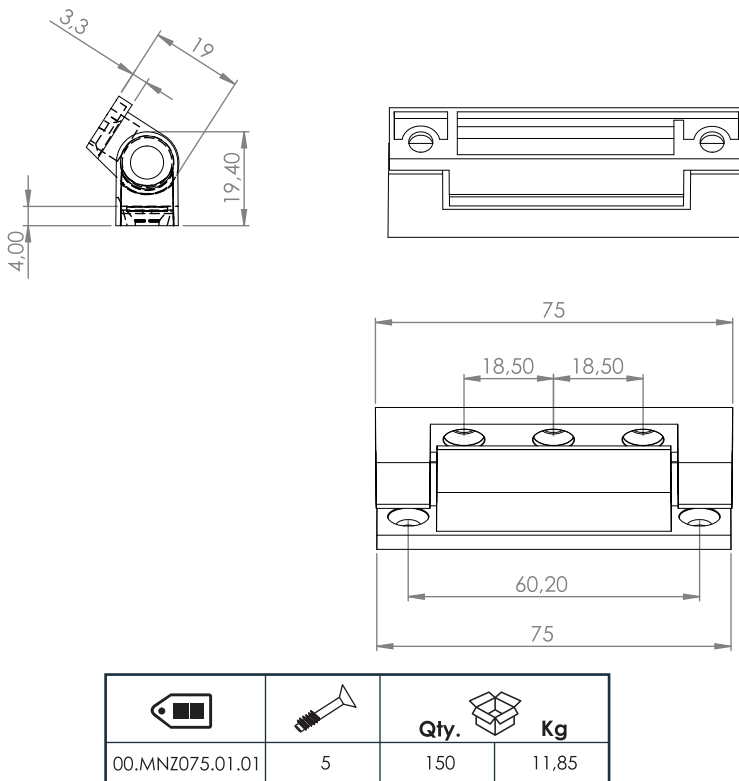


● Zinc Door Hinge 95 mm

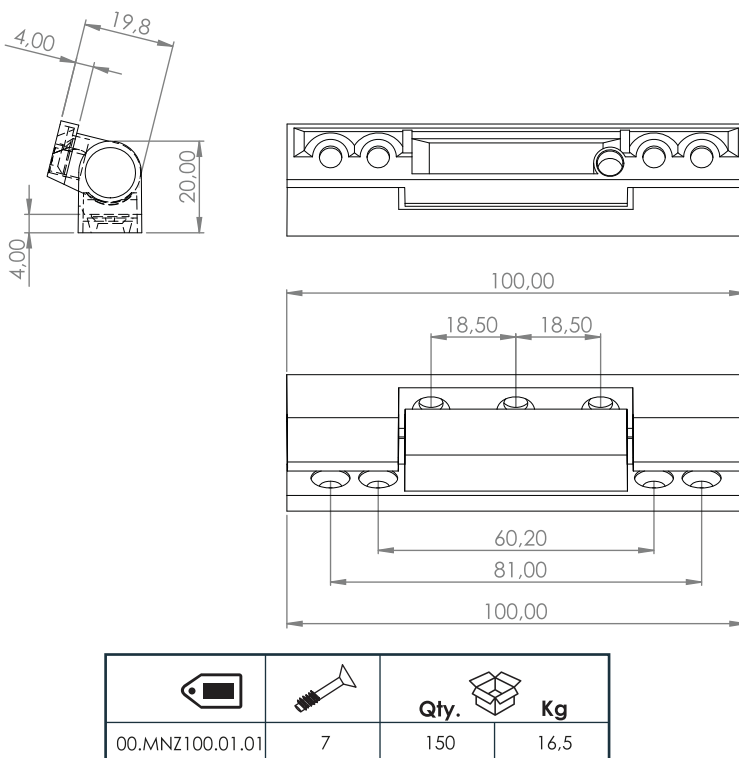


| | | | Qty. | Kg |
|-----------------|---|-----|-------|----|
| 00.MNZ095.00.01 | 7 | 150 | 17.75 | |

Zinc Window Hinge 75 mm / Economic ●



Zinc Door Hinge 100 mm / Economic ●

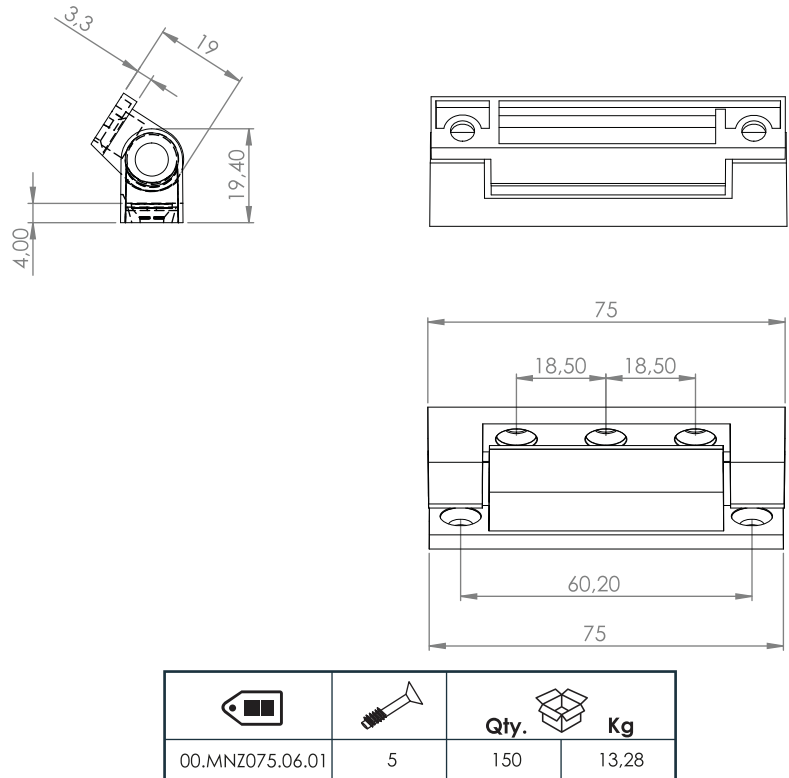


Hinges For uPVC

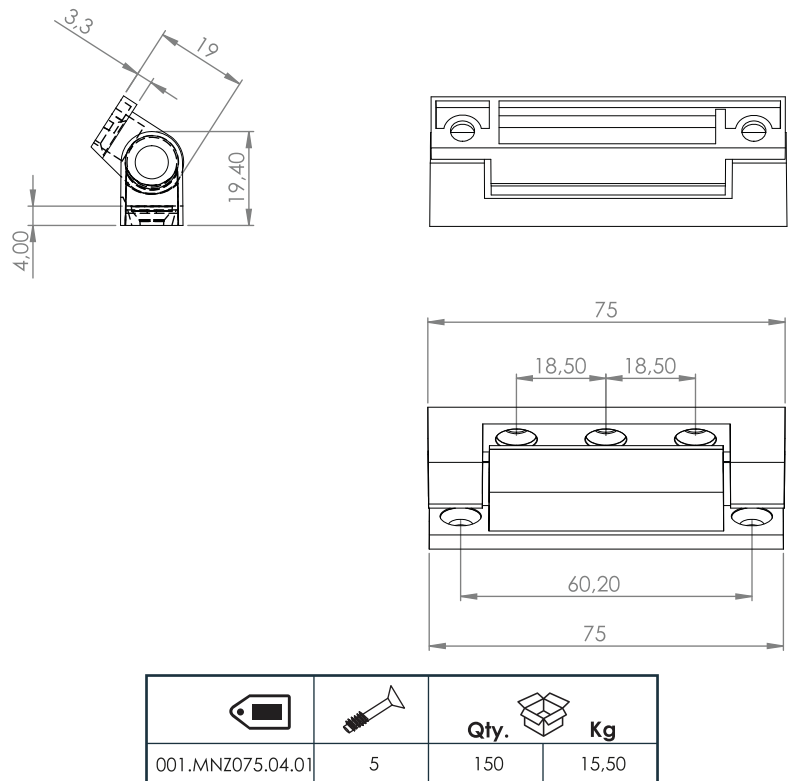
Window And Door Hinges



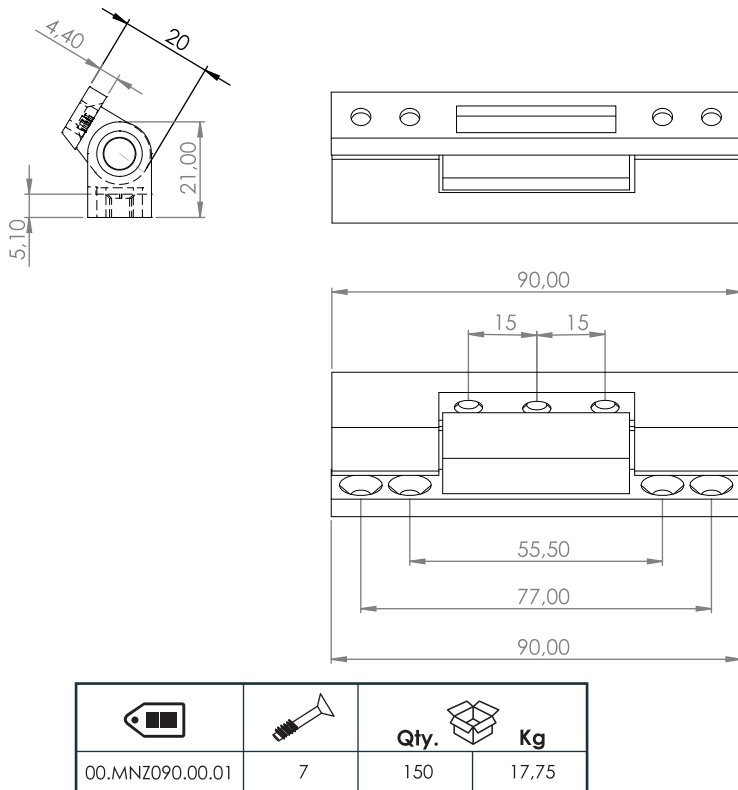
● Zinc Window Hinge 75 mm For Adopen Marmara



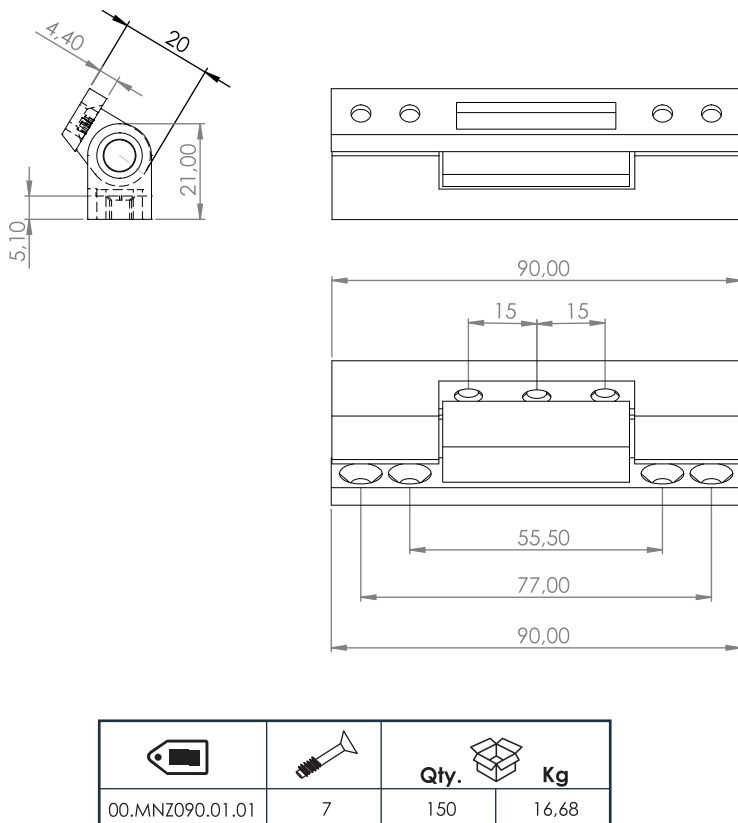
● Zinc Window Hinge 75 mm For Egepen



Zinc Door Hinge 90 mm For Firatpen



Zinc Door Hinge 90 mm For Adopen Marmara

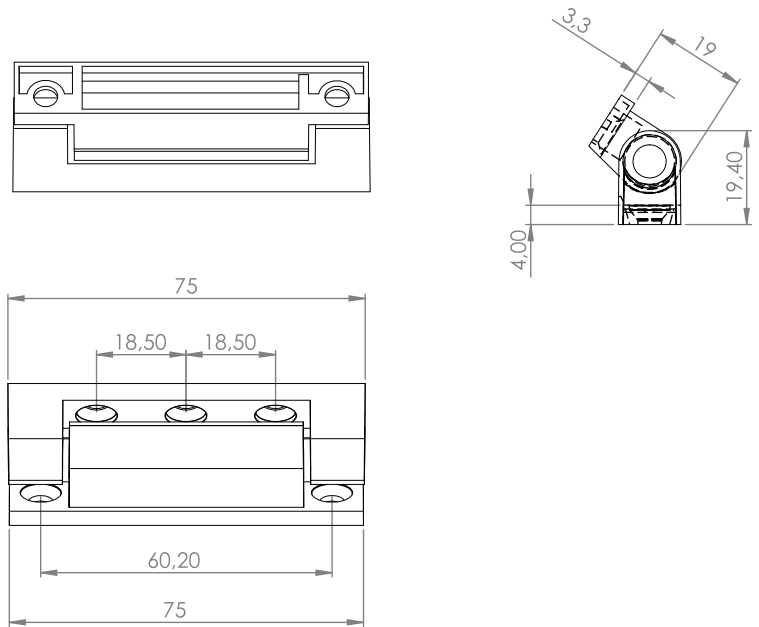


Hinges For uPVC

Window And Door Hinges



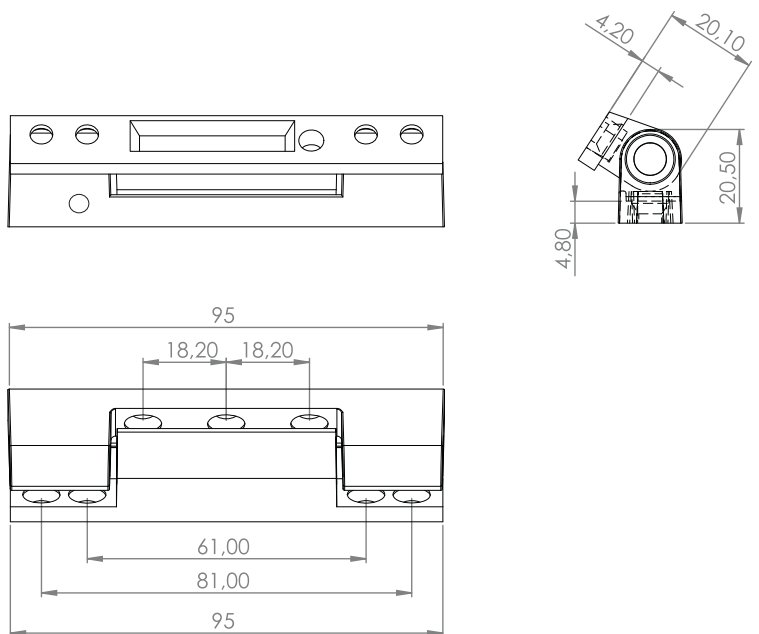
● Zinc Window Hinge 75 mm For Egepen Max / Adopen Atlantik



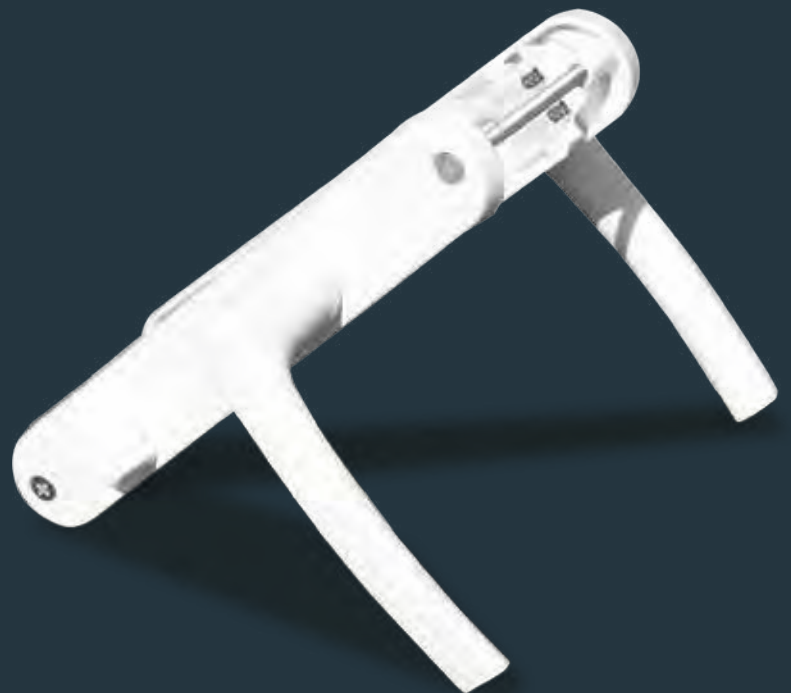
| | | Qty. | Kg |
|-----------------|---|------|-------|
| 00.MNZ075.05.01 | 5 | 150 | 14,40 |

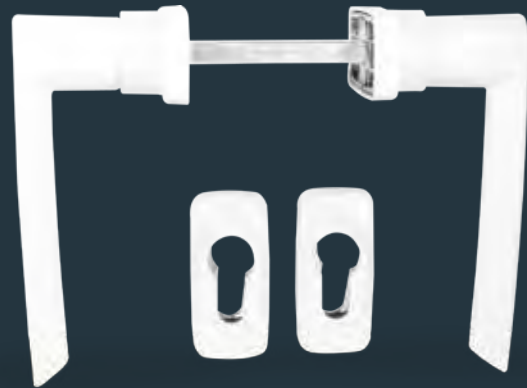
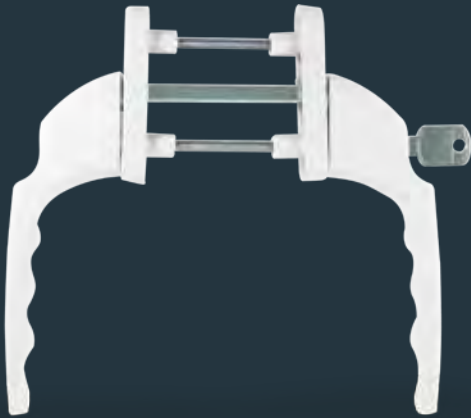


● Zinc Door Hinge 95 mm Outward Opening



| | | Qty. | Kg |
|-----------------|---|------|-------|
| 00.MNZ095.01.01 | 7 | 150 | 20,22 |



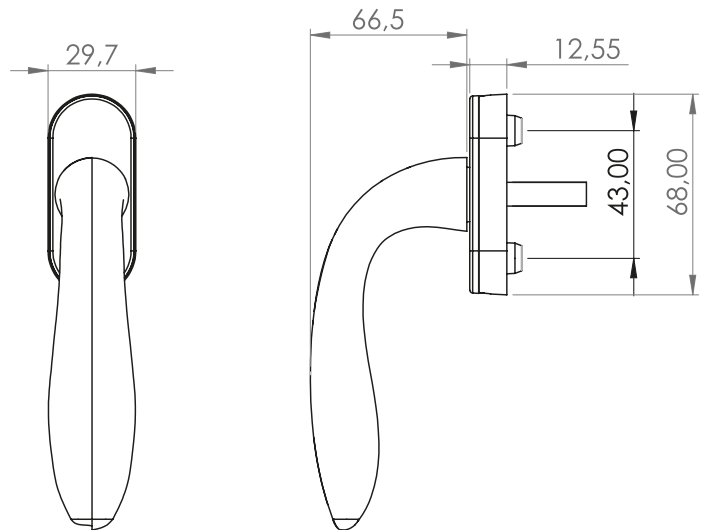




Handles For uPVC




- Ada Window And Door Handles



- Ada Acoustic Aluminium Window Handle

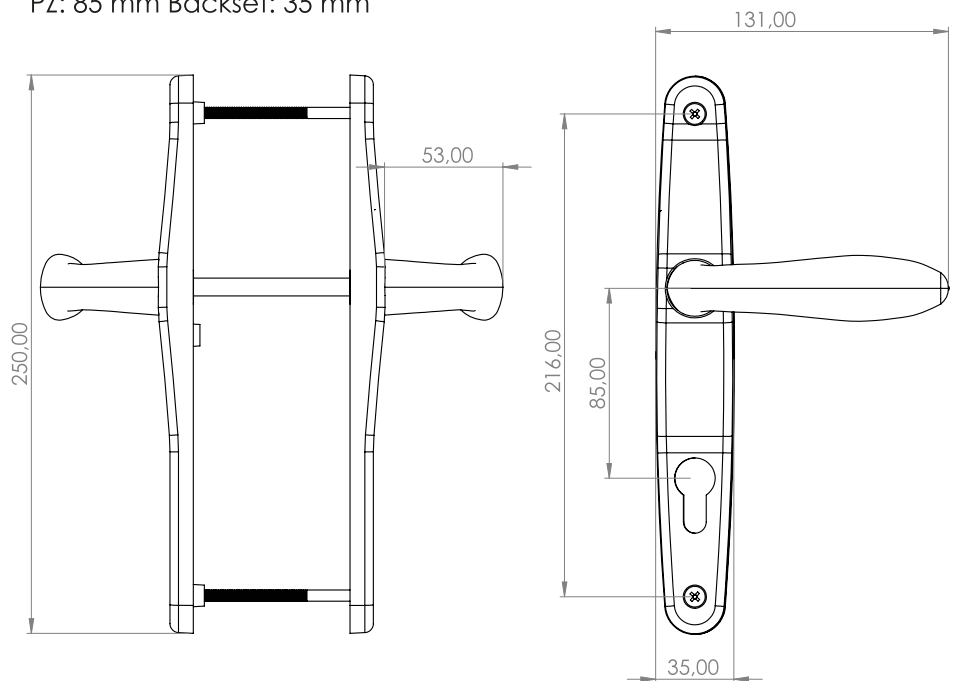



| LENGHTS (MM) | |
|--|---|
|  |  |
| 45 | 65 |

|  |  | Qty.  | Kg |
|---|--|--|----|
| 00.APK020.01.01 | 2 | 90 | - |

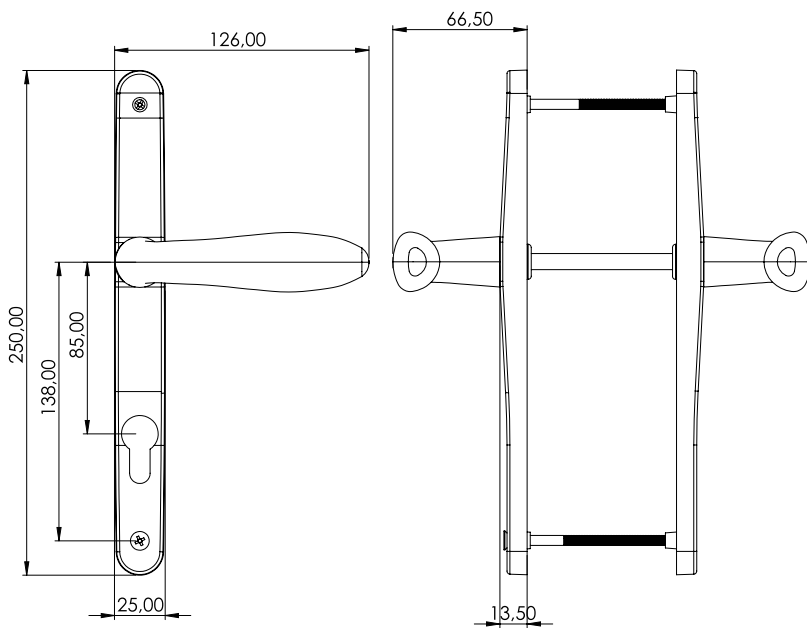


- Ada Aluminium Door Handle
PZ: 85 mm Backset: 35 mm



|  |  | Qty.  | Kg |
|---|---|--|----|
| 00.AKK071.00.01 | 2 | 30 | - |

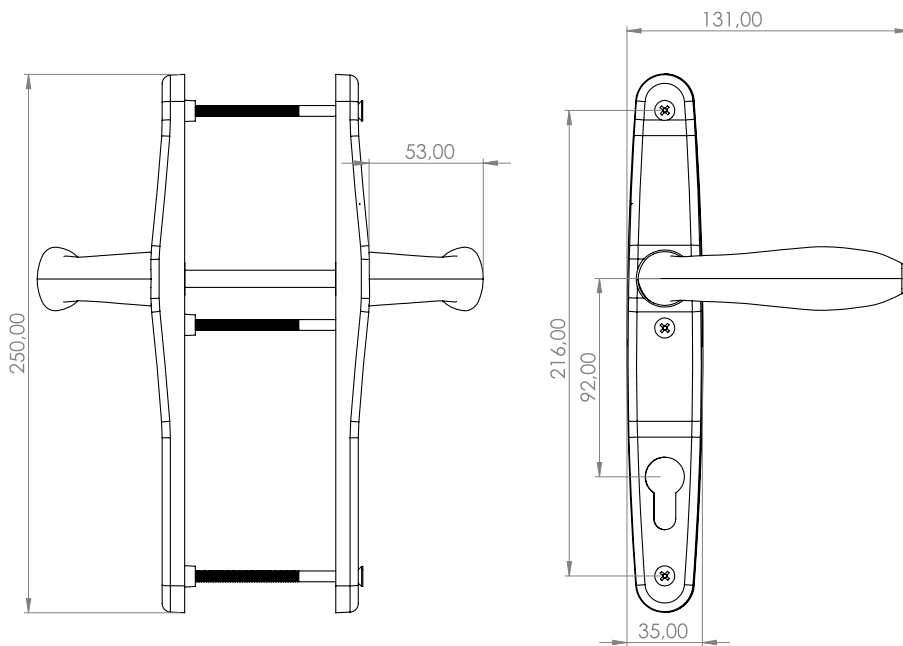
Ada Aluminium Door Handle ●
PZ: 85 mm Backset: 25 mm



|  |  | Qty.  | Kg |
|---|---|--|----|
| 00.AKK091.00.01 | 2 | 30 | - |



Ada Aluminium Door Handle ●
PZ: 92 mm Backset: 35 mm

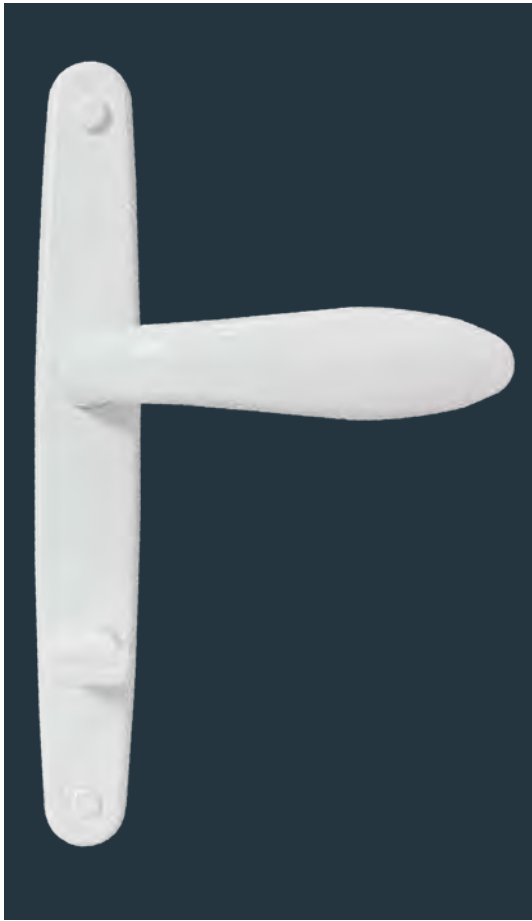


|  |  | Qty.  | Kg |
|---|---|--|----|
| 00.AKK072.00.01 | 3 | 30 | - |

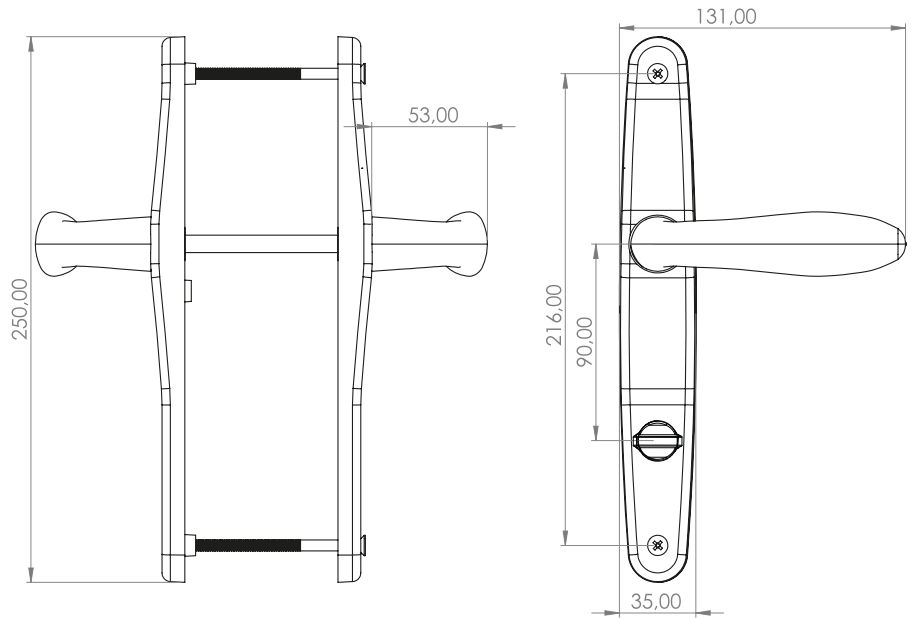






Handles For uPVC

- Ada Window And Door Handles

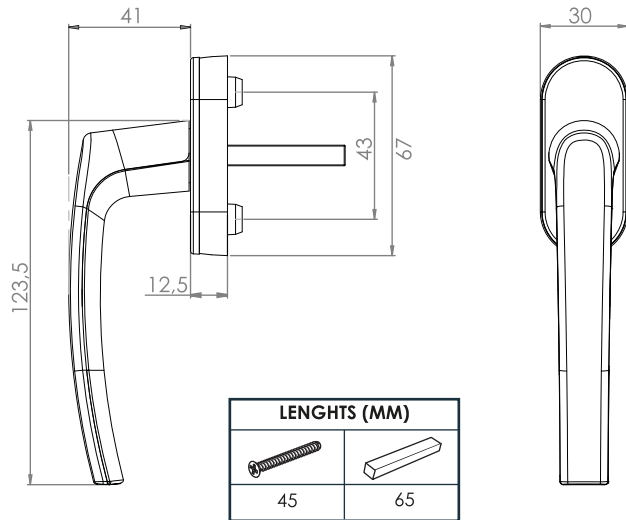



- Ada Aluminium WC Handle
PZ: 90 mm Backset: 35 mm

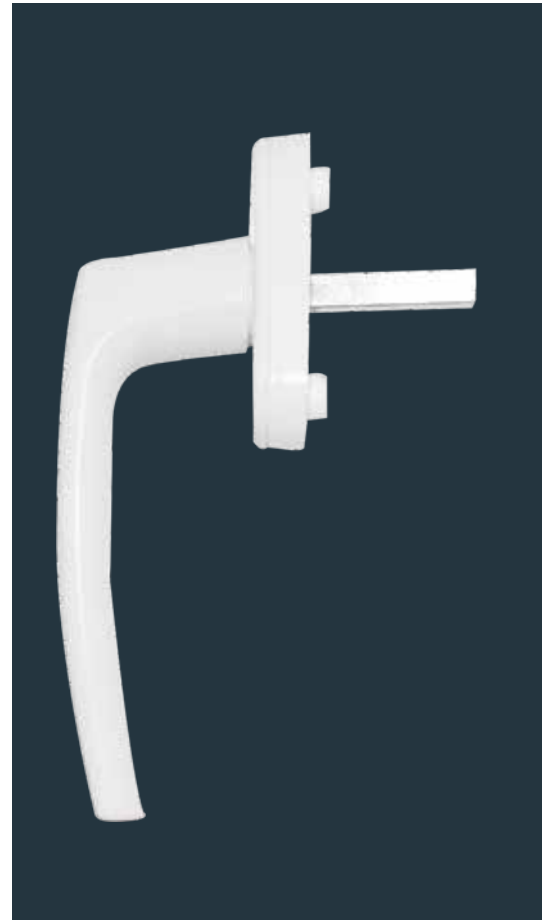


|  |  |  |  |
|---|---|---|---|
| | Qty. | | |
| 00.AKK073.00.01 | 2 | 30 | - |

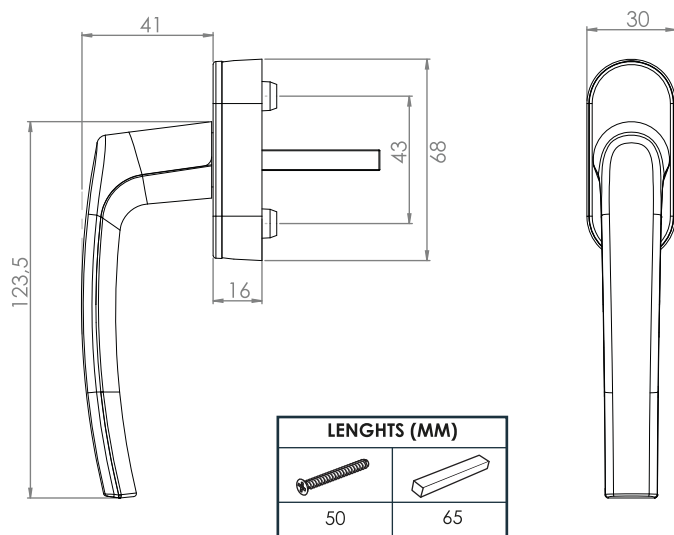
Mesut Aluminium Window Handle






|  |  | Qty.  | Kg |
|---|---|--|-------|
| 01.APK006.01.01 | 2 | 100 | 14,05 |



Mesut Max Aluminium Acoustic Window Handle



|  |  | Qty.  | Kg |
|---|---|--|-------|
| 01.APK018.01.01 | 2 | 100 | 16,25 |

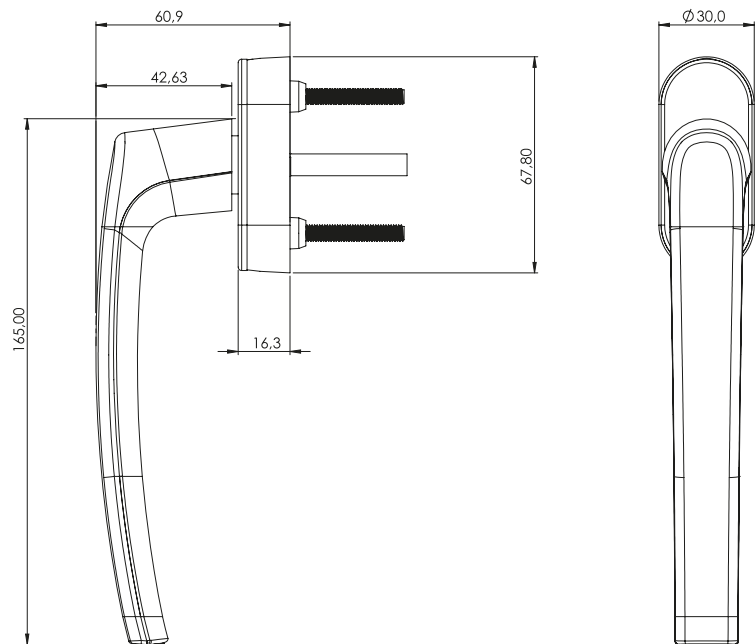


Handles For uPVC

● Mesut Window And Door Handles



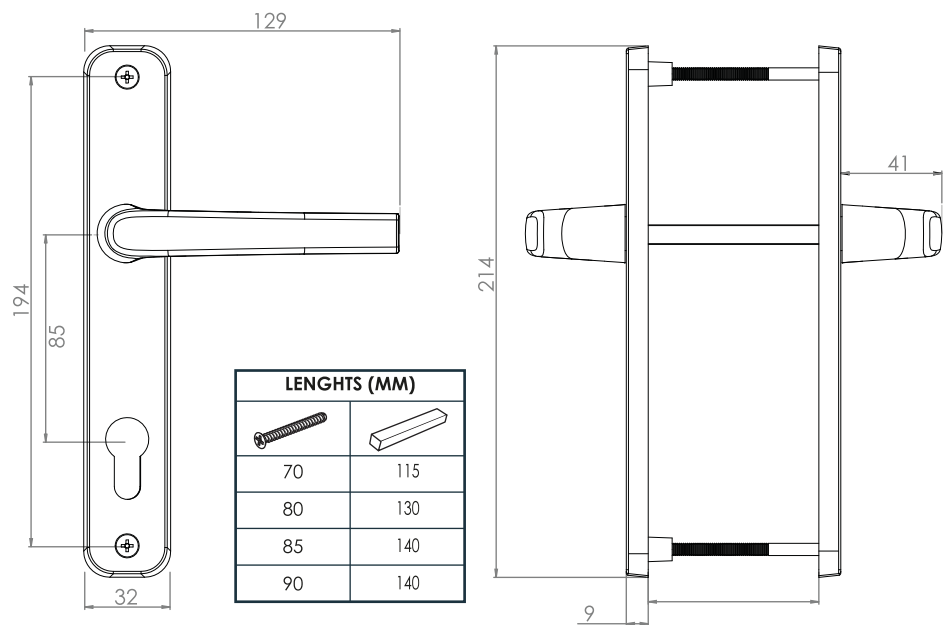
● Mesut Jumbo Aluminium Window Handle



| | | Qty. | Kg |
|-----------------|---|------|----|
| 01.AVK015.01.01 | 2 | 30 | - |



● Mesut Eco Aluminium Door Handle
PZ: 85 mm Backset: 32 mm

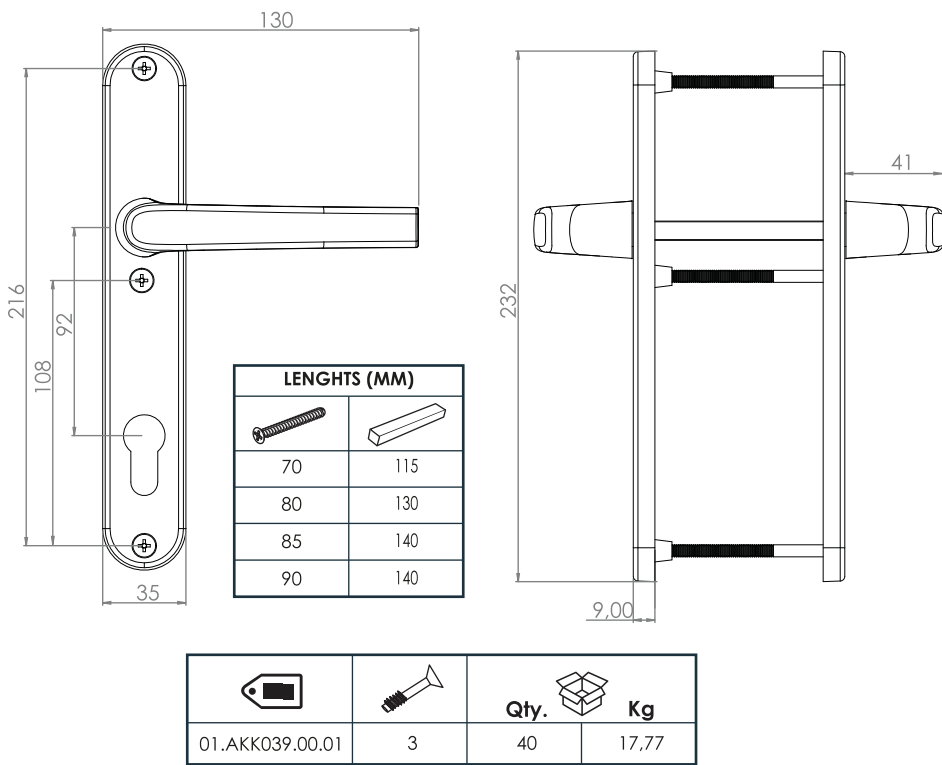


| LENGTHS (MM) | |
|--------------|-----|
| | |
| 70 | 115 |
| 80 | 130 |
| 85 | 140 |
| 90 | 140 |

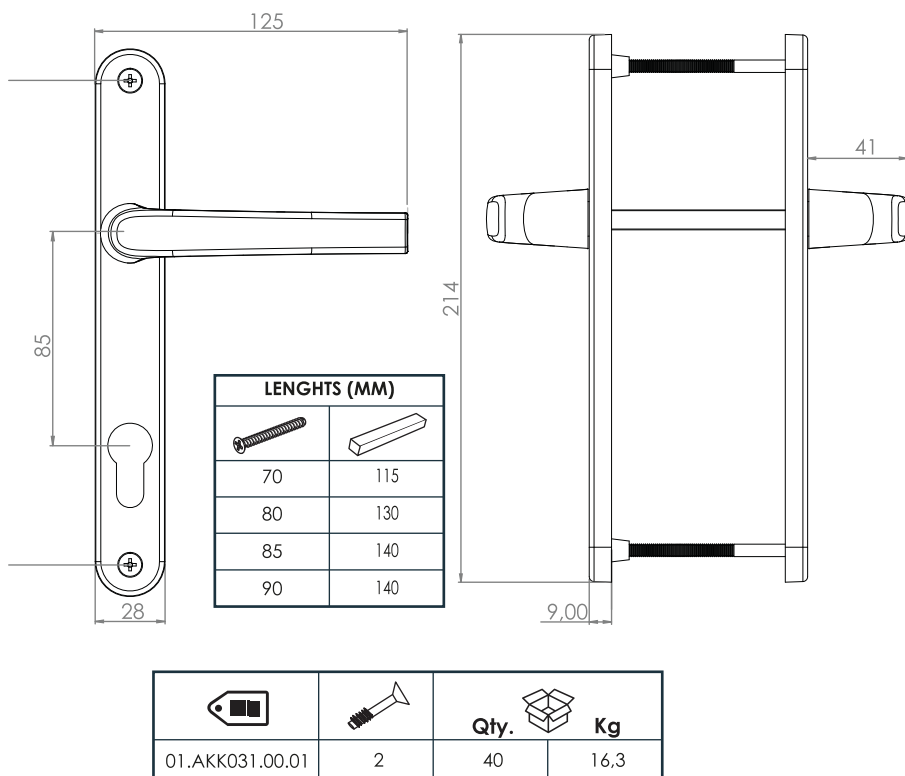
| | | Qty. | Kg |
|-----------------|---|------|-------|
| 01.AKK086.00.01 | 2 | 40 | 17,33 |

Mesut Window And Door Handles

Mesut Aluminium Door Handle •
PZ: 92 mm Backset: 35 mm



Mesut Aluminium Door Handle •
PZ: 85 mm Backset: 28 mm

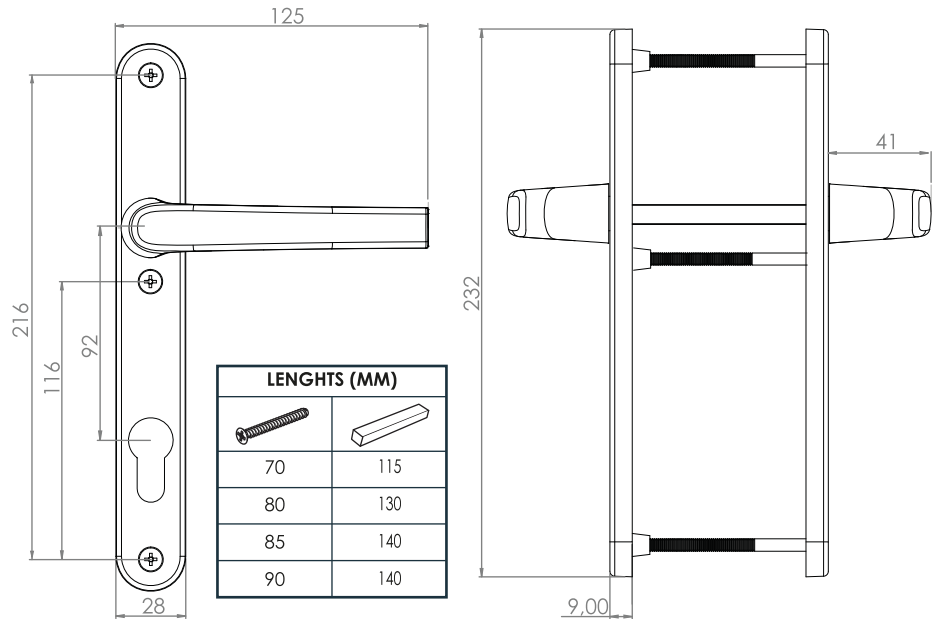


Handles For uPVC

Mesut Window And Door Handles



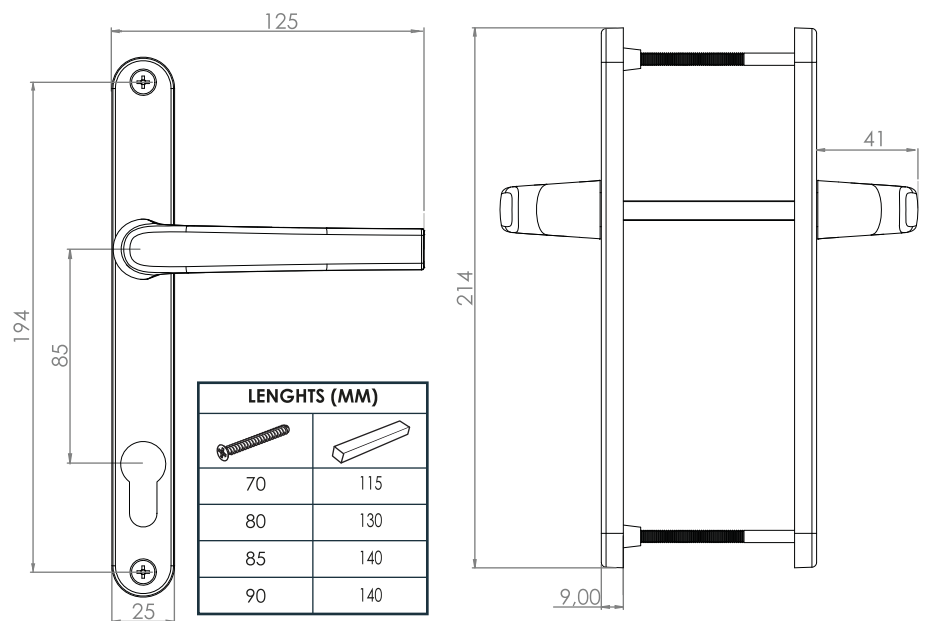
● Mesut Aluminium Door Handle
PZ: 92 mm Backset: 28 mm



| | | Qty. | Kg |
|-----------------|---|------|-------|
| 01.AKK038.00.01 | 2 | 40 | 14,25 |

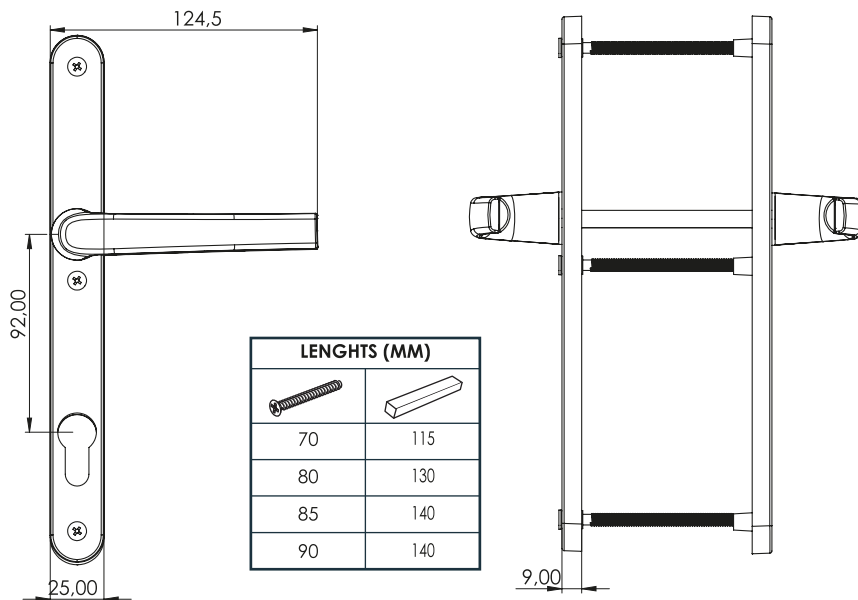


● Mesut Aluminium Door Handle
PZ: 85 mm Backset: 25 mm



| | | Qty. | Kg |
|-----------------|---|------|-------|
| 01.AKK055.00.01 | 2 | 40 | 15,75 |

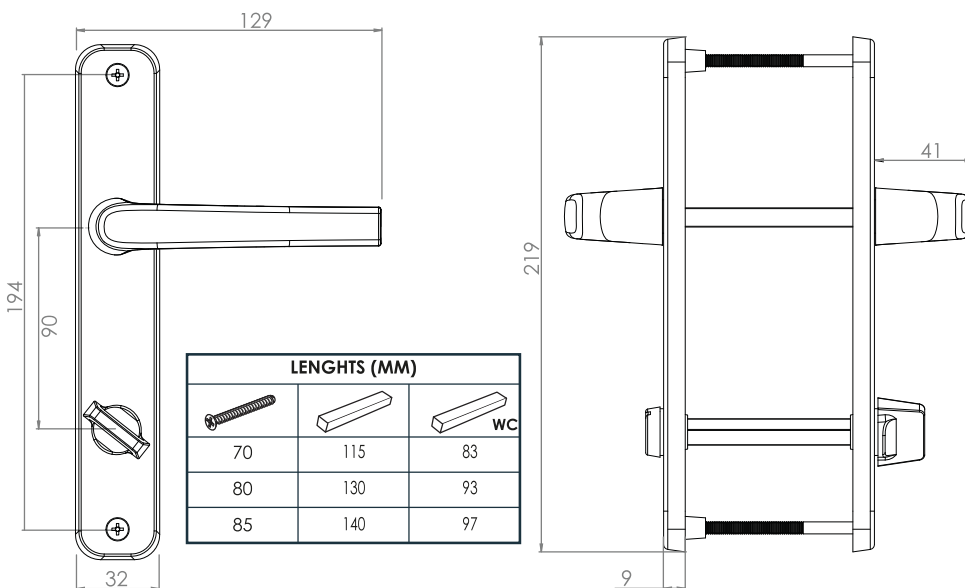
- Mesut Aluminium Door Handle
PZ: 92 mm Backset: 25 mm



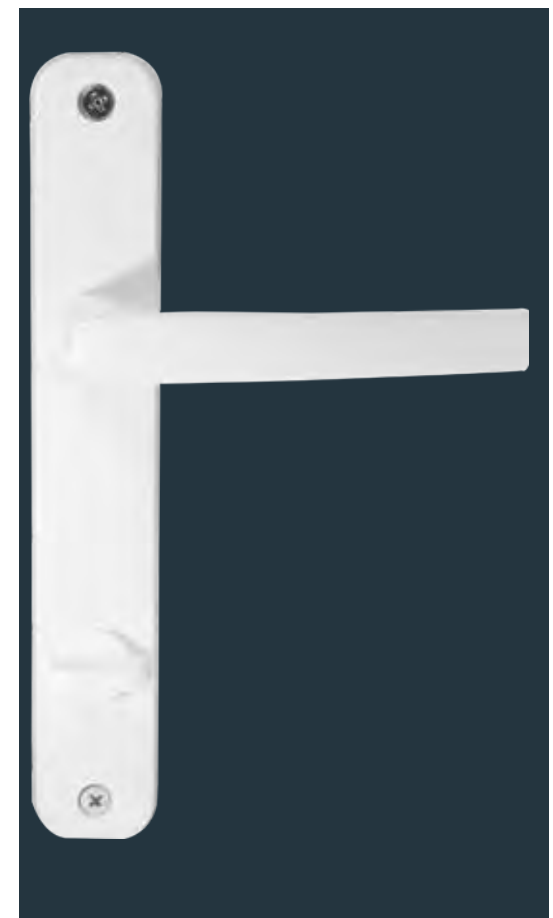
| | | Qty. | | Kg |
|-----------------|---|------|--|----|
| 01.AKK105.00.01 | 2 | 40 | | |



- Mesut Eco Aluminium WC Handle
PZ: 90 mm Backset: 32 mm



| | | Qty. | | Kg |
|-----------------|---|------|--|-------|
| 01.AKK087.01.01 | 3 | 40 | | 19,50 |

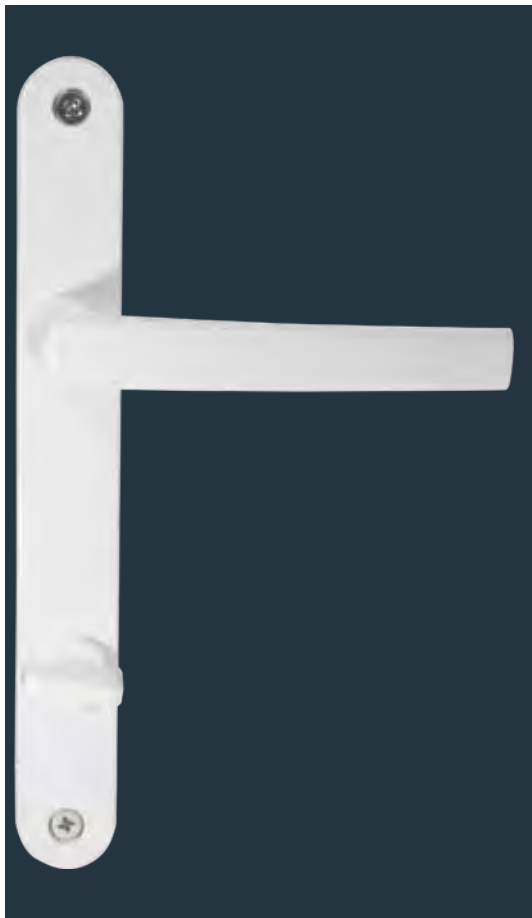
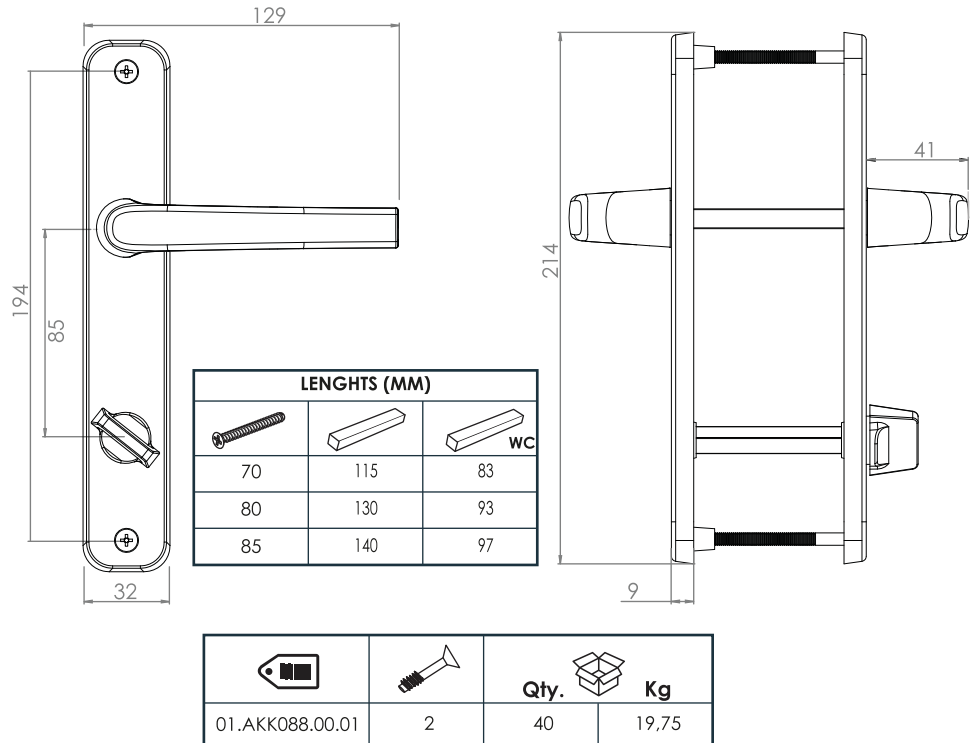


Handles For uPVC

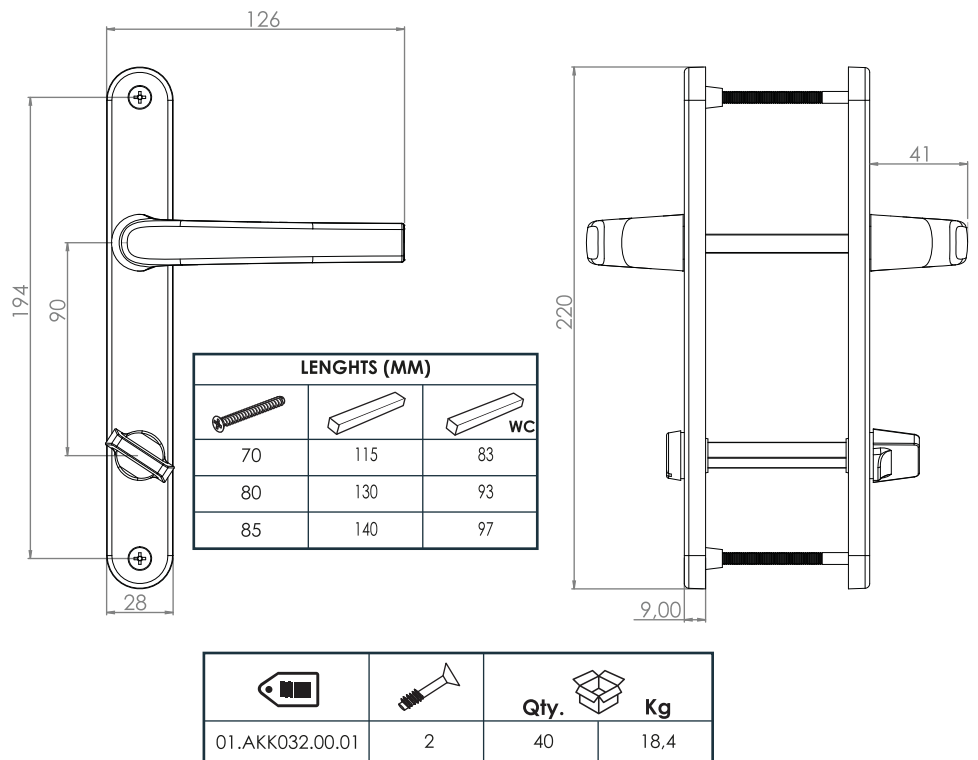
- Mesut Window And Door Handles



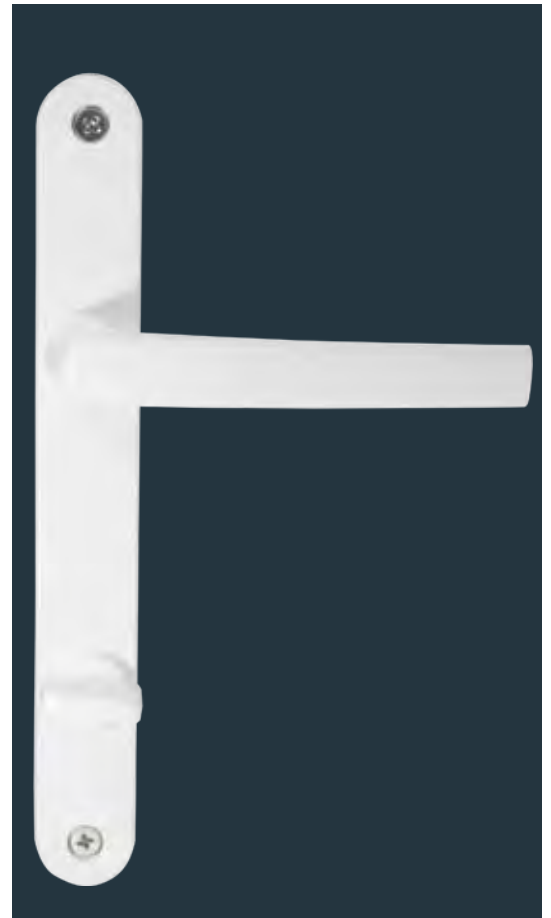
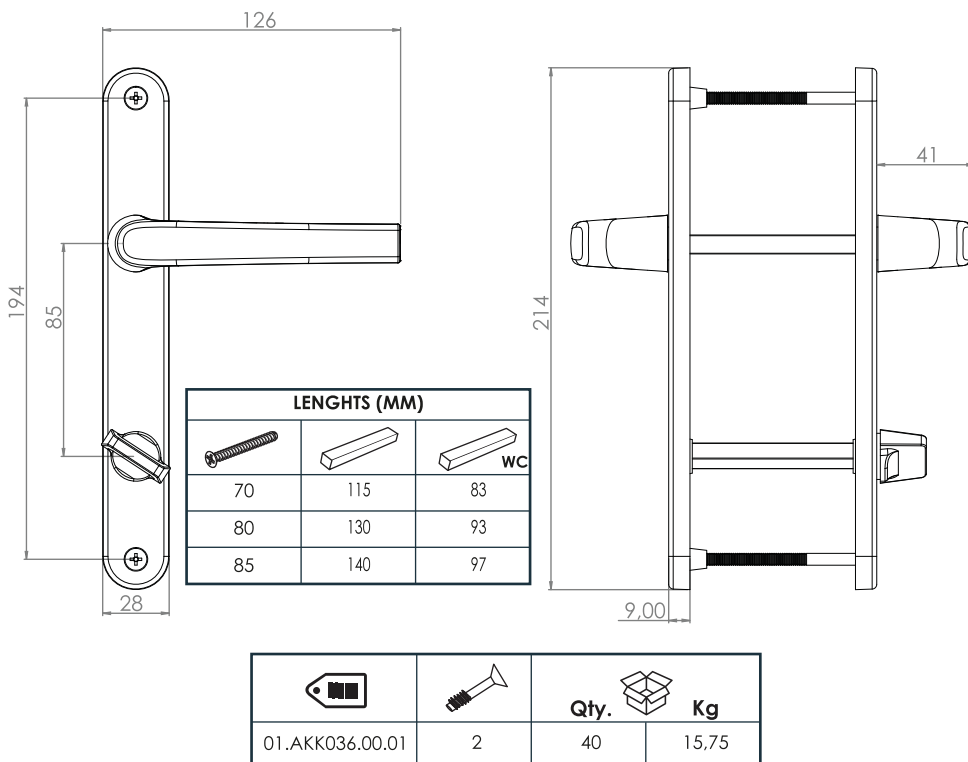
- Mesut Aluminium Balcony Handle
PZ: 85 mm Backset: 32 mm



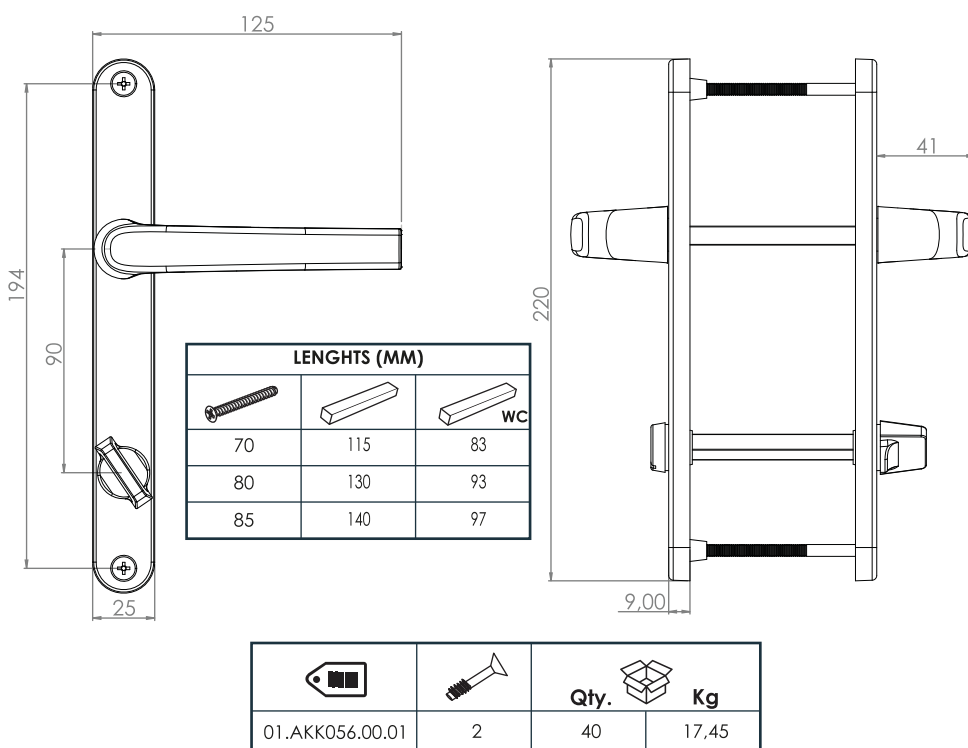
- Mesut Aluminium WC Handle
PZ: 90 mm Backset: 28 mm



Mesut Aluminium Balcony Handle ●
PZ: 85 mm Backset: 28 mm



Mesut Aluminium WC Handle ●
PZ: 90 mm Backset: 25 mm

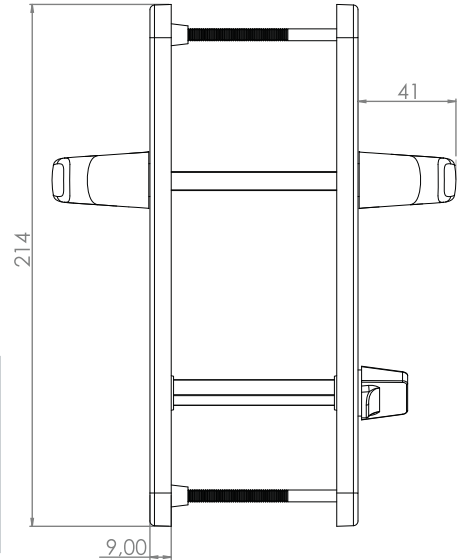
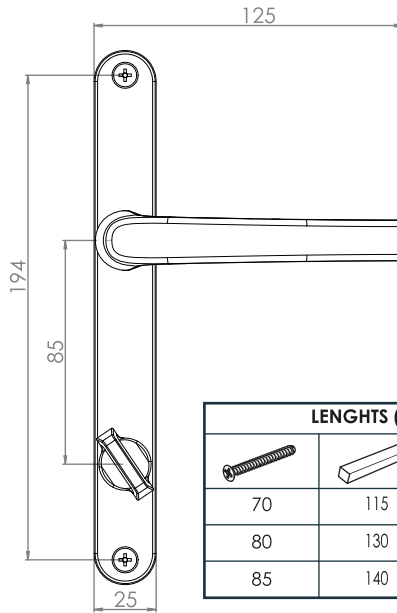


Handles For uPVC

- Mesut Window And Door Handles



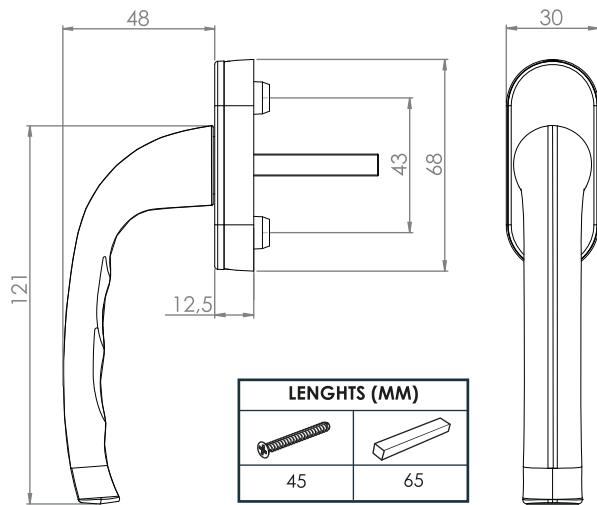
- Mesut Aluminium Balcony Handle
PZ: 85 mm Backset: 25 mm



| LENGTHS (MM) | | |
|--------------|-----|----|
| | | |
| 70 | 115 | 83 |
| 80 | 130 | 93 |
| 85 | 140 | 97 |

| | | Qty. | Kg |
|-----------------|---|------|-------|
| 01.AKK058.00.01 | 2 | 40 | 17,45 |

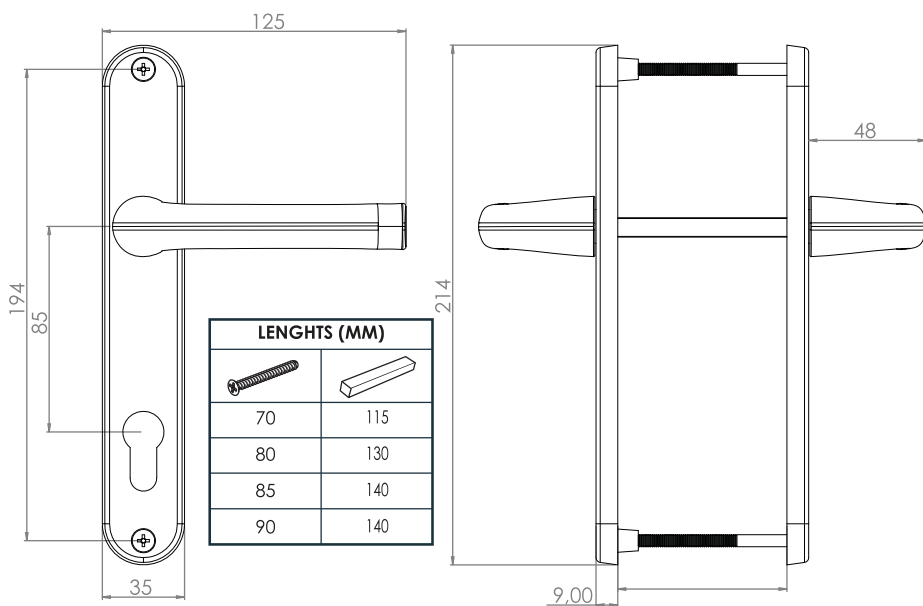
Mega Aluminium Window Handle



| | | Qty. | Kg |
|-----------------|---|------|-------|
| 01.APK010.01.01 | 2 | 40 | 14,22 |



Mega Aluminium Door Handle
PZ: 85 mm Backset: 35 mm



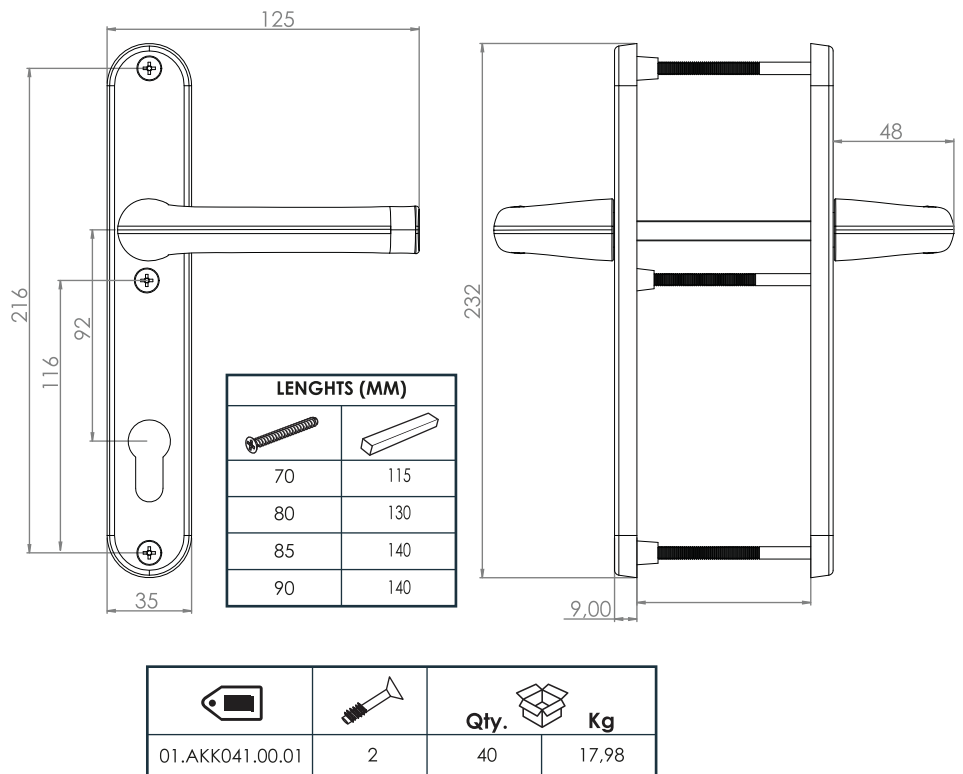
| | | Qty. | Kg |
|-----------------|---|------|-------|
| 01.AKK024.00.01 | 2 | 40 | 16,80 |



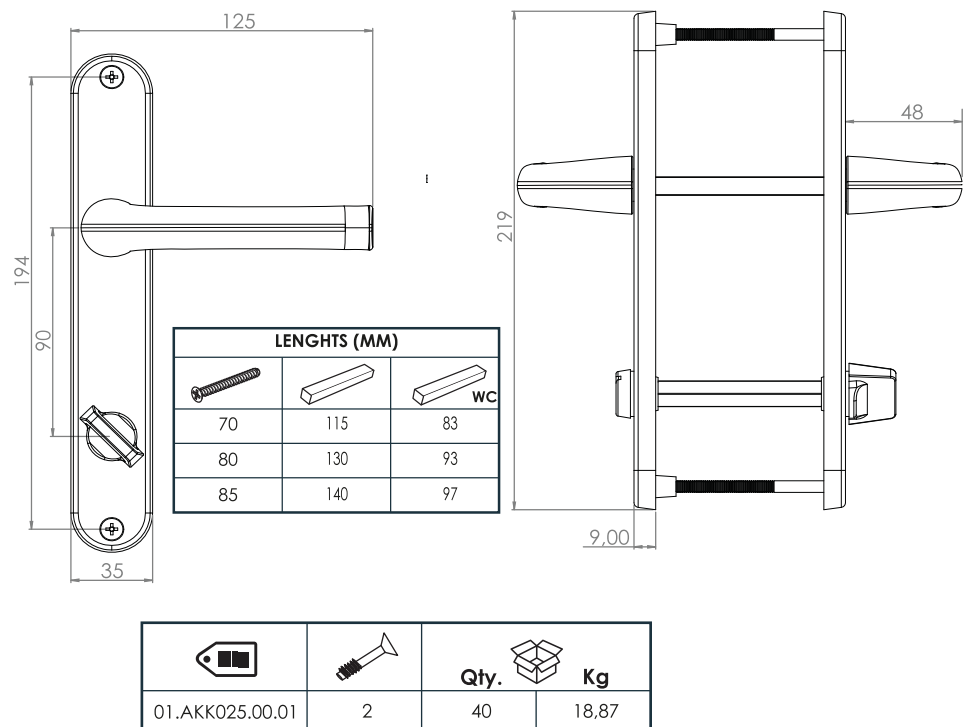
Handles For uPVC

Mega Window And Door Handles

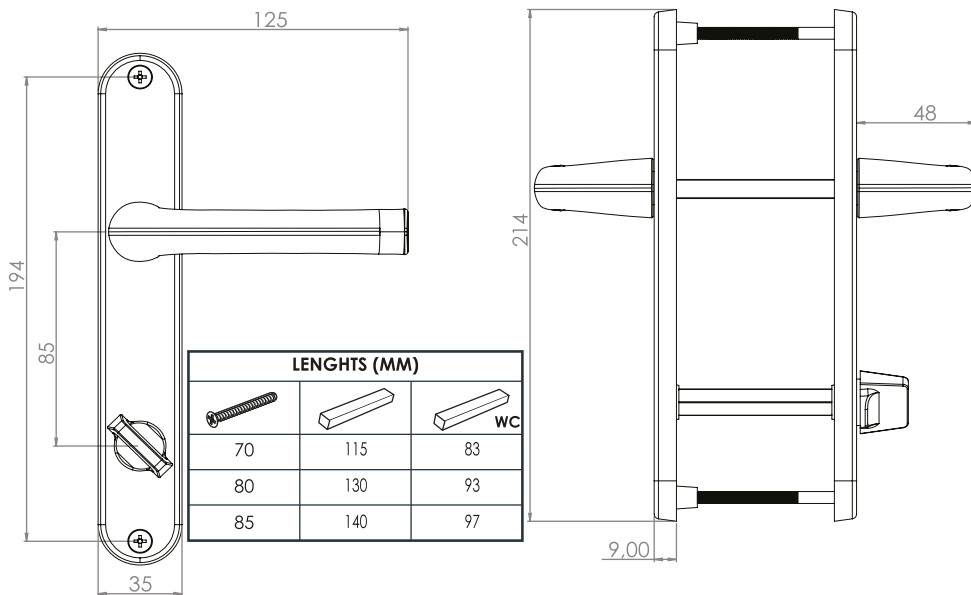
- Mega Aluminium Door Handle
PZ: 92 mm Backset: 35 mm



- Mega Aluminium WC Handle
PZ: 90 mm Backset: 35 mm



Mega Aluminium Balcony Handle ●
PZ: 85 mm Backset: 35 mm



| | Qty. | | |
|-------|------|----|--------|
| AK025 | 2 | 40 | 19,120 |

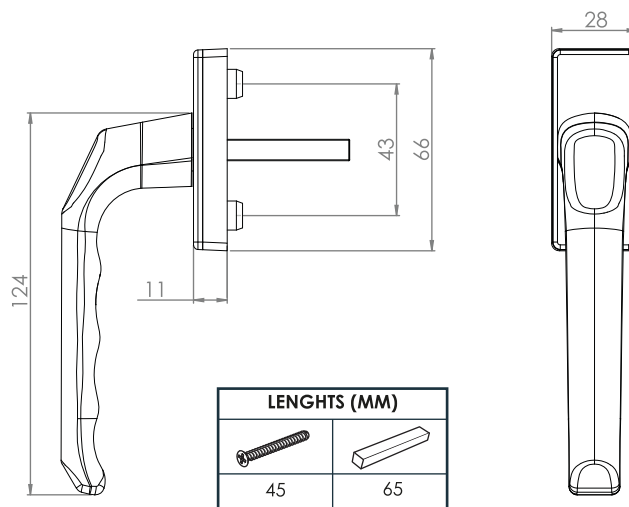



Handles For uPVC

● Pinar Window And Door Handles



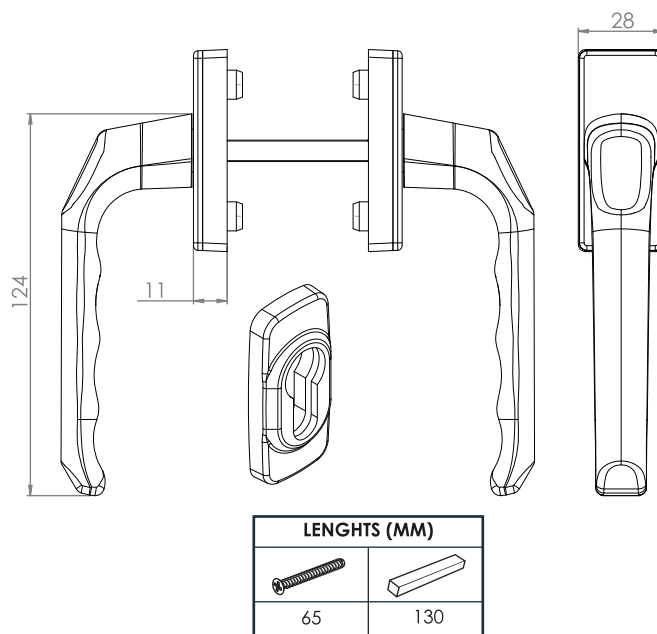
● Pinar Aluminium Window Handle



|  |  | Qty.  | Kg |
|---|---|--|-------|
| 01.APK005.01.01 | 2 | 100 | 14,59 |

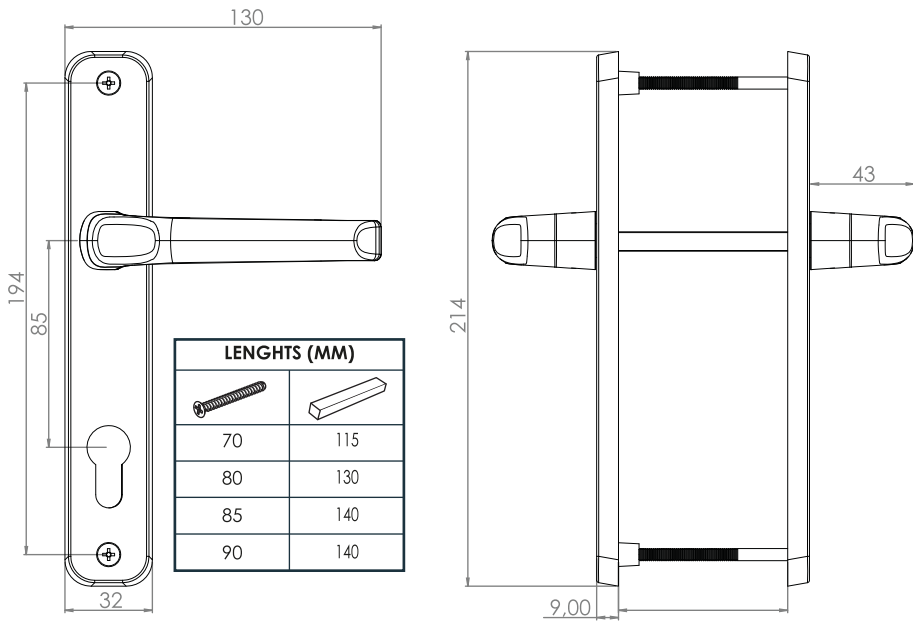


● Pinar Aluminium Double Side Window Handle



|  |  | Qty.  | Kg |
|---|---|--|-------|
| 01.APK007.01.01 | 100 | 40 | 29,18 |

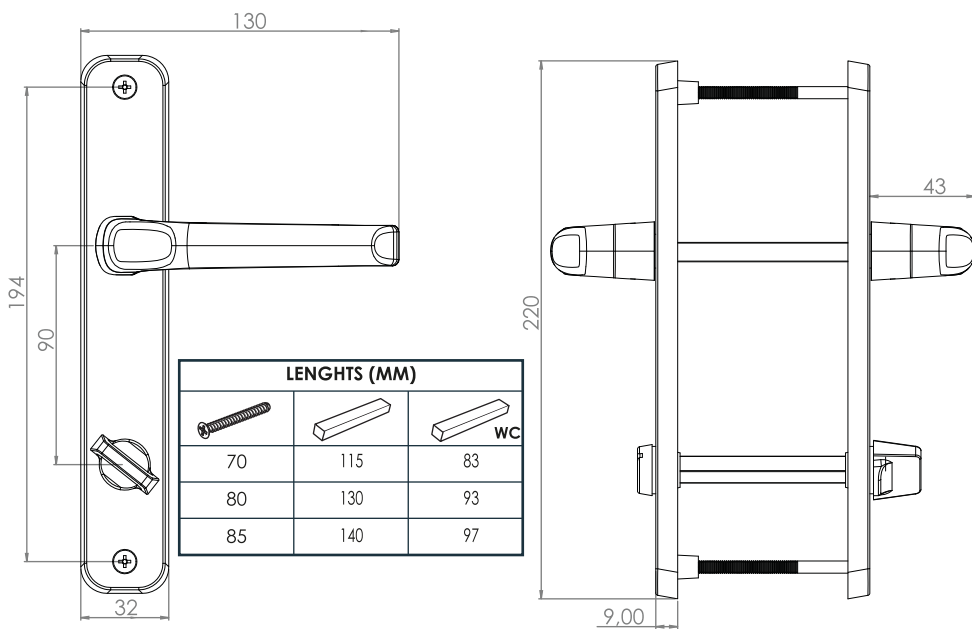
Pinar Aluminium Door Handle ●
PZ: 85 mm Backset: 32 mm



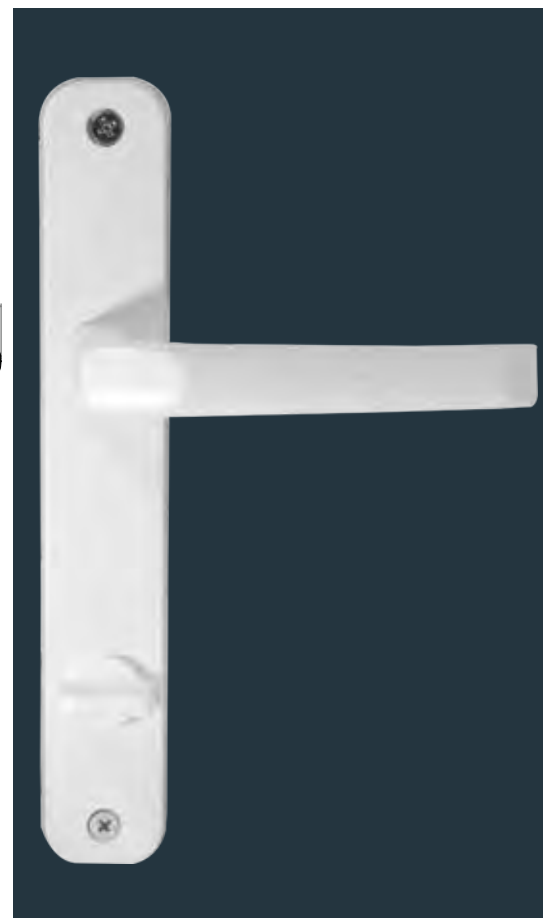
| | | Qty. | Kg |
|-----------------|---|------|-------|
| 01.AKK096.00.01 | 2 | 40 | 17,80 |



Pinar Aluminium WC Handle ●
PZ: 90 mm Backset: 32 mm

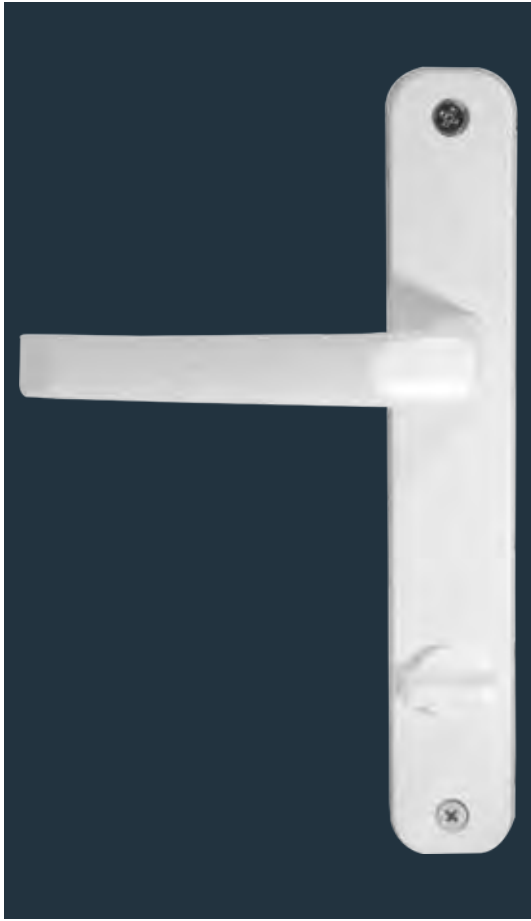


| | | Qty. | Kg |
|-----------------|---|------|-------|
| 01.AKK097.00.01 | 2 | 40 | 19,94 |

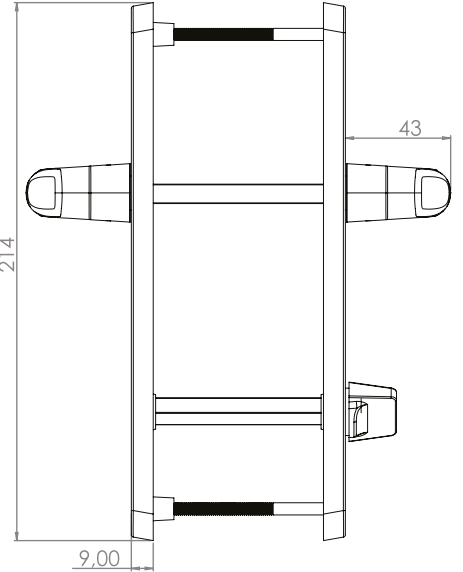
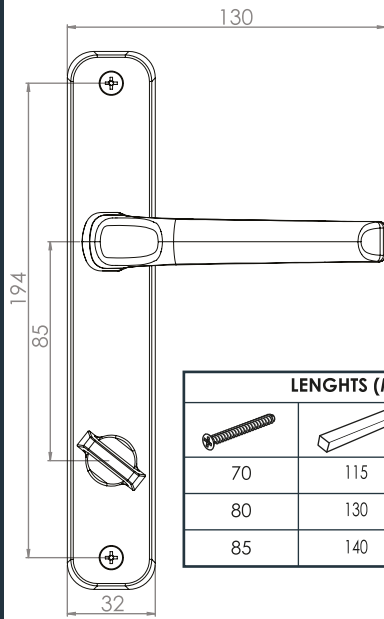


Handles For uPVC

● Pinar Window And Door Handles



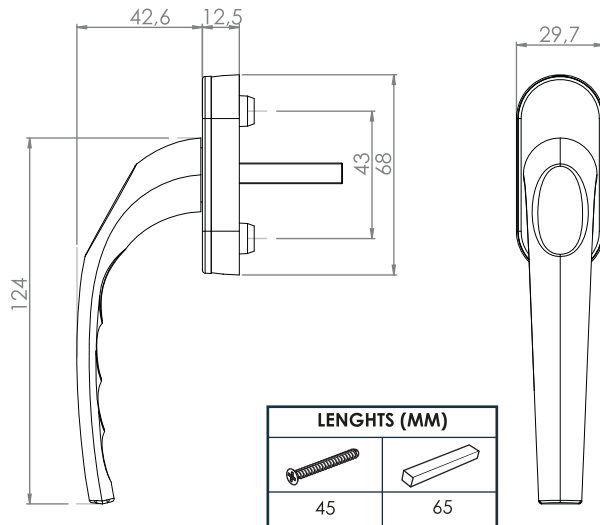
- Pinar Aluminium Balcony Handle
PZ: 85 mm Backset: 32 mm



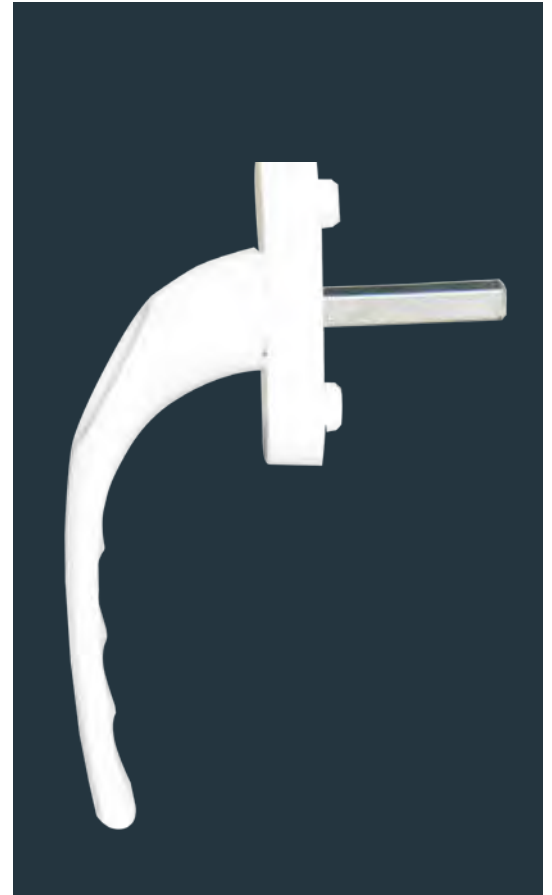
| LENGTHS (MM) | | |
|--------------|-----|----|
| | | |
| 70 | 115 | 83 |
| 80 | 130 | 93 |
| 85 | 140 | 97 |

| | Qty. | | |
|-----------------|------|----|-------|
| 01.AKK098.00.01 | 2 | 40 | 19,90 |

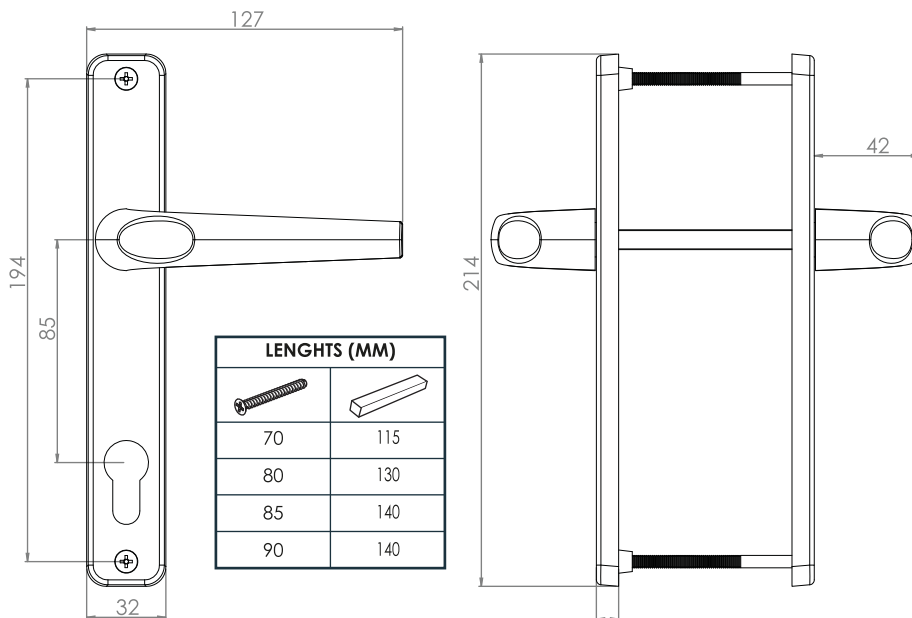
Bosna Aluminium Window Handle ●



| | | | Qty. | Kg |
|-----------------|---|--|------|-------|
| 01.APK013.01.01 | 2 | | 100 | 12,30 |



Bosna Aluminium Door Handle ●
PZ: 85 mm Backset: 32 mm



| | | | Qty. | Kg |
|-----------------|---|--|------|-------|
| 01.AKK061.00.01 | 2 | | 40 | 11,56 |

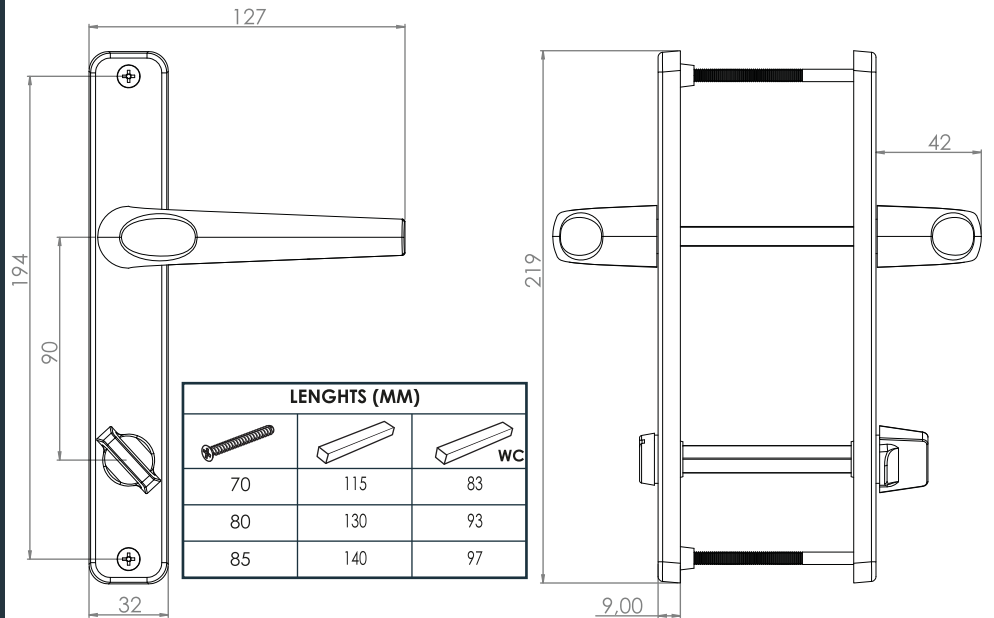


Handles For uPVC

● Bosna Window And Door Handles



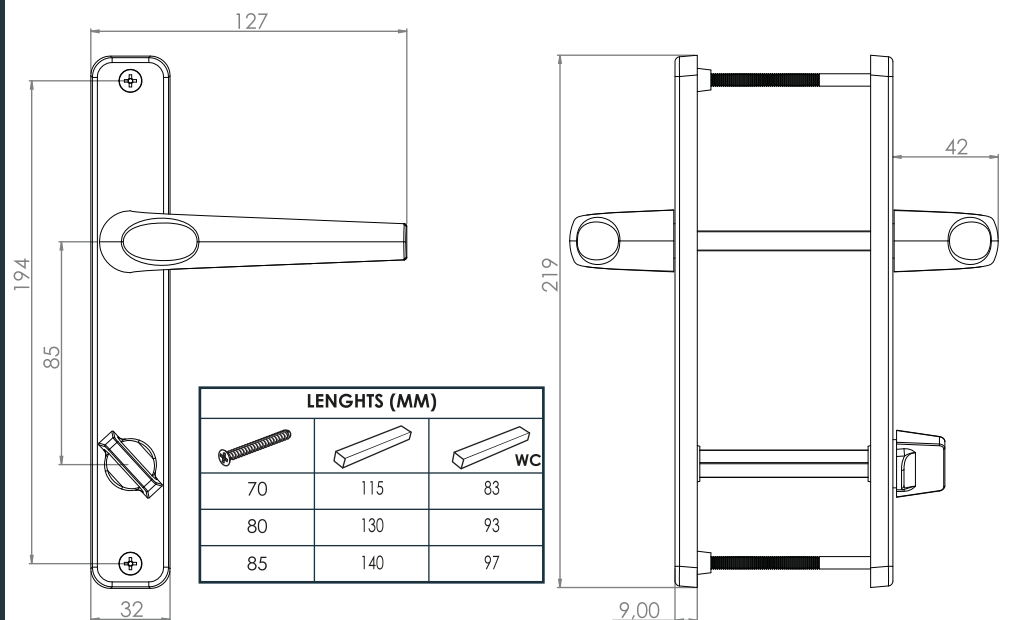
● Bosna Aluminium WC Handle
PZ: 90 mm Backset: 32 mm



| | | Qty. | Kg |
|-----------------|---|------|-------|
| 01.AKK062.00.01 | 2 | 40 | 13,15 |

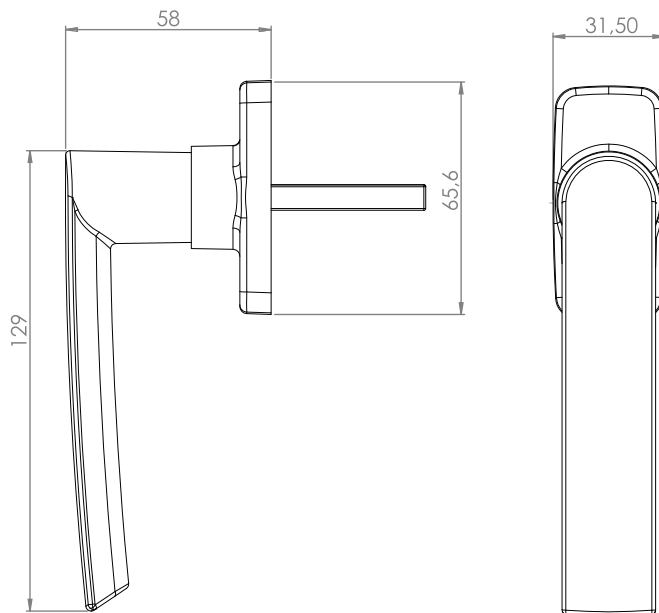


● Bosna Aluminium Balcony Handle
PZ: 85 mm Backset: 32 mm

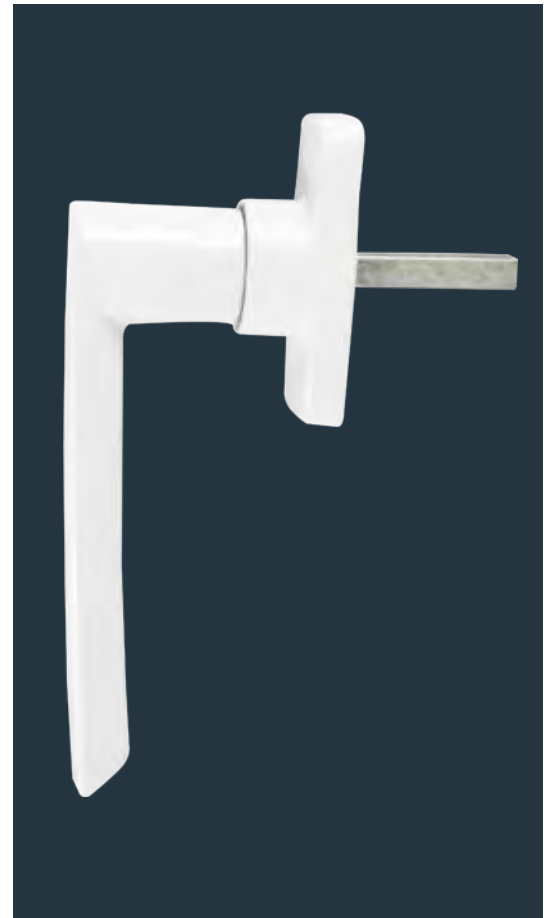


| | | Qty. | Kg |
|-----------------|---|------|-------|
| 01.AKK063.00.01 | 2 | 40 | 13,15 |

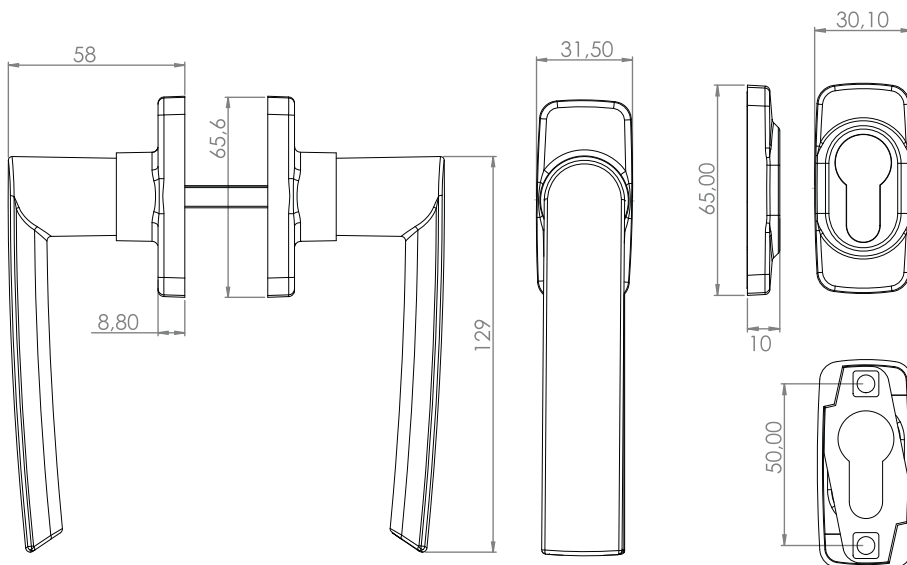
Italy Aluminium Window Handle ●



| | | Qty. | Kg |
|-----------------|---|------|-------|
| 01.AAA001.00.01 | 2 | 50 | 14,30 |

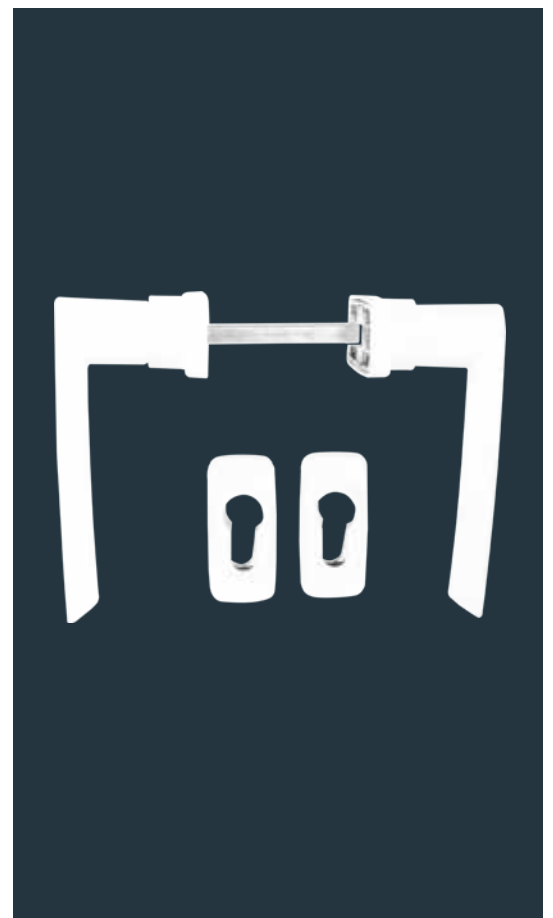


Italy Aluminium Door Handle ●



| | | Qty. | Kg |
|-----------------|---|------|----|
| 01.AAA002.00.01 | 2 | 25 | 16 |

| | | Qty. | Kg |
|-----------------|---|------|----|
| 01.AAA010.00.01 | 2 | - | - |

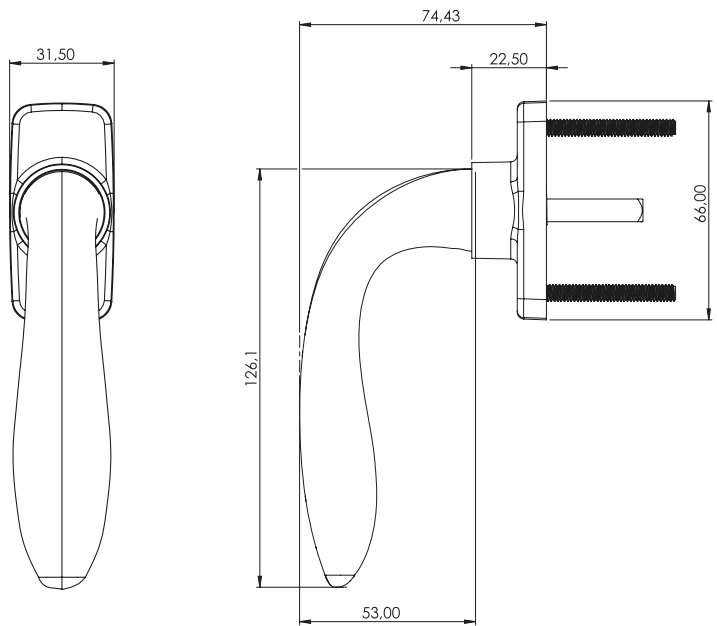


Handles For uPVC

- Ada Window And Door Handles



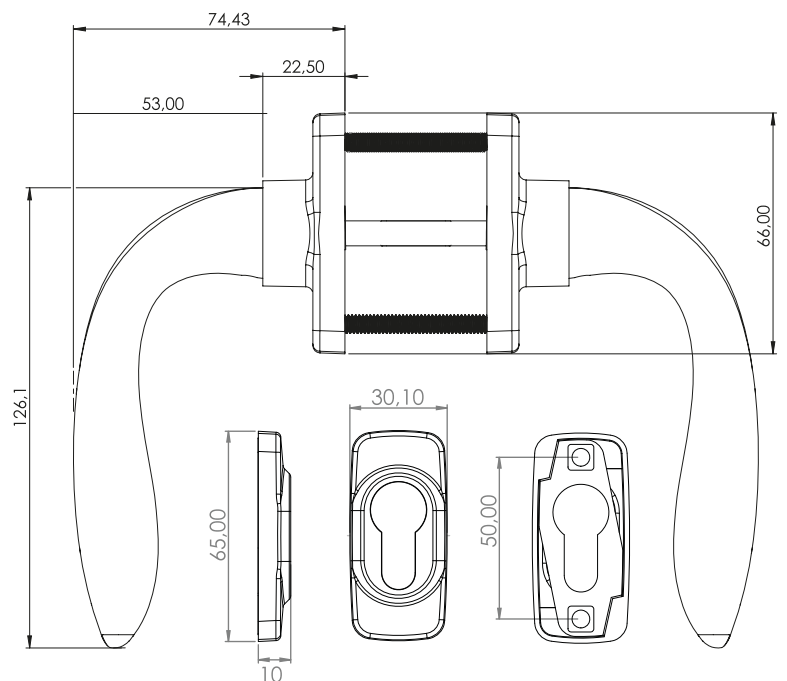
- Ada Aluminium Window Handle



| | | Qty. | Kg |
|-----------------|---|------|-------|
| 00.AAA016.00.01 | 2 | 50 | 14,30 |

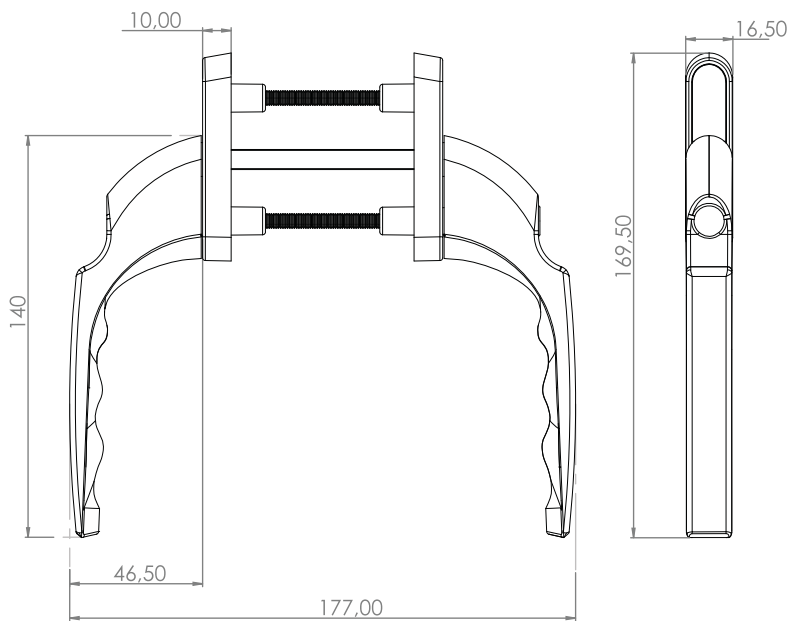





- Ada Aluminium Door Handle



| | | Qty. | Kg |
|-----------------|---|------|----|
| 00.AAA015.00.01 | 8 | - | - |

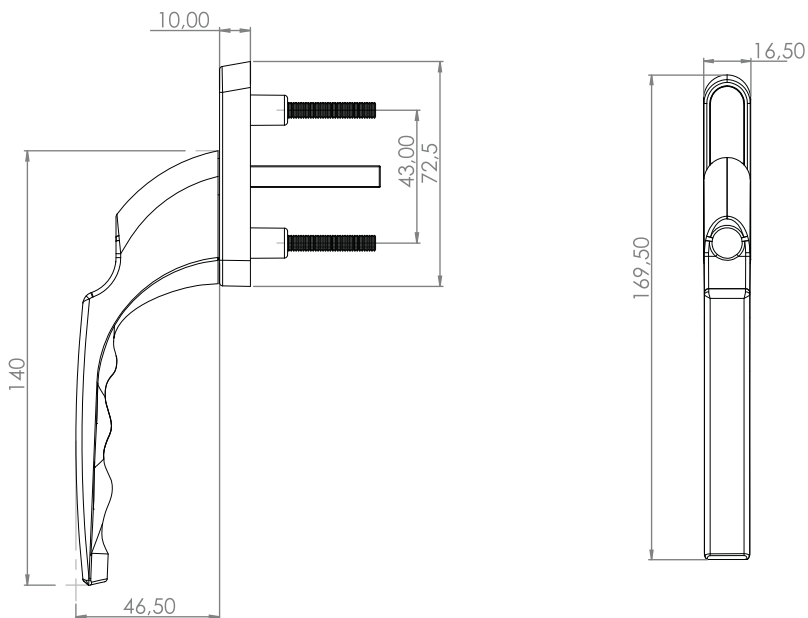
Double Side Outward Opening Handle ●




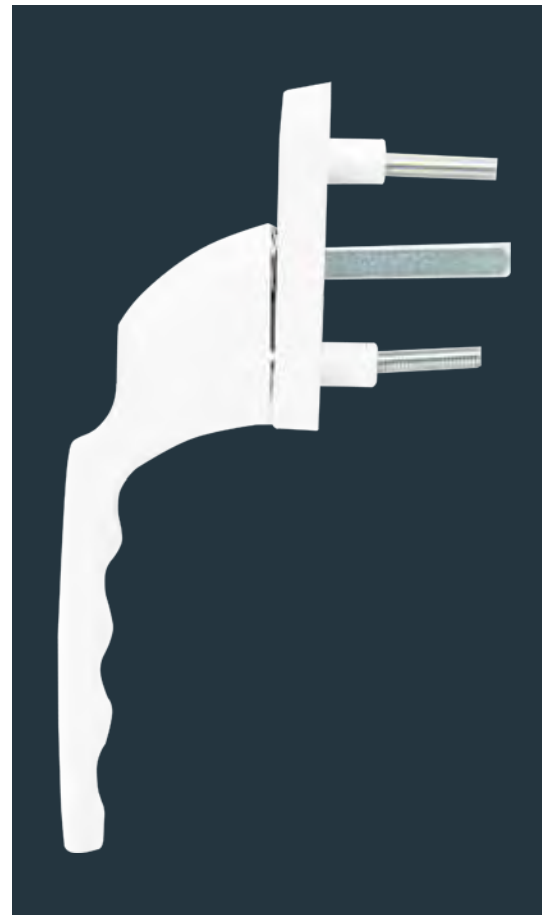
|  |  | Qty.  | Kg |
|---|---|--|------|
| 00.AAA008.00.01 | 2 | 20 | 5,47 |



Outward Opening Window Handle ●



|  |  | Qty.  | Kg |
|---|---|--|----|
| 00.AAA005.00.01 | 2 | 40 | 6 |

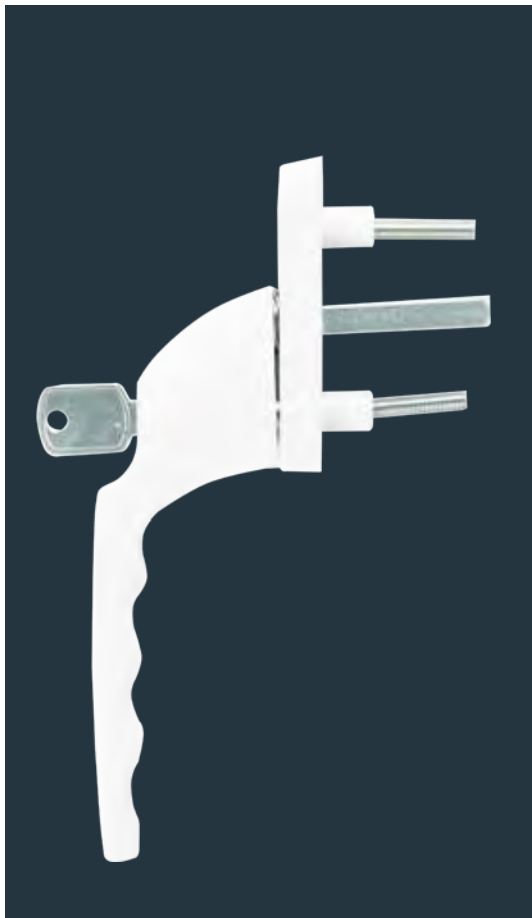
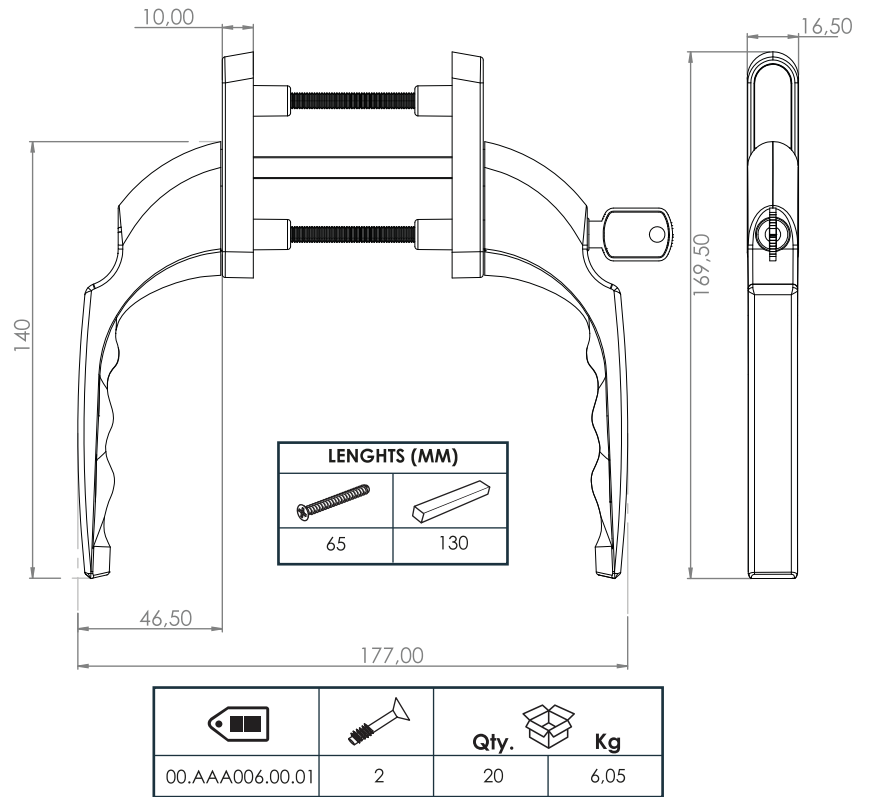


Handles For uPVC

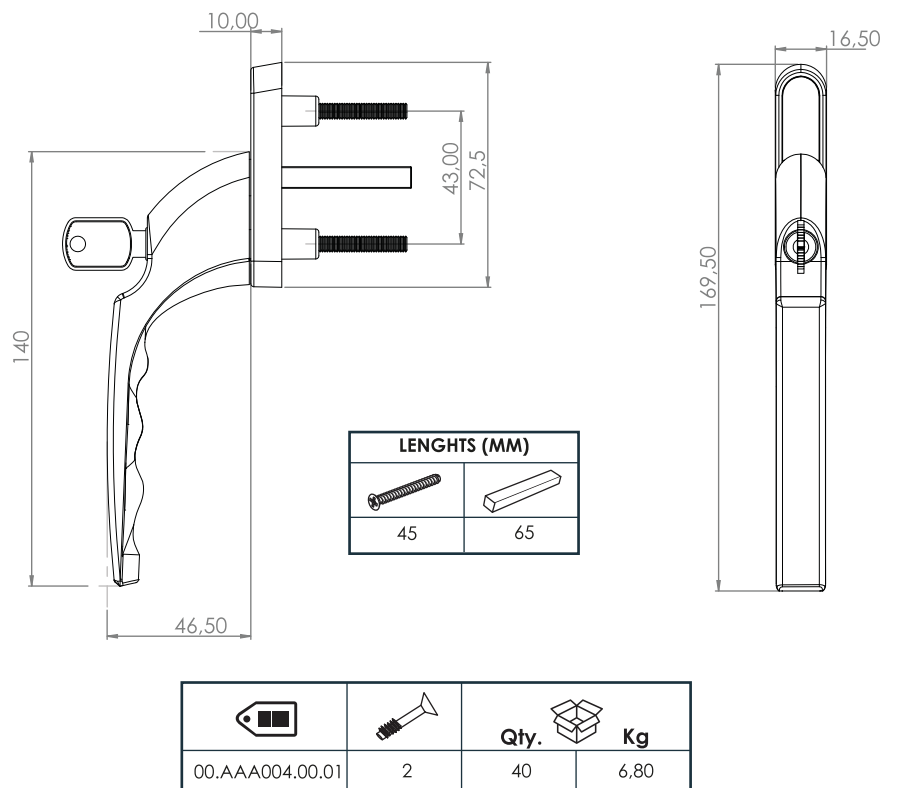
● Outward Opening Handles



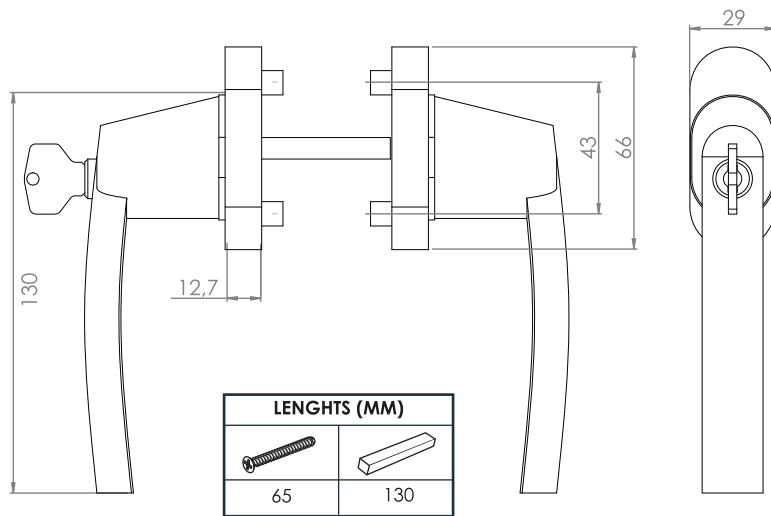
● Lockable Double Side Outward Opening Handle






● Lockable Outward Opening Handle



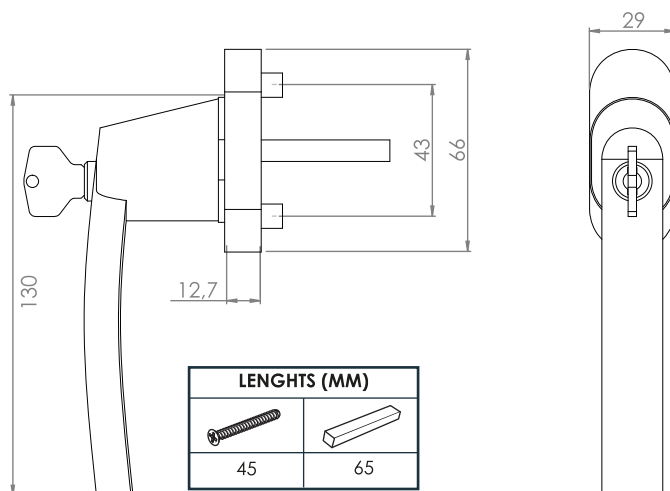
Lockable Double Side Handle (Lux)






|  |  | Qty.  | Kg |
|---|---|--|-------|
| 00.APK009.00.01 | 2 | 40 | 19,50 |



Lockable Handle (Lux)



|  |  | Qty.  | Kg |
|---|---|--|-------|
| 00.APK004.00.01 | 2 | 40 | 20,40 |

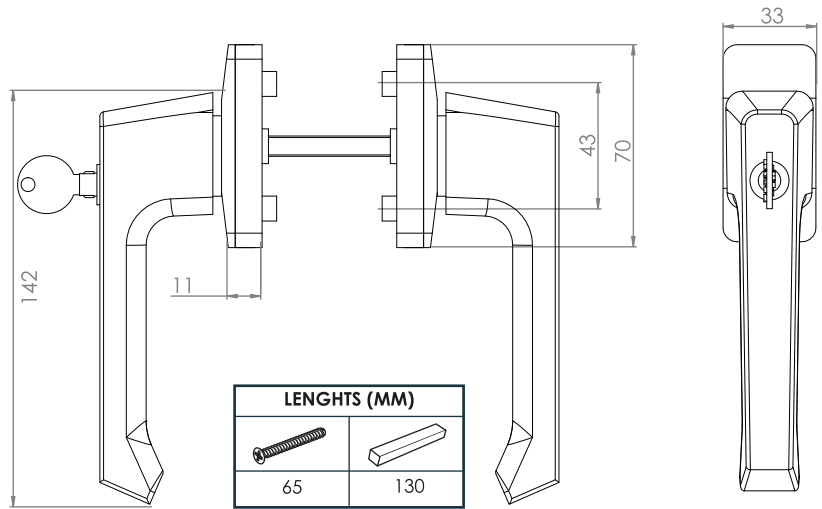


Handles For uPVC

● Lockable Handles



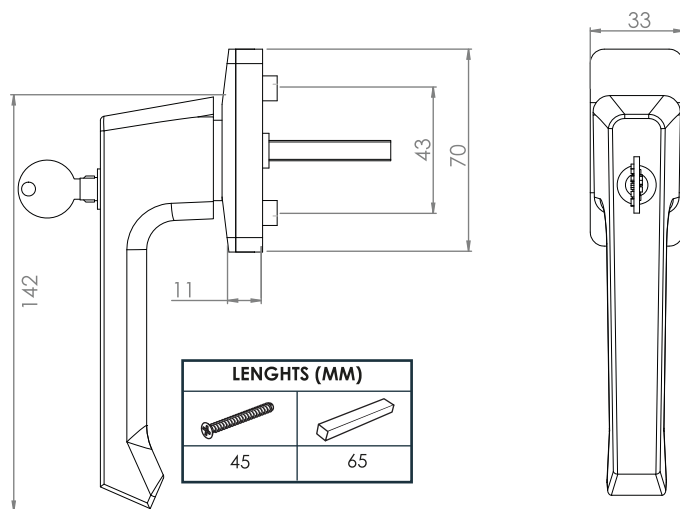
● Lockable Double Side Handle



| | | Qty. | Kg |
|-----------------|---|------|-------|
| 00.APK002.00.01 | 2 | 30 | 15,80 |

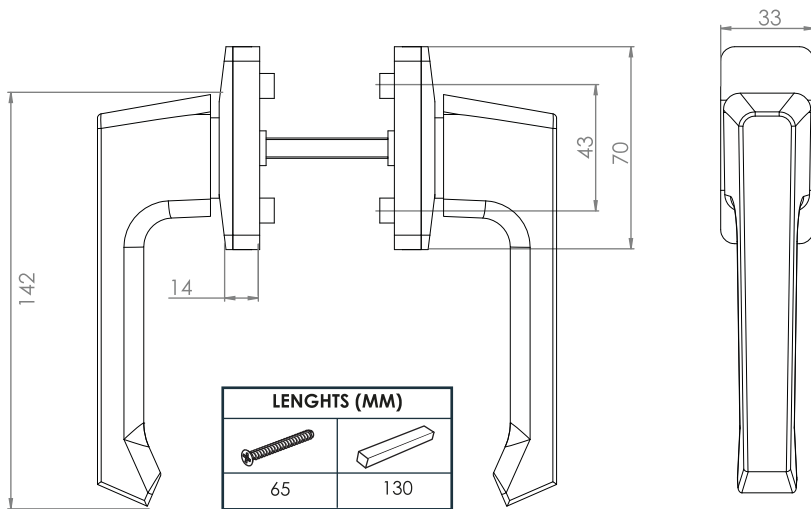


● Lockable Handle

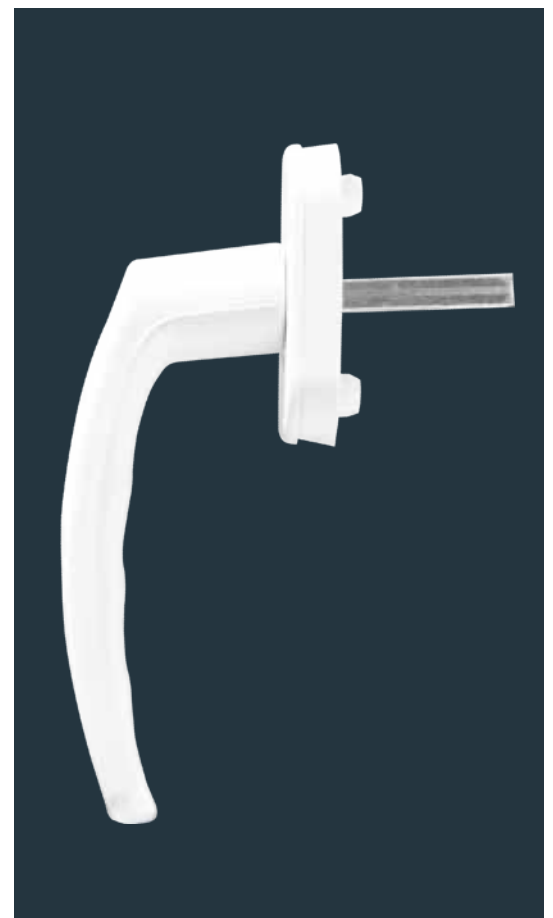
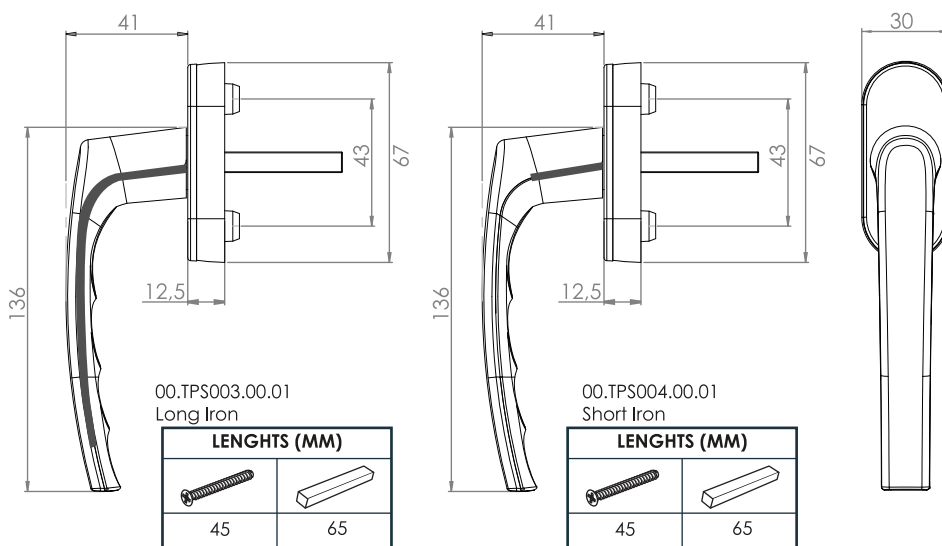


| | | Qty. | Kg |
|-----------------|---|------|-------|
| 00.APK001.00.01 | 2 | 75 | 20,30 |

Double Side Handle ●



Plastic Window Handle ●

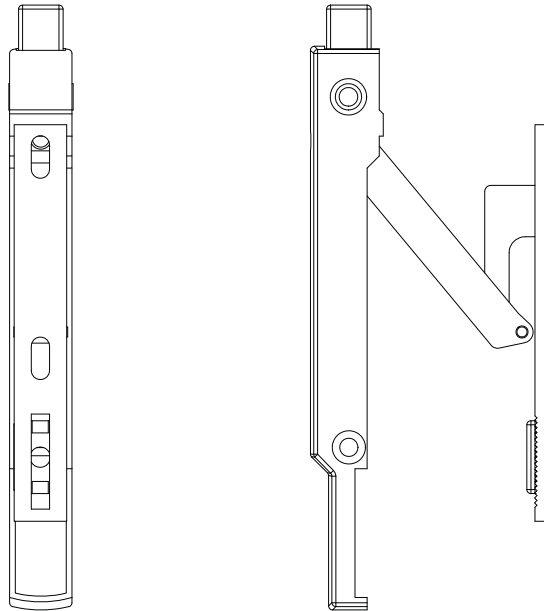





Safety Latches

- Safety Latches



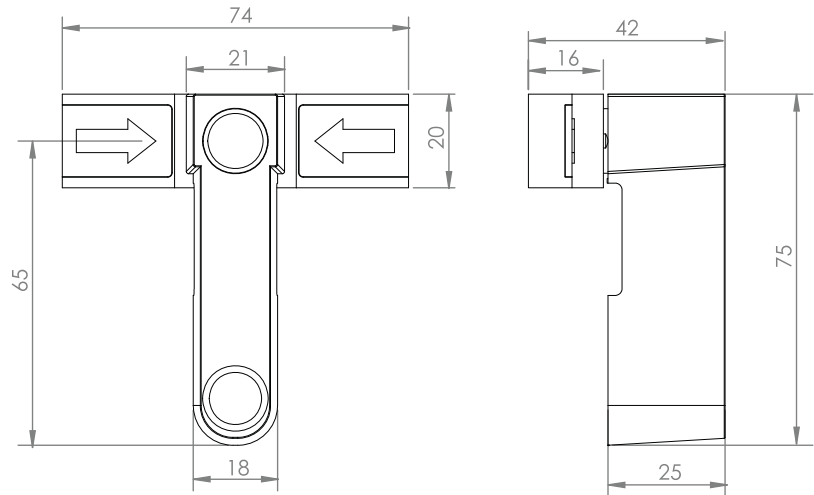
- Safety Ventilation Latch






|  |  | Qty.  | Kg |
|---|--|--|------|
| 00.EMN006.00.01 | 5 | 50 | 8,40 |

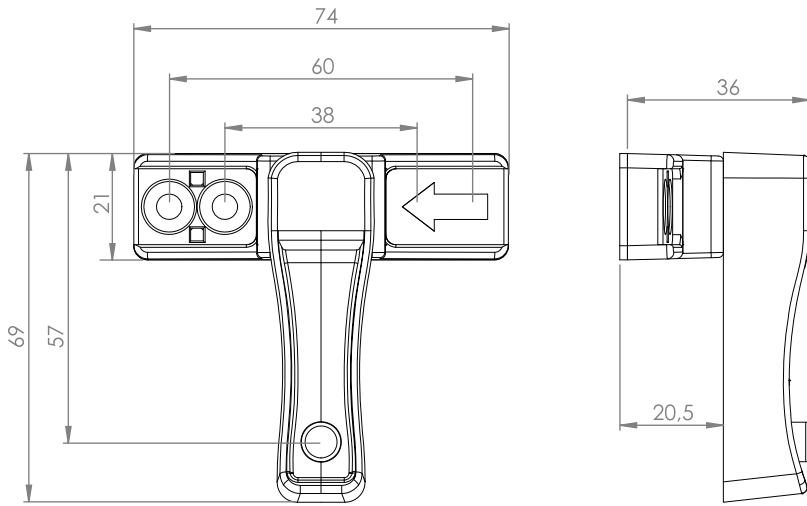





- Safety Latch



|  |  | Qty.  | Kg |
|---|--|--|----|
| 00.EMN002.00.01 | 4 | 50 | 10 |

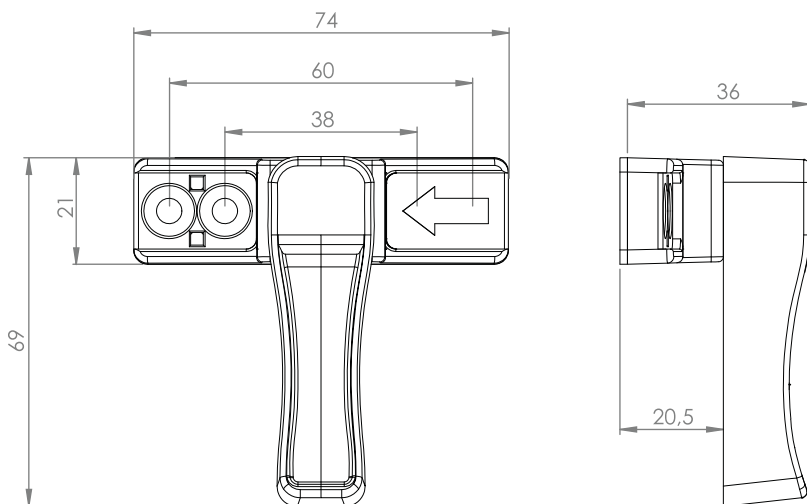
Lockable Safety Latch






|  |  | Qty.  | Kg |
|---|---|--|----|
| 00.EMN004.00.01 | 4 | 50 | 7 |



Safety Latch



|  |  | Qty.  | Kg |
|---|---|--|------|
| 00.EMN005.00.01 | 4 | 50 | 6,48 |

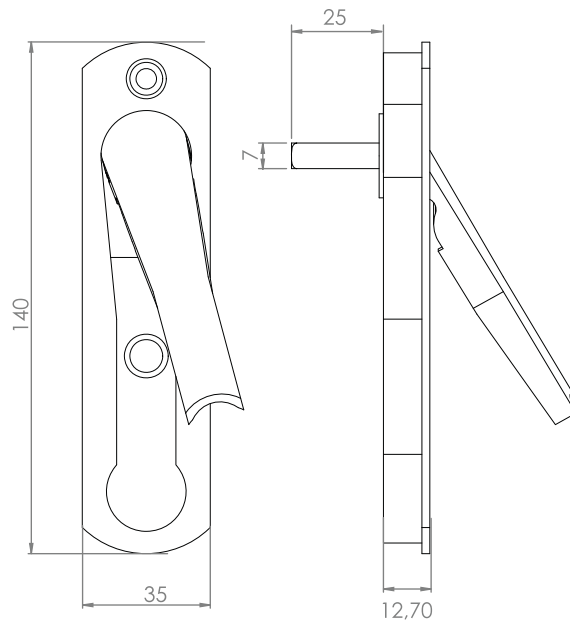





Handles For uPVC

- Pop-Up Handles



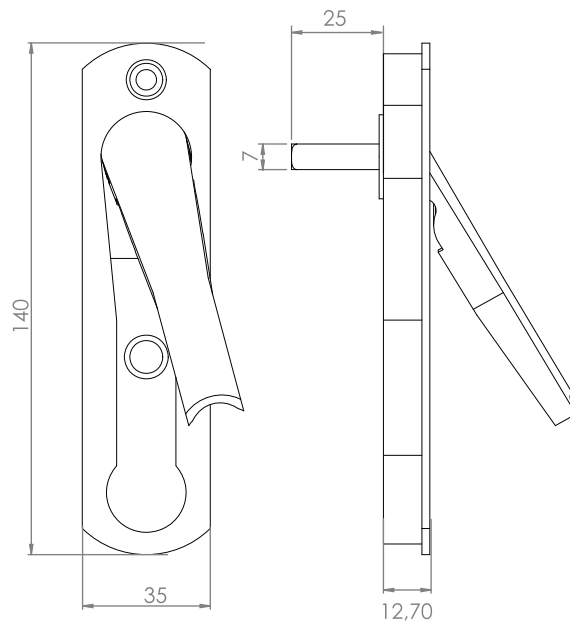
- Pop-Up Handle Steel






|  |  | Qty.  | Kg |
|---|---|--|------|
| 00.TSA033.00.01 | 2 | 50 | 9,60 |

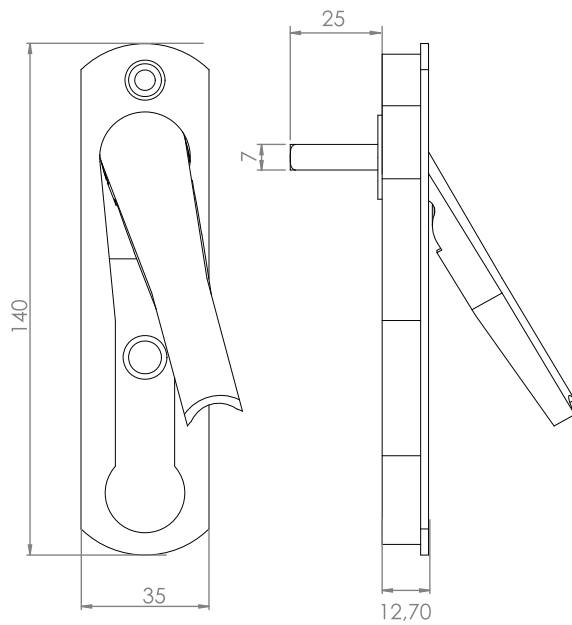





- Pop-Up Handle Zinc



|  |  | Qty.  | Kg |
|---|---|--|------|
| 00.TSA016.00.00 | 2 | 50 | 9,40 |

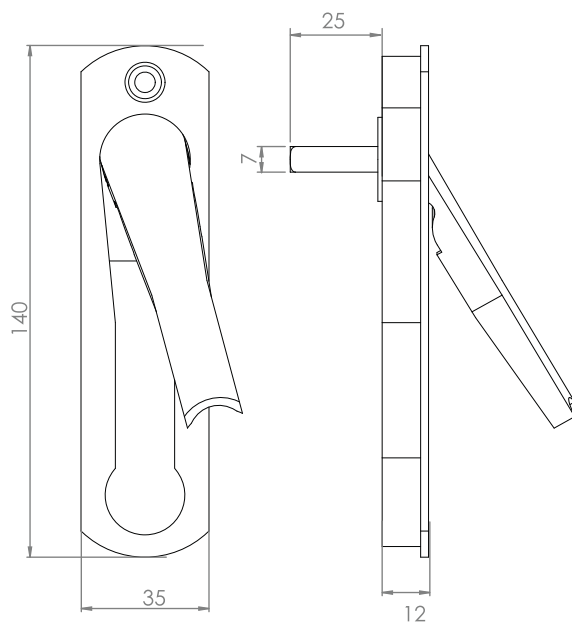
Pop-Up Handle Aluminium ●






|  |  | Qty.  | Kg |
|---|---|--|------|
| 00.TSA030.00.00 | 2 | 50 | 5,20 |



Pop-Up Handle Plastic ●



|  |  | Qty.  | Kg |
|---|---|--|----|
| 00.TSA042.00.00 | 2 | 50 | - |

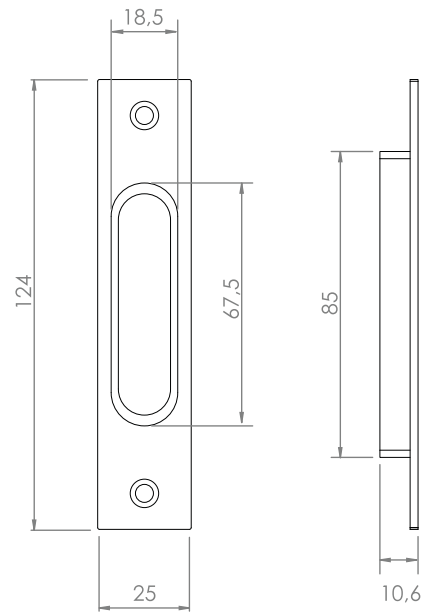


Handles For uPVC

Other Handles



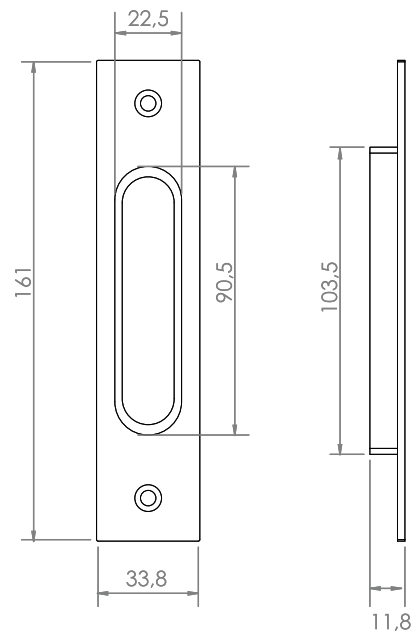
● Sliding Handle (POOL) Inlaid Small



| | | Qty. | Kg |
|-----------------|---|------|------|
| 00.TSA024.00.00 | 2 | 200 | 6.15 |

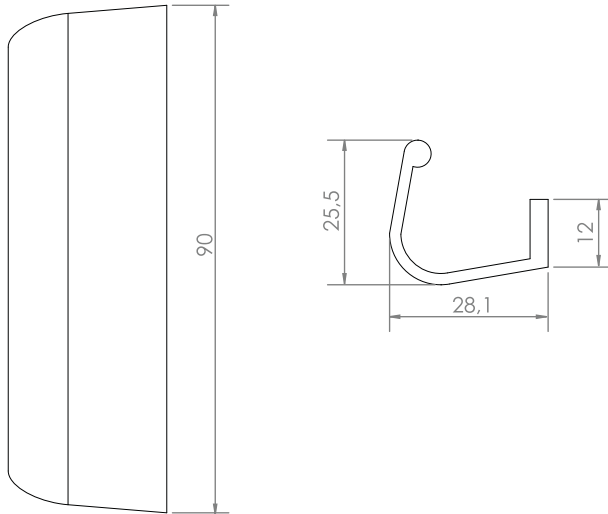





● Sliding Handle (POOL) Inlaid Big



| | | Qty. | Kg |
|-----------------|---|------|-----|
| 00.TSA025.00.00 | 2 | 100 | 6.2 |

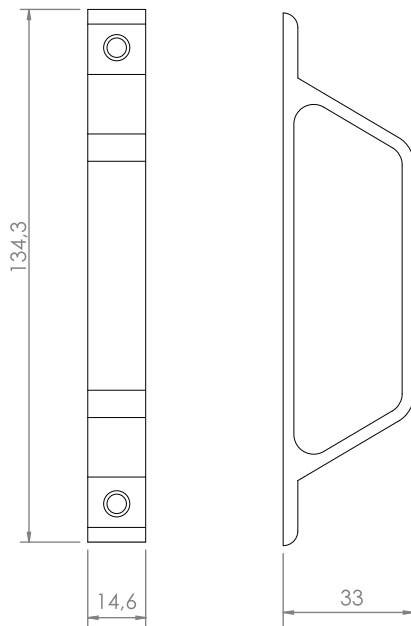
Sliding Handle C Type ●






|  |  | Qty.  | Kg |
|---|---|--|------|
| 00.TSA013.00.00 | 2 | 250 | 7,65 |



Sliding Handle D Type ●

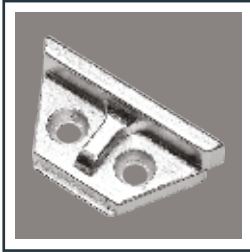


|  |  | Qty.  | Kg |
|---|---|--|------|
| 00.TSA023.00.00 | 2 | 250 | 9,50 |



Strikers

- Strikers



00.IZK001.00.00
Pakpen



00.IZK002.00.00
Firatpen Single



00.IZK002.00.00 ECO
Firatpen Single Eco



00.IZK003.00.00
Firatpen Double



00.IZK004.00.00
Pimaş 6000



00.IZK004.00.00 ECO
Pimaş 6000 Eco



00.IZK005.00.00
Pimaş 4500



00.IZK005.00.00 ECO
Pimaş 4500 Eco



00.IZK006.00.00
Asaş Pen Window Double



00.IZK007.00.00
Asaş Pen Window Single



00.IZK008.00.00
Asaşpen Door



00.IZK009.00.00
Asaş Pen Eco 5200



00.IZK010.00.00
Asaş Pen 6040



00.IZK011.00.00
Akapen Astra



00.IZK012.00.00
Akapen Vega Double



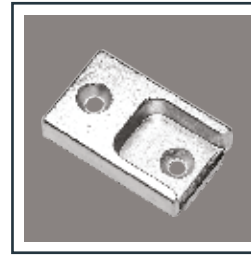
00.IZK013.00.00
Europen



00.IZK013.00.00
Everest



00.IZK015.00.00
Filpen



00.IZK016.00.00
Kompem Door



00.IZK018.00.00
BR Yıldız



00.IZK020.00.00
Pimaş 6000 Double Hole



00.IZK020.00.00 ECO
Pimaş 6000 Double Hole ECO



00.IZK021.00.00
Pimaş 4500 Double Hole



00.IZK021.00.00 ECO
Pimaş 4500 Double Hole Eco



00.IZK022.00.00
Alfapen Armada



00.IZK023.00.00
Double Sash Striker. ST34



00.IZK024.00.00
Plastline



00.IZK026.00.00
Kompem Termoline



00.IZK029.00.00
Aplas



00.IZK032.00.00
Egepen Max Zendow



00.IZK037.00.00
Pakpen Global



00.IZK040.00.00
Pakpen Global New



00.IZK041.00.00
Aluminium Profile Striker 13Axis



00.IZK042.00.00
Aluminium Profile Striker 9 Axis



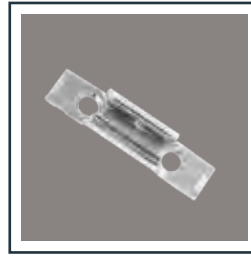
00.TSA013.00.00
Metal Sliding Striker
Of Espag. (Universal)



00.TSA014.00.00
Zinc Striker For Opening
Of Espag. (Adopen)



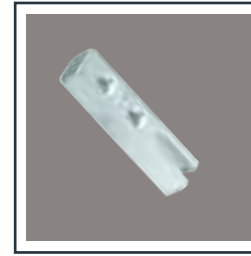
00.TSA020.00.00
Metal Sliding Striker
Of Espag.(Universal)
Plastic



00.TSA032.00.00
Metal Sliding Striker
Of Espag.(Universal)
With Claw



00.TSA035.00.00
Zinc Striker For Opening
Of Espag. (Firatpen) New



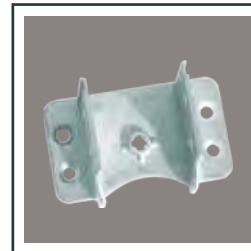
Mullion Connectors

- Mullion Connectors



22 MM = 00.SOB130.00.00
 24 MM = 00.SOB129.00.00
 26 MM = 00.SOB128.00.00
 28 MM = 00.SOB127.00.00
 30 MM = 00.SOB126.00.00
 32 MM = 00.SOB125.00.00
 34 MM = 00.SOB117.00.00
 36 MM = 00.SOB118.00.00
 38 MM = 00.SOB120.00.00

Steel Mullion Connectors



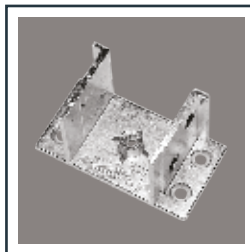
00.ZOB114.00.00
 Pakpen Eko 60



00.ZOB115.00.00
 Pakpen 60-70 Integral



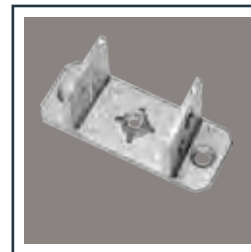
00.ZOB001.00.00
 Pimaş General



00.ZOB005.00.00
 Teknoplast Startec



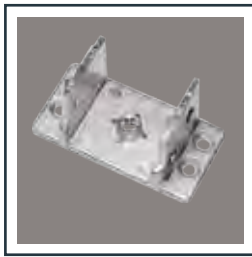
00.ZOB007.00.00
 Taurus Best



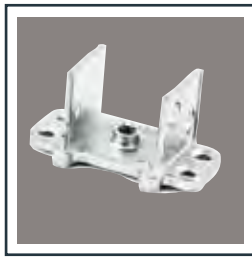
00.ZOB009.00.00
 Asaşpen 5200 Eco



00.ZOB010.00.00
 Shönline Linex 60-70



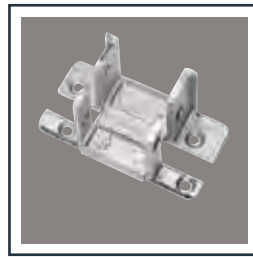
00.ZOB013.00.00
Euroline



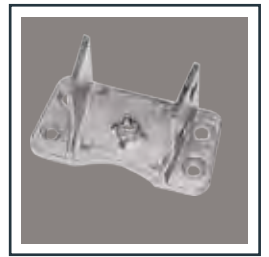
00.ZOB014.00.00
Fratpen 6060



00.ZOB015.00.00
Teraplast 6 Section



00.ZOB016.00.00
Kompen200 Superline



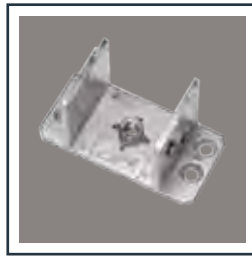
00.ZOB017.00.00
Windoline



00.ZOB020.00.00
Asaşpen 6022



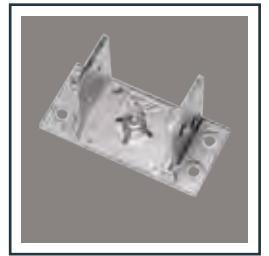
00.ZOB021.00.00
Erpen Smartline 62



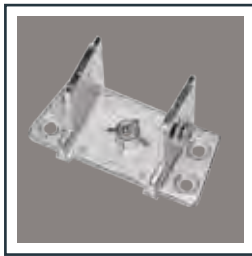
00.ZOB022.00.00
Flashpen



00.ZOB023.00.00
Pentech



00.ZOB024.00.00
Taurus Silver



00.ZOB026.00.00
Worldpen



00.ZOB027.00.00
Schönline 6000



00.ZOB028.00.00
Plasline



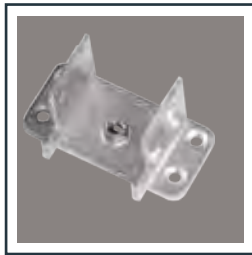
00.ZOB029.00.00
Fratpen 7060



00.ZOB030.00.00
Vinka 6000



00.ZOB031.00.00
Erpen Extraline 54



00.ZOB032.00.00
Kompen 600 Termoline



00.ZOB033.00.00
Alfapen Armada



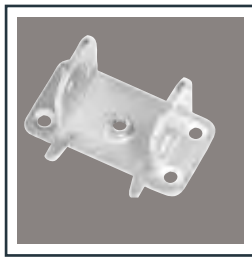
00.ZOB034.00.00
Saraypen Dar



00.ZOB035.00.00
Polipen 603 Dar



00.ZOB036.00.00
Polipen 603 Wide



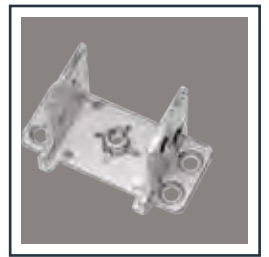
00.ZOB037.00.00
Vivaplast



00.ZOB038.00.00
Pakpen Global Narrow



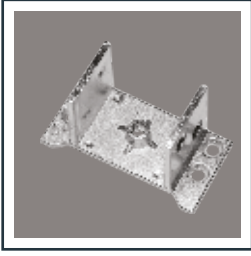
00.ZOB039.00.00
Pakpen Global Wide



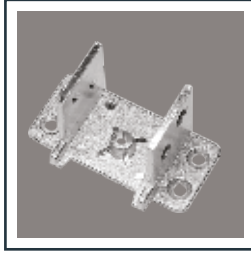
00.ZOB040.00.00
Proline 6000

Mullion Connectors

● Mullion Connectors



00.ZOB041.00.00
Tecnoplast Megatec



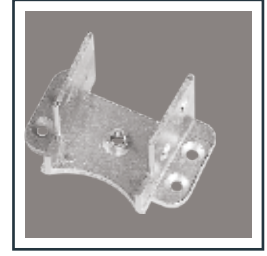
00.ZOB042.00.00
Keban Hazal



00.ZOB043.00.00
Erpen Sembol



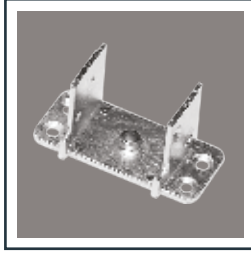
00.ZOB044.00.00
Erpen Trend 62



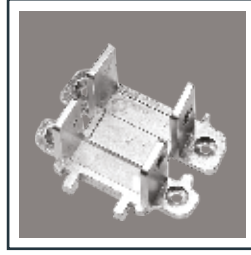
00.ZOB045.00.00
Europen 7000



00.ZOB046.00.00
Tecnoplast Yeni Supertec



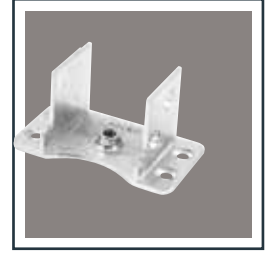
00.ZOB047.00.00
Saraypen Wide



00.ZOB051.00.00
Egepen Zendow



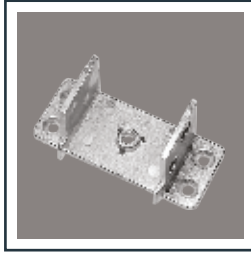
00.ZOB053.00.00
Enderpen Masterline



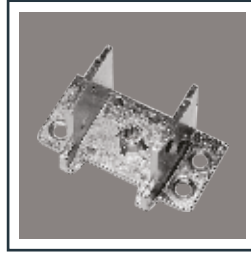
00.ZOB054.00.00
Enderpen Vizyonline



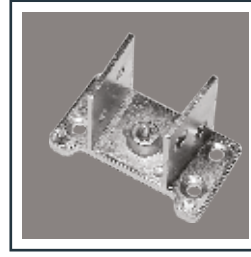
00.ZOB055.00.00
Erpen Combiline 72



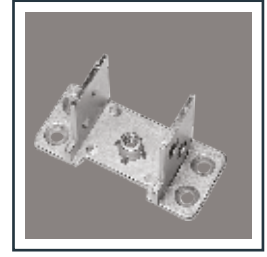
00.ZOB056.00.00
Europen Elit



00.ZOB061.00.00
Natural 6000 Trova



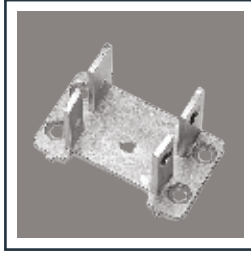
00.ZOB065.00.00
Pensa Bonus



00.ZOB072.00.00
Forza 5200 Eco



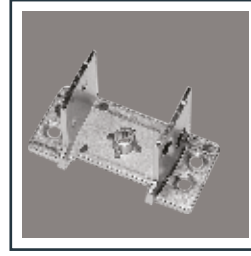
00.ZOB075.00.00
Firatpen 7060 Eco



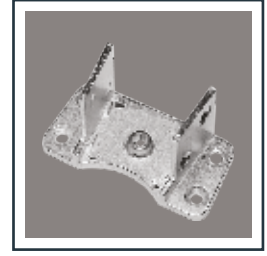
00.ZOB076.00.00
Egepen Max



00.ZOB077.00.00
Arwin



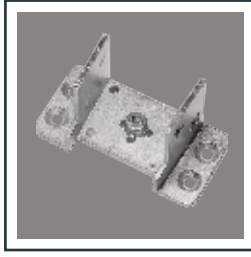
00.ZOB078.00.00
Winapex 6004



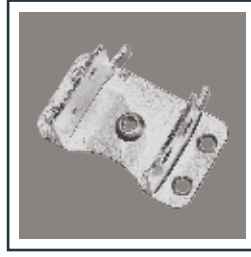
00.ZOB079.00.00
Uniplast 6000-7000



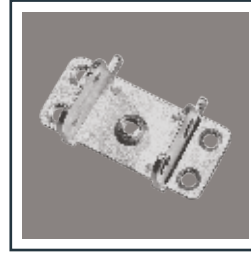
00.ZOB081.00.00
Uniplast Ecolim



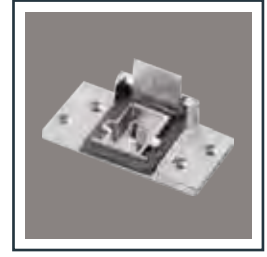
00.ZOB082.00.00
Karpen



00.ZOB083.00.00
Pakpen Rival



00.ZOB085.00.00
WinTurk



00.ZOB086.00.00
Vivaplast



00.ZOB087.00.00
Aplas



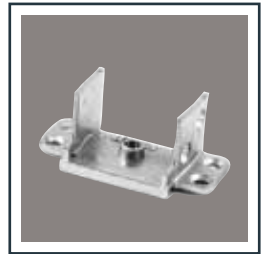
00.ZOB088.00.00
Aplas 7000



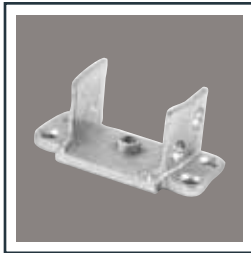
00.ZOB089.00.00
Teraplast 4 Section



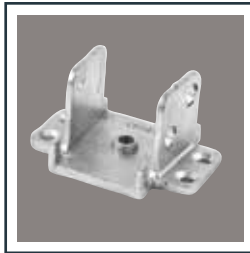
00.ZOB090.00.00
Pakpen Ideal



00.ZOB091.00.00
Firat 7000 Eco New



00.ZOB092.00.00
Propen 6000



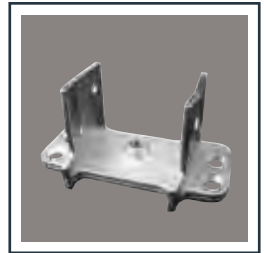
00.ZOB093.00.00
Pakpen Royal



00.ZOB094.00.00
Erpen Trend Eco



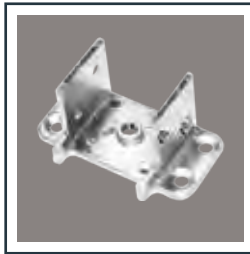
00.ZOB095.00.00
Eurofasad



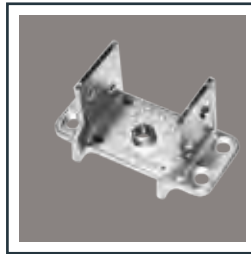
00.ZOB096.00.00
Europen 7000 Eco



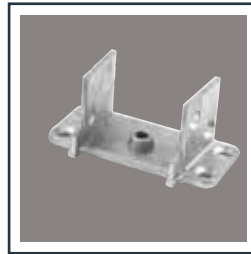
00.ZOB097.00.00
Worldpen 6000 Eco



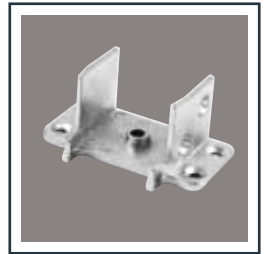
00.ZOB098.00.00
Pentech Eco



00.ZOB099.00.00
Alfapen Armada Eco



00.ZOB100.00.00
Erpen Smartline Eco



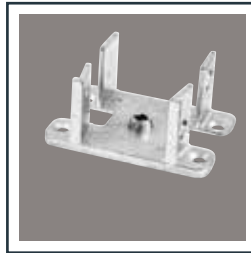
00.ZOB101.00.00
Propen 7000



00.ZOB102.00.00
Eurotech Eco Narrow



00.ZOB103.00.00
Enderpen Clascompact



00.ZOB104.00.00
Pakpen Optimal



00.ZOB105.00.00
Slide Flyscreen



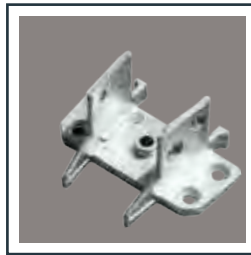
00.ZOB106.00.00
Teraplast 7 Section



00.ZOB107.00.00
New Firat 6070



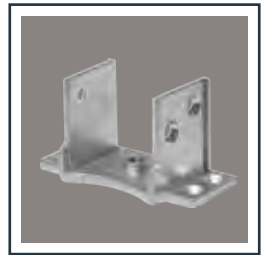
00.ZOB109.00.00
Firat S75 / Garnet 70



00.ZOB111.00.00
Firat Selenit



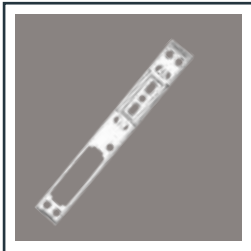
00.ZOB111.00.00 ECO
Firat S 75 Selenit



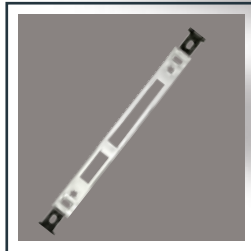
00.ZOB112.00.00
Asapen 6040

Locking Plates

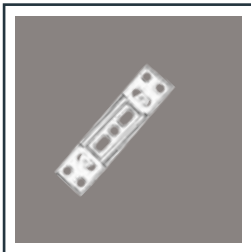
- Locking Plates



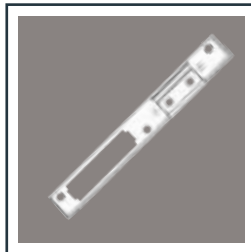
00.TKK001.00.00
 Universal Adjustable Latch
 And Deadbolt Plate
 Zinc



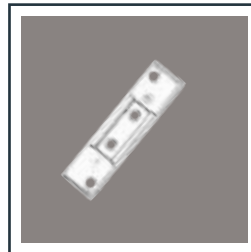
00.AAA021.00.00
 Adjustable Latch & Deadbolt
 Plate For Euro Groove
 Aluminium Profiles



00.TKK002.00.00
 Adjustable Latch Plate
 Zinc



00.TKK010.00.00
 Adjustable Latch And
 Deadbolt Plate
 Iron Sheet



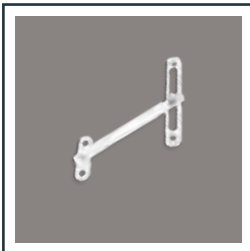
00.TKK009.00.00
 Adjustable Latch Plate
 Iron Sheet



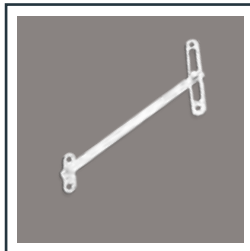
00.TKK011.00.00
 Universal Adjustable Latch
 And Deadbolt Plate
 Iron Sheet / Plastic Body



00.TKK012.00.00
 Universal Adjustable Latch
 And Deadbolt Plate
 Zinc / Plastic Body



00.VVV005.00.01
Transom Scissors 13cm
Iron Sheet



00.VVV006.00.01
Transom Scissors 22cm
Iron Sheet



00.VVV003.00.01
Transom Locked
Aluminium



00.PLS021.00.01
Adjustable Transom Lock
Plastic



00.VVV007.00.00
Transom Scissors
Steel



00.VVV0087.00.00
Folding Transom Scissors 13cm
Steel



00.VVV004.00.00
Balcony Door Fastener



00.VVV009.00.00
Balcony Door Fastener
Plastic Body
9 Axis



00.VVV010.00.00
Balcony Door Fastener
Plastic Body
13 Axis

Sliding Accessories

● Sliding Accessories



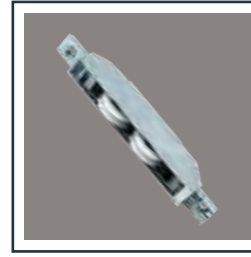
00.TSA001.00.00
Sliding Roller
Big
Polyamide



00.TSA008.00.00
Sliding Roller
Big
Brass



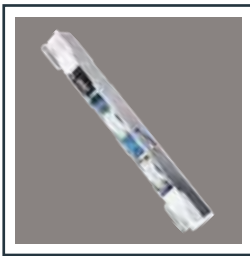
00.TSA003.00.00 Pimaş
Sliding Roller



00.TSA038.00.00 Egepen
Sliding Roller
Double Wheels Polyamide
Polyamide



00.TSA006.00.00
Sliding Roller
Small Single Wheel Brass



00.TSA002.00.00
Sliding Roller
Double Wheels Polyamide
Iron Sheet



00.TSA019.00.00
Sliding Roller
Double Wheels
Iron Sheet



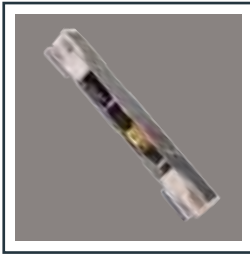
00.TSA028.00.00
Sliding Roller
Double Wheels Brass Import
Iron Sheet



00.TSA017.00.00
Sliding Roller
Single Wheels Polyamide
Iron Sheet



00.TSA018.00.00
Sliding Roller
Single Wheels
Iron Sheet



00.TSA029.00.00
Sliding Roller
Single Wheels Brass Import
Iron Sheet



00.TSA026.00.00
Sliding Roller
Adjustable Double Wheels



00.TSA034.00.00
Sliding Roller
Adjustable Single Wheels



00.TSA037.00.00
Double Door Sliding
Left-Right
Iron Sheet



00.TSA039.00.00
Double Window Sliding
Up - Down
Plastic Body



00.TSA009.00.00
Double Door Sliding
Up - Down
Iron Sheet



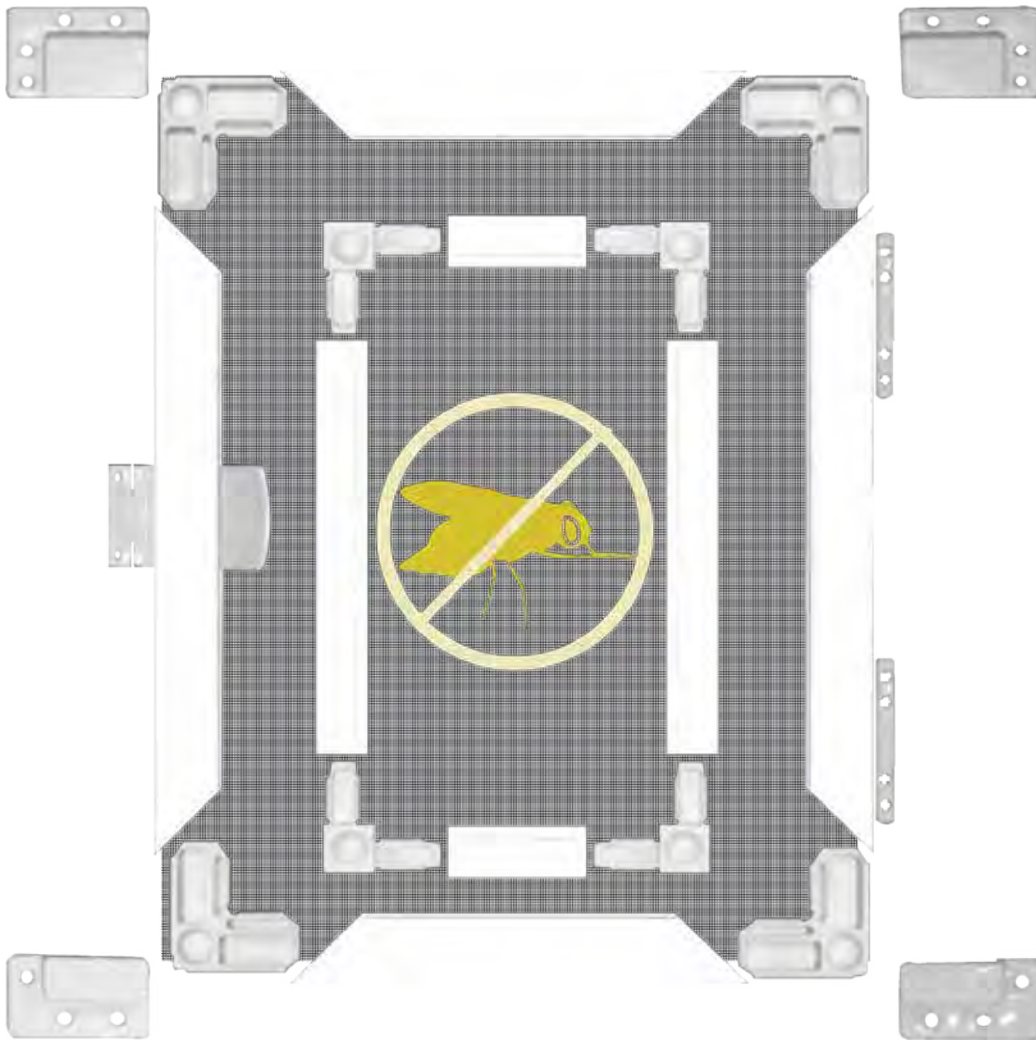
00.TSA010.00.00
Double Window Sliding
Up - Down
Iron Sheet



00.TSA011.00.00
Double Window Sliding
Left-Right
Zinc



00.TSA012.00.00
Double Door Sliding
Left-Right
Steel



00.ASG001.00.01



00.ASG002.00.01



00.ASG003.00.01



00.ASG004.00.01



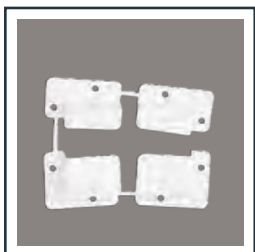
00.ASG005.00.01



00.ASG006.00.01



00.ASG007.00.01



00.ASG008.00.01



00.ASG024.00.01



00.ASG029.00.01



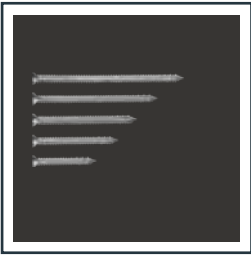
00.ASG044.00.01 / 10X20
00.ASG030.00.01 / 10X25



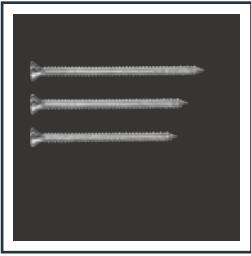
00.ASG031.00.01

Screw Group

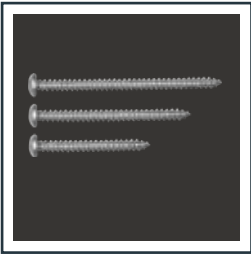
• Screw Group



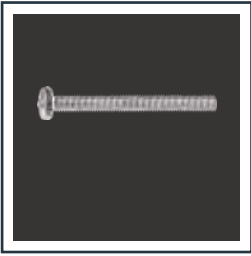
00.AKV475.02.00 / 7,5 x 80
00.AKV475.03.00 / 7,5 x 100
00.AKV475.04.00 / 7,5 x 120
00.AKV475.05.00 / 7,5 x 150
00.AKV475.06.00 / 7,5 x 180
Montage Screw Buldex



00.AKV560.01.00 / 6 x 60
00.AKV560.02.00 / 6 x 80
00.AKV560.03.00 / 6 x 100
YHB Rare Thread



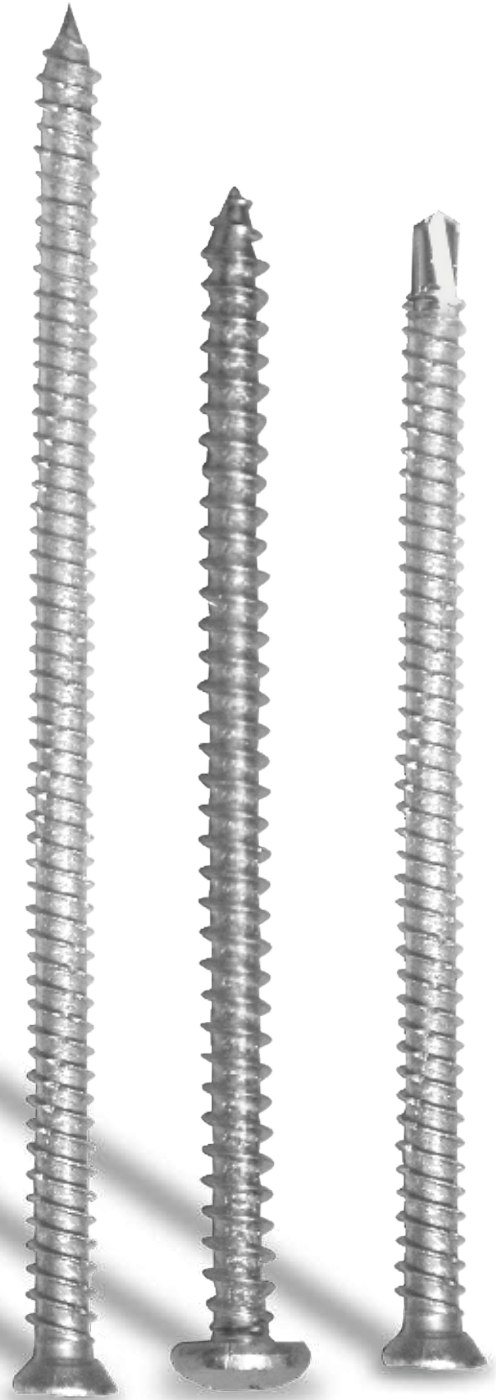
00.AKV660.01.00 / 6 x 60
00.AKV660.02.00 / 6 x 80
00.AKV660.03.00 / 6 x 100
YSB Rare Thread



00.AKV760.01.00 / M6 x 60
YSB Metric Thread



00.DBL002.00.00 / 80 mm
00.DBL003.00.00 / 100 mm
Steek Anchor





00.IZO001.00.00



00.IZO002.00.00



00.IZO003.00.00



00.THI001.00.00 Thiokol -A
00.THI002.00.00 Thiokol -B



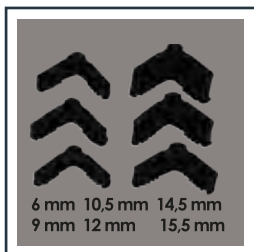
00.TPS010.00.00
Thin Glass Wedge



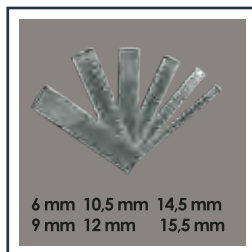
00.TPS013.00.00
Middle Glass Wedge



00.TPS015.00.00
Glass Wedge / Refracted



00.TCM004.01.00



00.TCM003.01.00



00.TCM020.00.00
Silikagel



00.CNT002.00.00
Gasket Scissors

Other Accessories

- Other Accessories



AIRVENT

| | | | |
|-----------------|---------|-----------------|---------|
| 00.MNF001.00.00 | 35 x 40 | 00.MNF008.00.00 | 55 x 64 |
| 00.MNF002.00.00 | 40 x 44 | 00.MNF009.00.00 | 49 x 68 |
| 00.MNF003.00.00 | 40 x 52 | 00.MNF010.00.00 | 58 x 60 |
| 00.MNF004.00.00 | 45 x 48 | 00.MNF011.00.00 | 28 x 28 |
| 00.MNF005.00.00 | 45 x 56 | 00.MNF012.00.00 | 55 x 56 |
| 00.MNF006.00.00 | 49 x 52 | 00.MNF013.00.00 | 30 x 50 |
| 00.MNF007.00.00 | 45 x 64 | 00.MNF014.00.00 | 50 x 30 |



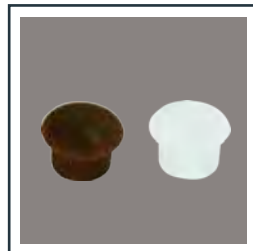
00.TPS020.00.00 / 24 mm
Adjustable Glass Wedge



0.TPS019.00.00 / 18 mm
Adjustable Glass Wedge



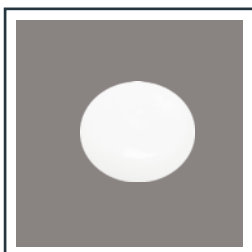
00.TPS018.00.00
Plastic Anchor 8mm



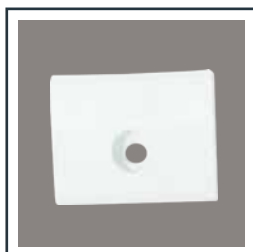
00.TPS016.00.01
Assembly Cover 12mm



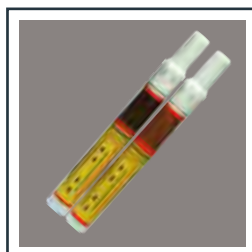
00.TPS011.00.01
Drainage Cover



00.TPS012.00.01
Buldex Screw Cover



00.TPS017.00.01
Sash Lifer Check



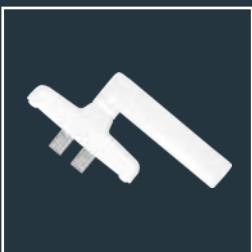
Retouch Marker



00.TFL001.00.00
Teflon Stickable



00.TFL002.00.00
Teflon Non-Stickable



01.AAA003.00.01
Window Handle
For Fixed Facades
Double Fork Leaf



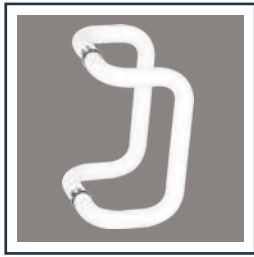
01.AAA009.00.01
Cremone Handle
Single Fork Leaf



01.AAA021.00.00
Adjustable Latch & Deadbolt
Plate For Euro Groove
Aluminium Profiles

Aluminium Door and Window Accessories

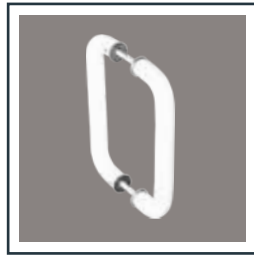
Aluminium Door and Window Accessories



| Code | ∅ | A |
|-----------------|----|-----|
| 00.AAK100.00.01 | 25 | 200 |
| 00.AAK101.00.01 | 25 | 300 |
| 00.AAK102.00.01 | 25 | 400 |
| 00.AAK104.00.01 | 30 | 300 |
| 00.AAK105.00.01 | 30 | 400 |



| Code | ∅ | A |
|-----------------|----|-----|
| 00.AAK200.00.01 | 25 | 200 |
| 00.AAK201.00.01 | 25 | 300 |
| 00.AAK203.00.01 | 30 | 300 |



| Code | ∅ | A |
|-----------------|----|-----|
| 00.AAK300.00.01 | 25 | 200 |
| 00.AAK301.00.01 | 30 | 200 |



00.AAK402.00.01



00.AAK403.00.01



00.AAK412.00.01



00.AAK400.00.01



00.AAK401.00.01



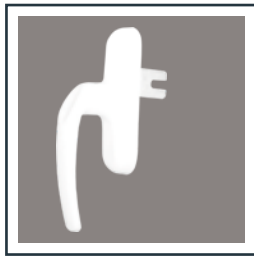
00.AAK404.00.01



00.AAK405.00.01



00.AAK406.00.01



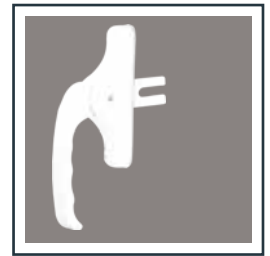
00.AAK407.00.01



00.AAK408.00.01



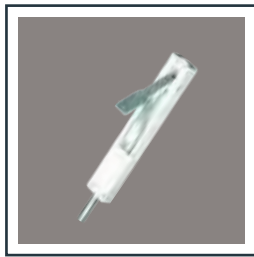
00.AAK409.00.01



00.AAK410.00.01



00.AAK411.00.01



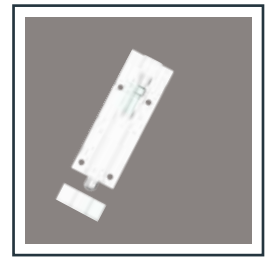
00.AAK500.00.01



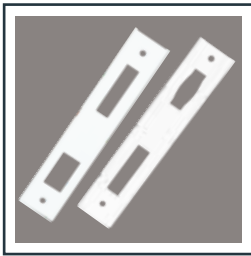
00.AAK501.00.01



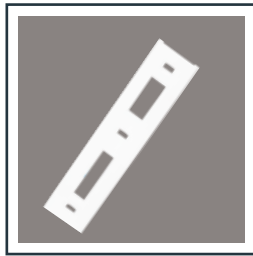
00.AAK502.00.01



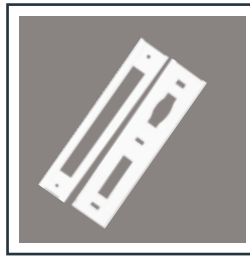
00.AAK503.00.01



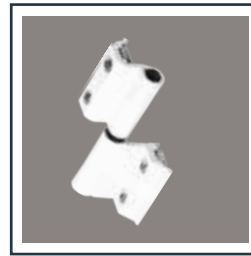
00.AAK600.00.01
00.AAK601.00.01



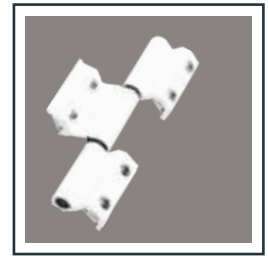
00.AAK602.00.01



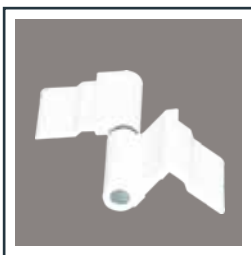
00.AAK603.00.01



00.AAK704.00.01



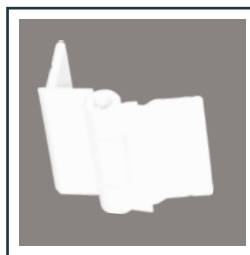
00.AAK705.00.01



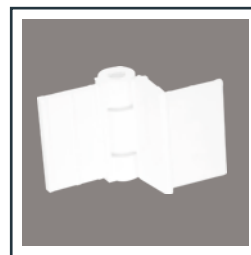
00.AAK700.00.01



00.AAK701.00.01



00.AAK702.00.01



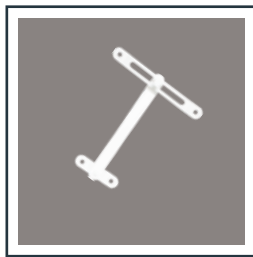
00.AAK708.00.01



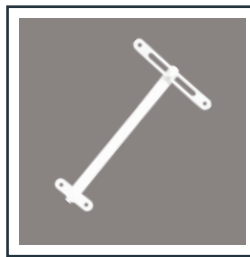
00.AAK706.00.01



00.AAK800.00.01



00.AAK801.00.01



00.AAK802.00.01



00.AAK803.00.01



00.AAK900.00.01



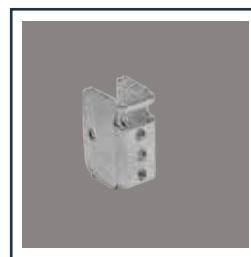
00.AAK904.00.01



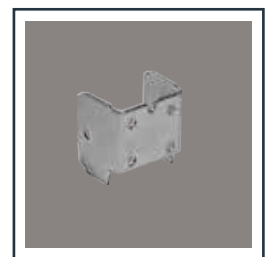
00.AAK901.00.01



00.AAK905.00.01



00.AAK902.00.01

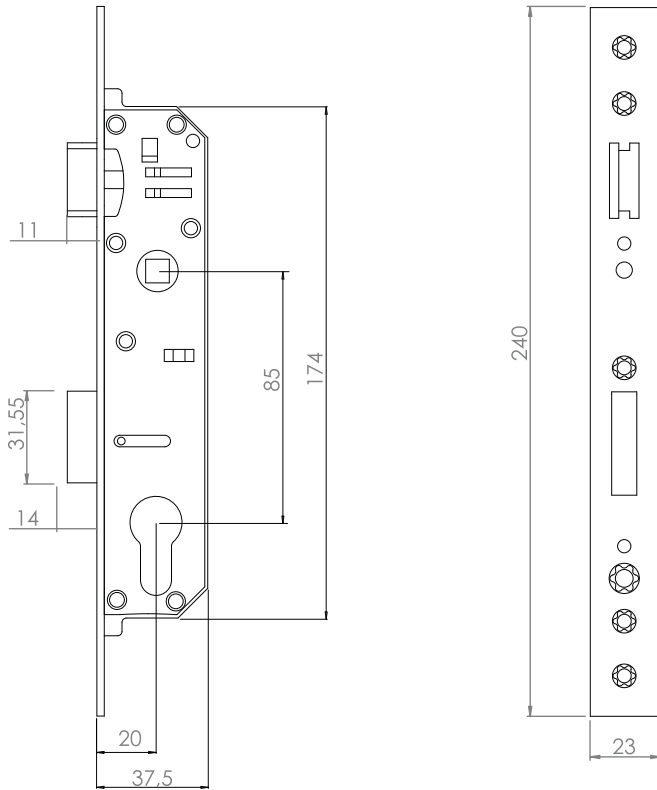




00.AAK903.00.01

Mortice Locks For Aluminium

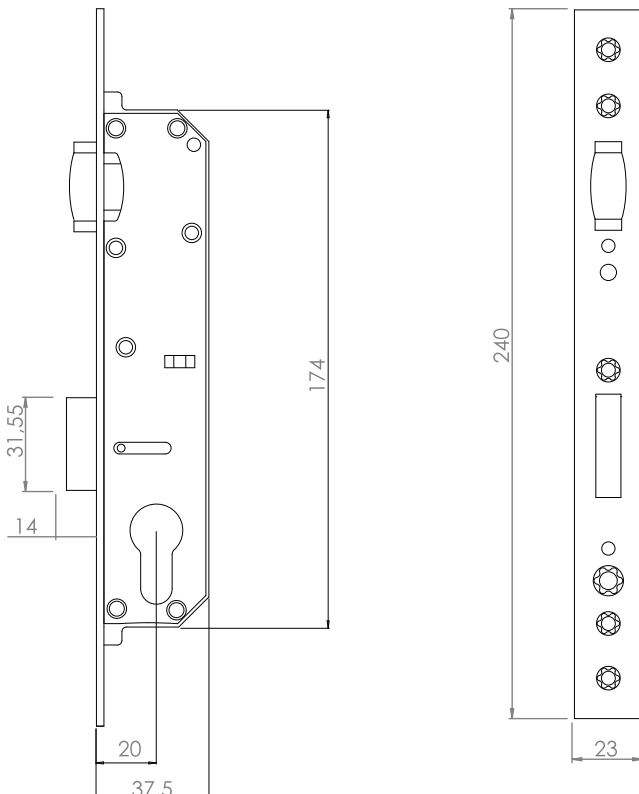
- Plastic Lock Case - Metal Cover Locks



- PZ: 85 mm Backset: 20 mm



|  | Qty.  | Kg |
|--|--|------|
| 01.KIL011.00.00 | 40 | 9,50 |

- Backset: 20 mm





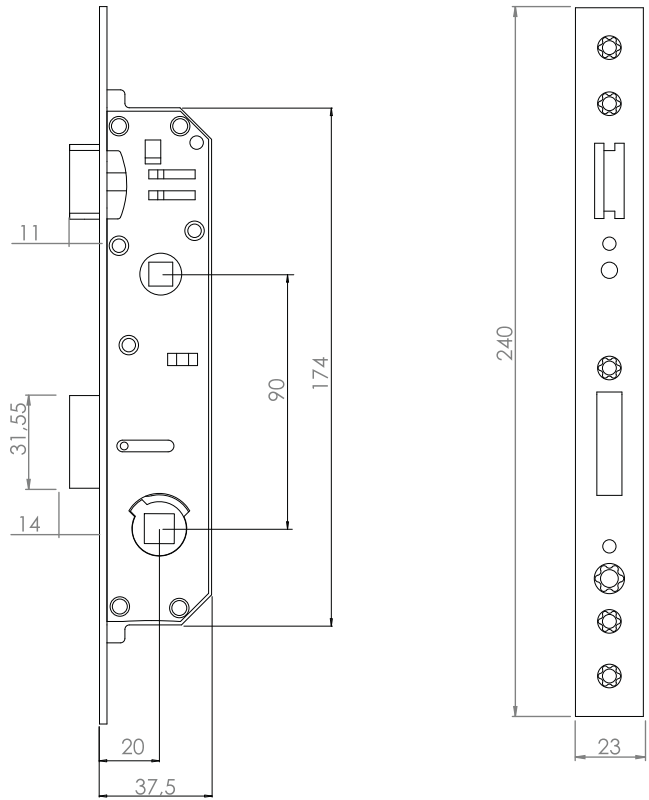
|  | Qty.  | Kg |
|--|--|-------|
| 01.KIL013.00.00 | 40 | 12,50 |

Mortice Locks For Aluminium



Plastic Lock Case - Metal Cover Locks ●

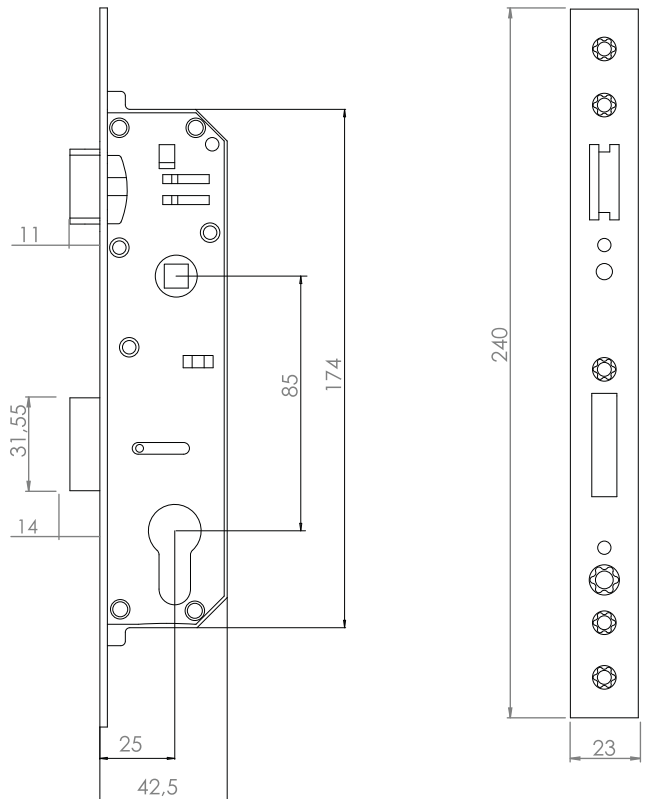
PZ: 90 mm Backset: 20 mm ●

|  | Qty.  | Kg |
|---|--|----|
| 01.KIL039.00.00 | 40 | - |



PZ: 85 mm Backset: 25 mm ●

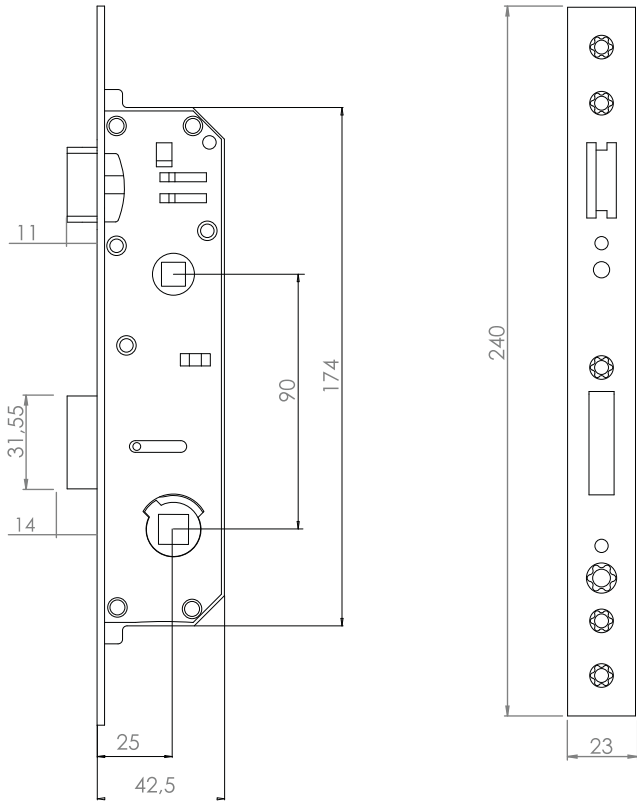
|  | Qty.  | Kg |
|---|--|-------|
| 01.KIL012.00.00 | 40 | 13,00 |





Mortice Locks For Aluminium

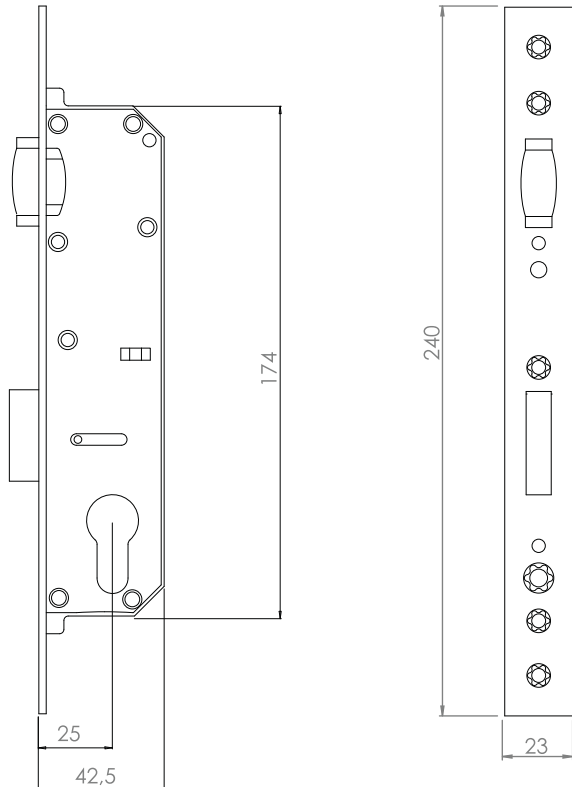
- Plastic Lock Case - Metal Cover Locks



- PZ: 90 mm Backset: 25 mm



|  | Qty.  | Kg |
|---|--|----|
| 01.KIL037.00.00 | 40 | - |

- Backset: 25 mm





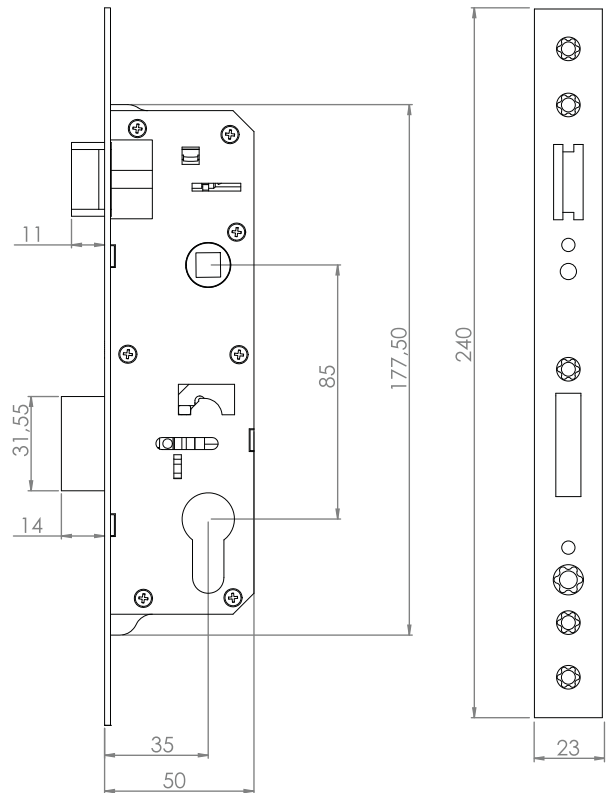
|  | Qty.  | Kg |
|---|--|--------|
| 01.KIL014.00.00 | 40 | 112.50 |

Mortice Locks For Aluminium



Plastic Lock Case - Metal Cover Locks ●

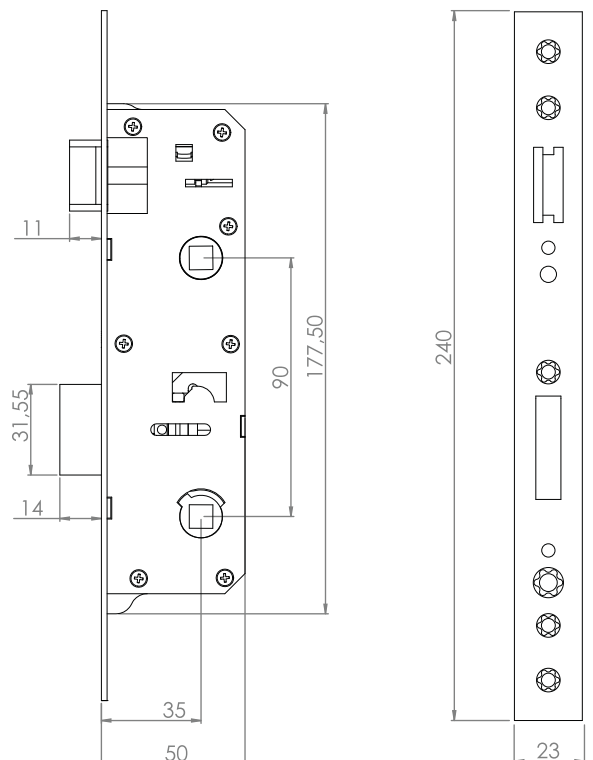
PZ: 85 mm Backset: 35 mm ●

|  | Qty.  | Kg |
|---|--|----|
| 01.KIL038.00.00 | 40 | - |



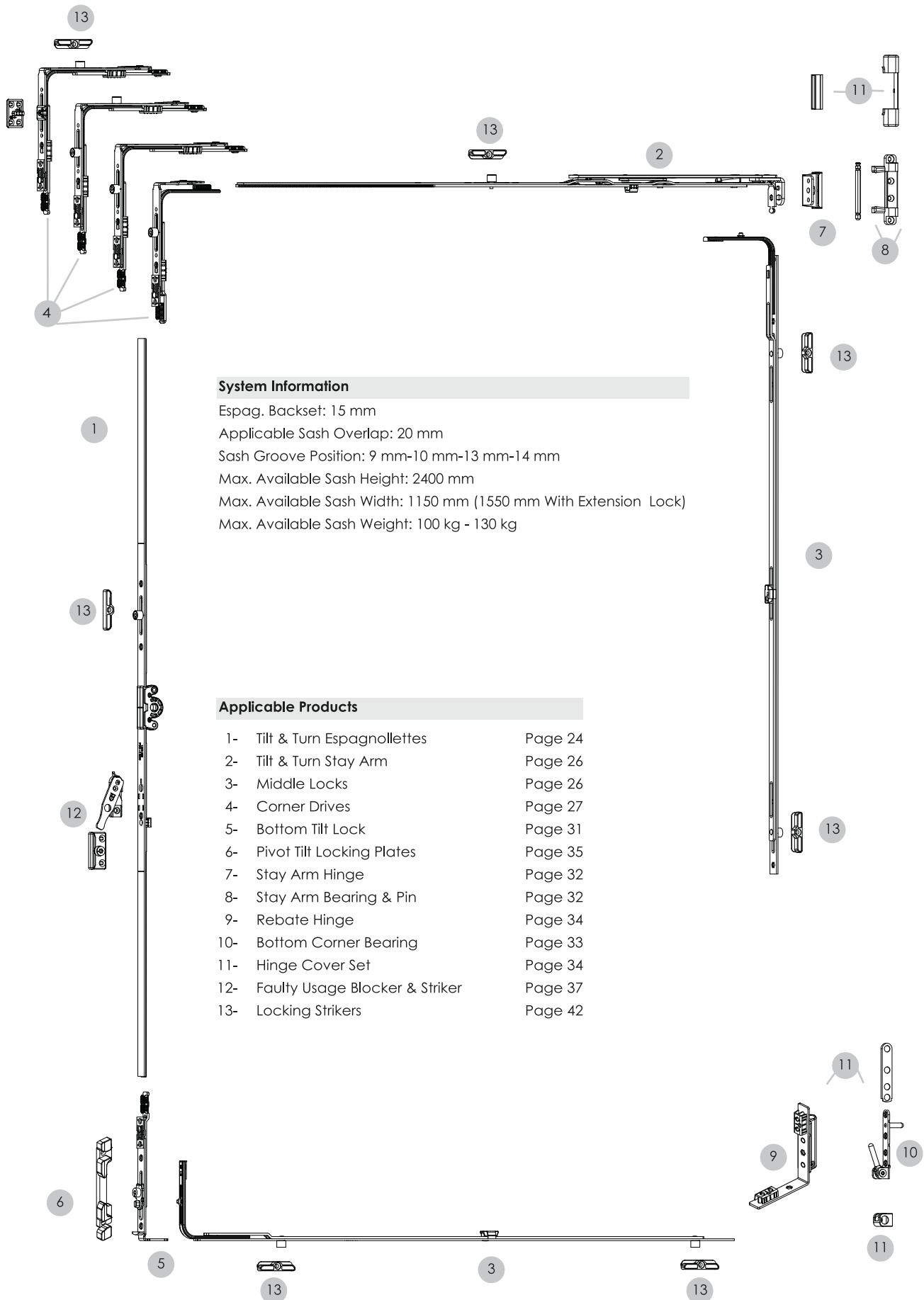
PZ: 90 mm Backset: 35 mm ●

|  | Qty.  | Kg |
|---|--|--------|
| 01.KIL036.00.00 | 40 | 112,50 |



Tilt And Turn Systems For Aluminium

● 15 mm Backset

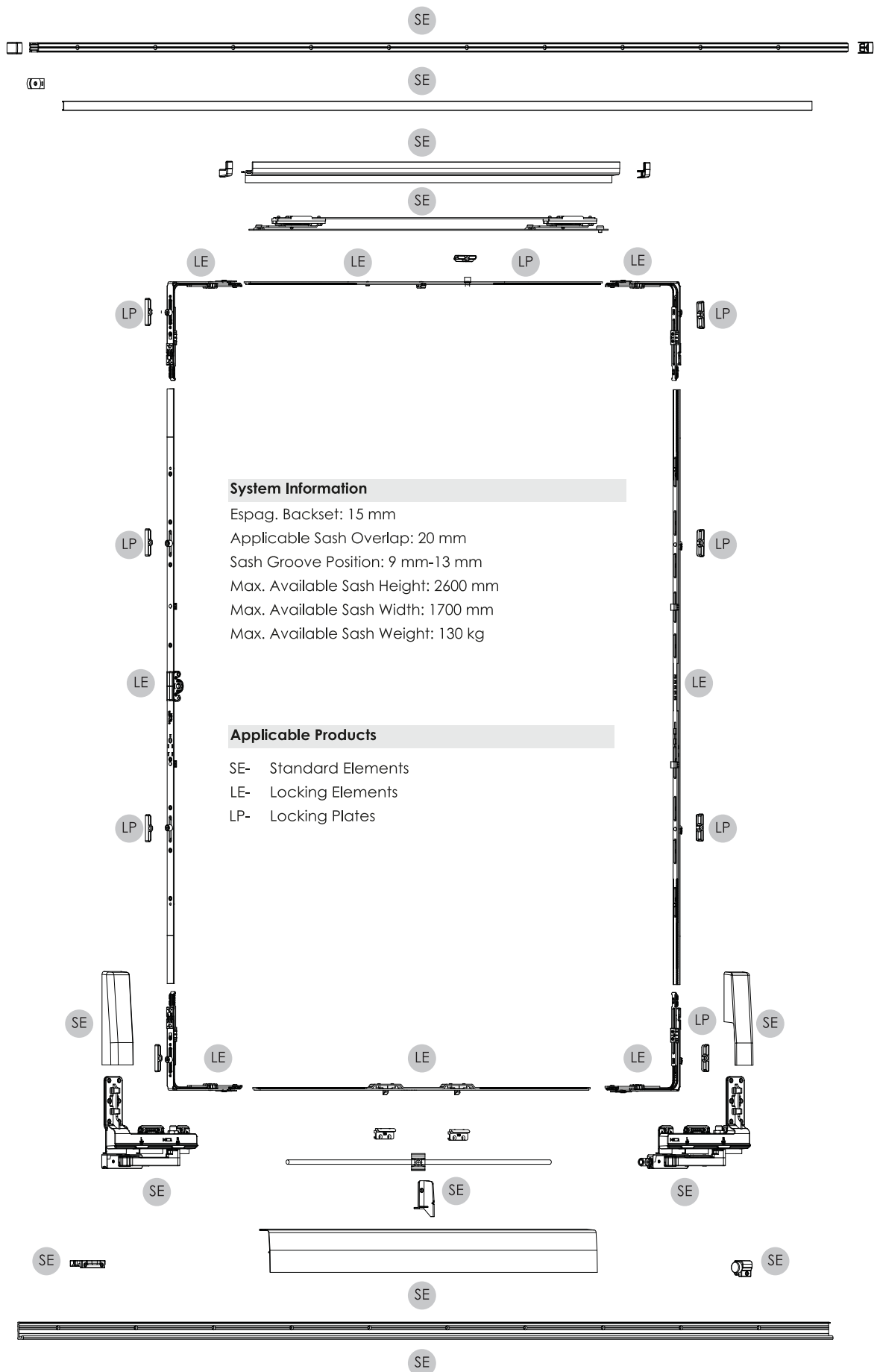


System Information

Espag. Backset: 15 mm
 Applicable Sash Overlap: 20 mm
 Sash Groove Position: 9 mm-10 mm-13 mm-14 mm
 Max. Available Sash Height: 2400 mm
 Max. Available Sash Width: 1150 mm (1550 mm With Extension Lock)
 Max. Available Sash Weight: 100 kg - 130 kg

Applicable Products

| | | |
|-----|--------------------------------|---------|
| 1- | Tilt & Turn Espagnollettes | Page 24 |
| 2- | Tilt & Turn Stay Arm | Page 26 |
| 3- | Middle Locks | Page 26 |
| 4- | Corner Drives | Page 27 |
| 5- | Bottom Tilt Lock | Page 31 |
| 6- | Pivot Tilt Locking Plates | Page 35 |
| 7- | Stay Arm Hinge | Page 32 |
| 8- | Stay Arm Bearing & Pin | Page 32 |
| 9- | Rebate Hinge | Page 34 |
| 10- | Bottom Corner Bearing | Page 33 |
| 11- | Hinge Cover Set | Page 34 |
| 12- | Faulty Usage Blocker & Striker | Page 37 |
| 13- | Locking Strikers | Page 42 |



System Information

Espag. Backset: 15 mm
 Applicable Sash Overlap: 20 mm
 Sash Groove Position: 9 mm-13 mm
 Max. Available Sash Height: 2600 mm
 Max. Available Sash Width: 1700 mm
 Max. Available Sash Weight: 130 kg

Applicable Products

- SE- Standard Elements
- LE- Locking Elements
- LP- Locking Plates

Subject:

A large grid of graph paper with a vertical ruler on the left side. The grid consists of 20 columns and 25 rows of small squares. The ruler on the left is marked in centimeters, ranging from 0 to 20.



akpen®
New Line

“SALES POINTS”



35^{yıl}
years

www.akpennew.com



akpen®

New Line

**AKPEN PLASTİK PENCERE
AKSESUARLARI NAKLİYE
SAN. İÇ VE DİŞ TİC. A.Ş.**

 facebook.com/akpennew
 instagram.com/akpennew
 info@akpennew.com
 www.akpennew.com

Hadimköy Mah. Uçurtma Sk. No:6,
34555 Arnavutköy/İSTANBUL/TÜRKİYE

T: +90 212 798 34 34
F: +90 212 798 35 28
G: +90 533 705 5245

